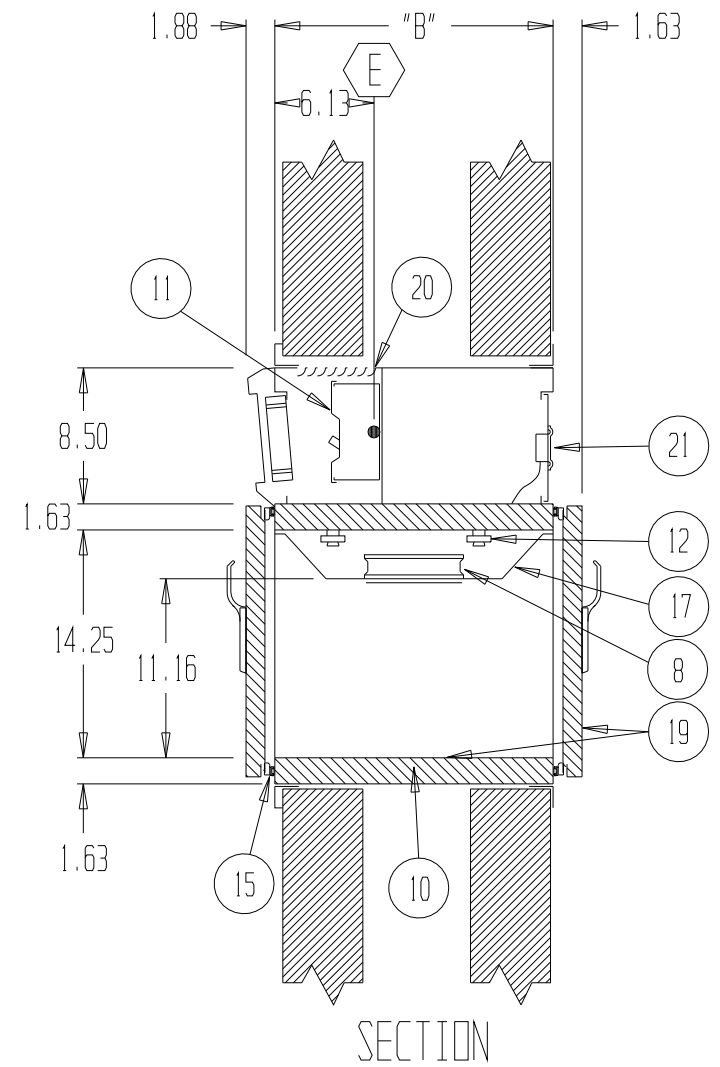
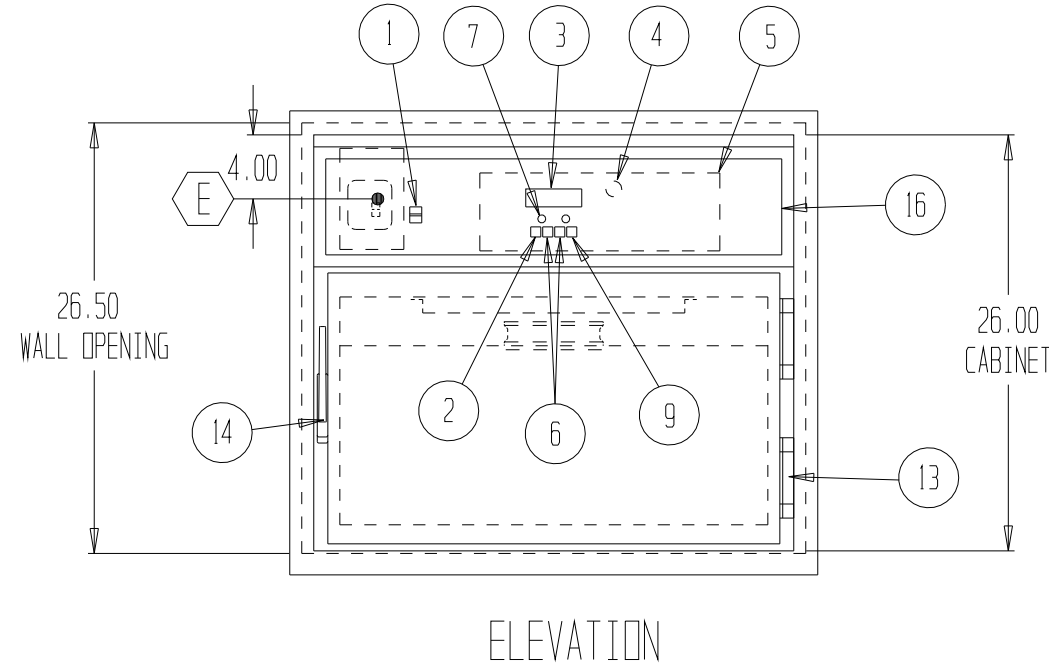
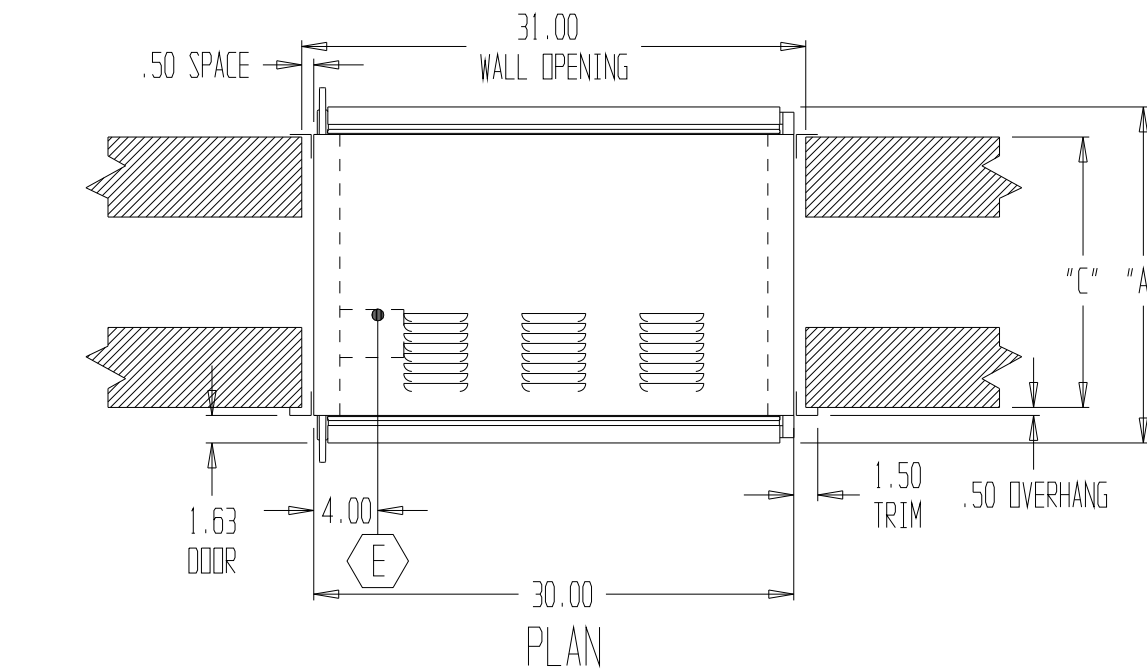


REF	DESCRIPTION
1	LIGHTED POWER SWITCH
2	TEMPERATURE CONVERSION SWITCH (FAREN. TO CELCIUS)
3	DIGITAL TEMPERATURE DISPLAY
4	OVER TEMPERATURE AUDIBLE ALARM
5	PRINTED CIRCUIT BOARD
6	TEMPERATURE ADJUSTING CONTROLS - 80°F TO 180°F RANGE
7	RED OVER TEMPERATURE LIGHT SET AT 180°F AT FACTORY
8	AIR CIRCULATING FAN
9	TEMPERATURE SETTING SWITCH
10	FIBERGLASS INSULATION
11	CIRCUIT BREAKER DISCONNECT
12	ONE (1) ELECTRICAL HEATER (375 WATTS)
13	EDGEMOUNT HINGES
14	EDGEMOUNT LATCH
15	HEAT RESISTANT DOOR GASKET
16	CONTROL PANEL WITH MEMBRANE SWITCHES
17	REMOVABLE HEATER GUARD
18	SPARE NO.
19	18 GA. S/S INTERIOR & EXTERIOR - TYPE 304 - #4 FINISH
20	7/8" DIA. WIRE ENTRY HOLE FOR ELECTRICAL CONNECTION
21	DIAL THERMOMETER, 0° F. TO 220° F. RANGE



OPTIONAL DEPTH			
MODEL	"A" DIMENSION	"B" DIMENSION	"C" DIMENSION
DSW-3AE-18	21	17.50	17
DSW-3AE-24	27	23.50	23

REQUIRED SERVICES	
	120V-60HZ-1PH, 5 AMPS (HARD WIRE)

LOCATION	QUANTITY	D.R./ CONTROL SIDE		CORRIDOR SIDE	
		L. HINGE	R. HINGE	L. HINGE	R. HINGE
D.R. 1	1		R	L	
D.R. 2	1	L		L	
NEURO 4	1	L			R
D.R. 5	1	L			R
D.R. 6	1	L			R
D.R. 7	1		R	L	
D.R. 8	1		R	L	

REVISIONS		
NO.	DATE	BY

CONTINENTAL METAL PRODUCTS CO., INC.
 35 OLYMPIA AVE. - WOBURN, MA. 01888
 PASS-THRU DIGITAL WARMING CABINETS
 DSW-3AE-18PT & DSW-3AE-24PT

SCALE: 1" = 12"	DATE: 09/26/00	DRAWN: PM
SHEET 1 OF 1	SYS 2	DWG NO. CKB-244
		REV