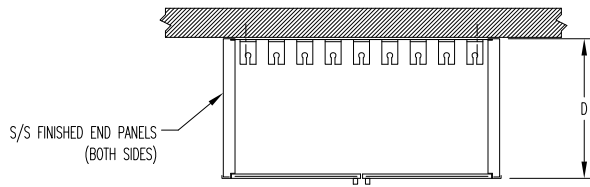
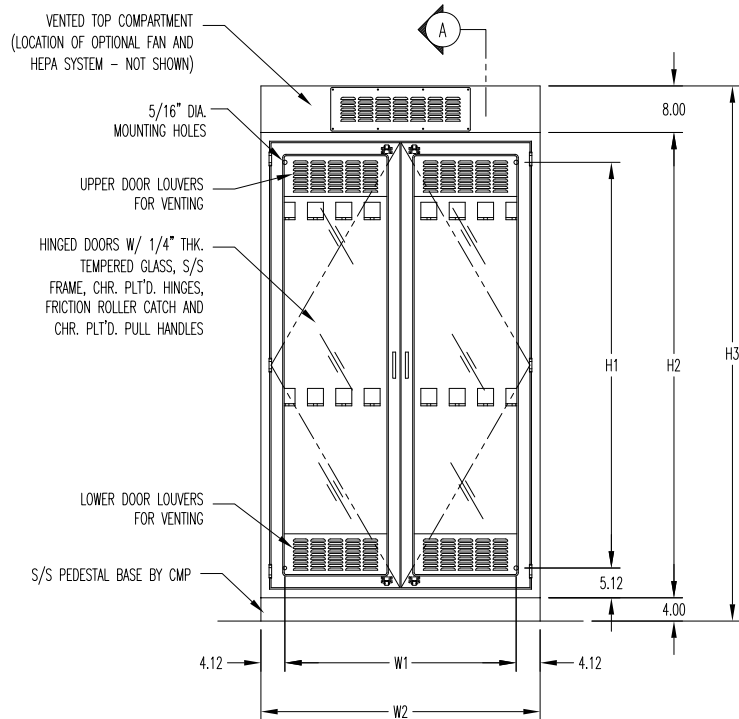


SCOPE HOLDER QUANTITIES AND LOCATIONS PER CUSTOMER REQUIREMENTS

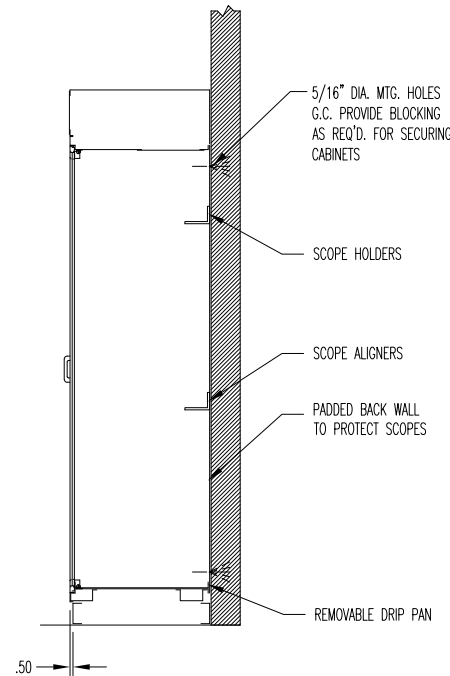
MODEL	W2 (OVERALL WIDTH)	H3 (OVERALL HEIGHT)	D (OVERALL DEPTH)	W1	H1	H2
SC2-3680-18-SD	36"	92"	18"	27.75"	69.75"	80"
SC2-4880-18-SD	48"	92"	18"	39.75"	69.75"	80"
SC2-3680-24-SD	36"	92"	24"	27.75"	69.75"	80"
SC2-4880-24-SD	48"	92"	24"	39.75"	69.75"	80"
SC2-4290-18-SD	42"	102"	18"	33.75"	79.75"	90"
SC2-2472-18-SD	24"	84"	18"	15.75"	61.75"	72"
SC2-3072-18-SD	30"	84"	18"	21.75"	61.75"	72"
SC2-3672-18-SD	36"	84"	18"	27.75"	61.75"	72"
SC2-4272-18-SD	42"	84"	18"	33.75"	61.75"	72"
SC2-4872-18-SD	48"	84"	18"	39.75"	61.75"	72"
SC2-2472-24-SD	24"	84"	24"	15.75"	61.75"	72"
SC2-3072-24-SD	30"	84"	24"	21.75"	61.75"	72"
SC2-3672-24-SD	36"	84"	24"	27.75"	61.75"	72"
SC2-4272-24-SD	42"	84"	24"	33.75"	61.75"	72"
SC2-4872-24-SD	48"	84"	24"	39.75"	61.75"	72"
SC2-2460-18-SD	24"	72"	18"	15.75"	49.75"	60"
SC2-3060-18-SD	30"	72"	18"	21.75"	49.75"	60"
SC2-3660-18-SD	36"	72"	18"	27.75"	49.75"	60"
SC2-4260-18-SD	42"	72"	18"	33.75"	49.75"	60"
SC2-4860-18-SD	48"	72"	18"	39.75"	49.75"	60"
SC2-2460-24-SD	24"	72"	24"	15.75"	49.75"	60"
SC2-3060-24-SD	30"	72"	24"	21.75"	49.75"	60"
SC2-3660-24-SD	36"	72"	24"	27.75"	49.75"	60"
SC2-4260-24-SD	42"	72"	24"	33.75"	49.75"	60"
SC2-4860-24-SD	48"	72"	24"	39.75"	49.75"	60"



PLAN VIEW SECTION



ELEVATION



SECTION A

OPTIONS	
<input type="checkbox"/>	POWERED VENTING (120V/60HZ/1PH)
<input type="checkbox"/>	FAN ONLY
<input type="checkbox"/>	FAN AND HEPA FILTER SYSTEM
<input type="checkbox"/>	TIMER
<input type="checkbox"/>	RECESSED UNIT
<input type="checkbox"/>	MOBILE WITH LOCKING CASTERS
<input type="checkbox"/>	SLOPE TOP (ADDS 9" TO HEIGHT)

- NOTES:
- CABINETS CONSTRUCTED OF #18 GA. TYPE 304 STAINLESS STEEL W/ FRONTS WELDED AND POLISHED TO #4 FINISH.
 - ALL WALL FASTENERS PROVIDED BY INSTALLERS.
 - EACH CABINET SHIPPED IN ONE PIECE.
 - BASE & VENTED TOP WILL BE SHIPPED ATTACHED TO CABINET.
 - INSTALLATION BY OTHERS.

REVISIONS			CONTINENTAL METAL PRODUCTS CO., INC.			
NO.	DATE	BY	35 OLYMPIA AVE. - WOBURN, MA. 01801			
			STAINLESS STEEL SCOPE STORAGE & DRYING CABINETS			
			SCALE: 3/4" = 12"	DATE: 06/23/2022	DRAWN: PM	
			SYS	DWG NO.	REV	
SHEET: 1 OF 1			AC	ACC-2097		