

Application: AutoFlow™ eyewash for mounting on wall. Spray heads swing down from storage to operational position, activating water flow. Available in a variety of spray head configurations to minimize obstructions at a sink. *Note: If unit is not installed at a sink, floor drain should be provided underneath unit to prevent accumulation of water on floor.*

Spray Head Assembly: Two GS-Plus™ spray heads. Each head has a “flip top” dust cover, internal flow control and filter to remove impurities from the water flow.

Valve: 1/2" IPS plug-type valve with PTFE coated O-ring seals. Swinging head assembly from storage to operational position opens orifice and activates water flow. Unit remains in operation until head assembly is returned to storage position.

Strainer: Unit is furnished with in-line strainer to protect valve and spray heads from debris in water line.

Mounting: Valve is installed in Type 316 stainless steel housing. Mount housing on wall using anchors or other mounting hardware.

Construction: Polished chrome plated brass.

Supply: 1/2" NPT female inlet.

Sign: ANSI-compliant identification sign.

Quality Assurance: Unit is completely assembled and water tested prior to shipment.

Available Options

- DC Stainless steel dust cover for each spray head.
- Thermostatic mixing valve precisely blends hot and cold water to deliver warm (tepid) water as required by ANSI Z358.1-2014. Refer to “Tempering Valves” section for complete technical and product selection information.

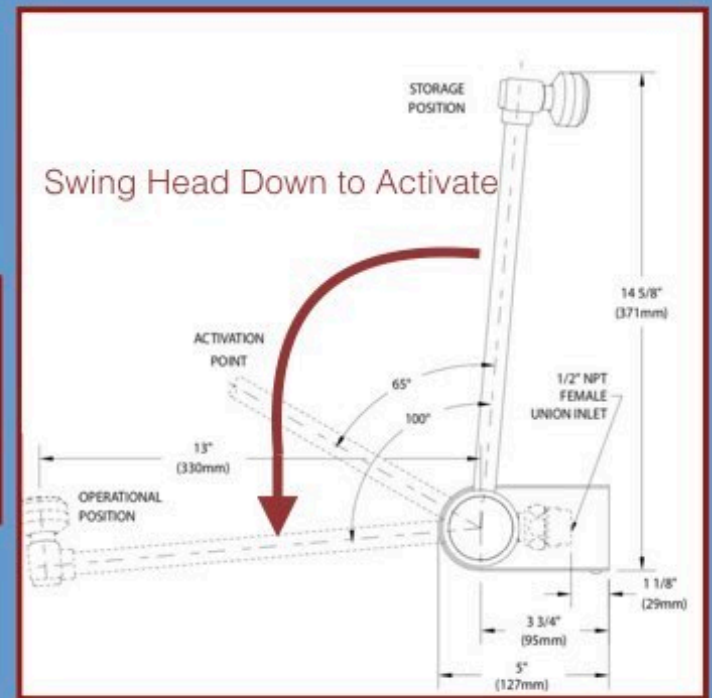
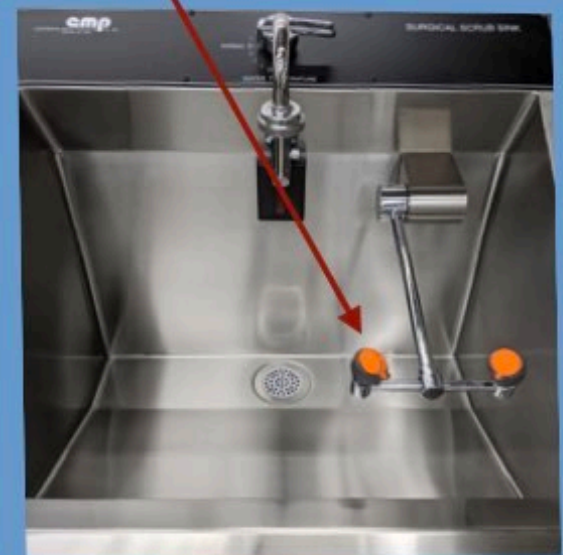
To Activate Emergency Eyewash Water Flow:

- Swing Outlet Head Assembly Down 100 Degrees from Vertical to Horizontal Position
- Valve will begin to Open at 65 Degree Activation Point

**EYEWASH CLOSED POSITION-
STRAIGHT UPWARD / VERTICAL**



**EYEWASH OPEN / ON POSITION-
STRAIGHT OUT / HORIZONTAL**



CONTINENTAL METAL PRODUCTS

cmp
healthcare division

SCRUB SINK EYEWASH MOUNTING HOLE - Pre-drilled at factory



CONTINENTAL METAL PRODUCTS

cmp
healthcare division

Stainless Steel Scrub Sink with Eyewash



**Meets
ANSI Z358.1-2014
Requirements**

- Eyewash Mounted Independently to back of sink basin
- Eyewash is NOT mounted to faucet
- Independant Mixing Valve for temperature protection

CONTINENTAL METAL PRODUCTS

cmp
healthcare division

Stainless Steel Scrub Sink with Eyewash

**Meets
ANSI Z358.1-2014
Requirements**



- Eyewash Mounted Independently to back of sink basin
- Eyewash is NOT mounted to faucet
- Independant Mixing Valve for temperature protection

CONTINENTAL METAL PRODUCTS

cmp
healthcare division

Eye Wash

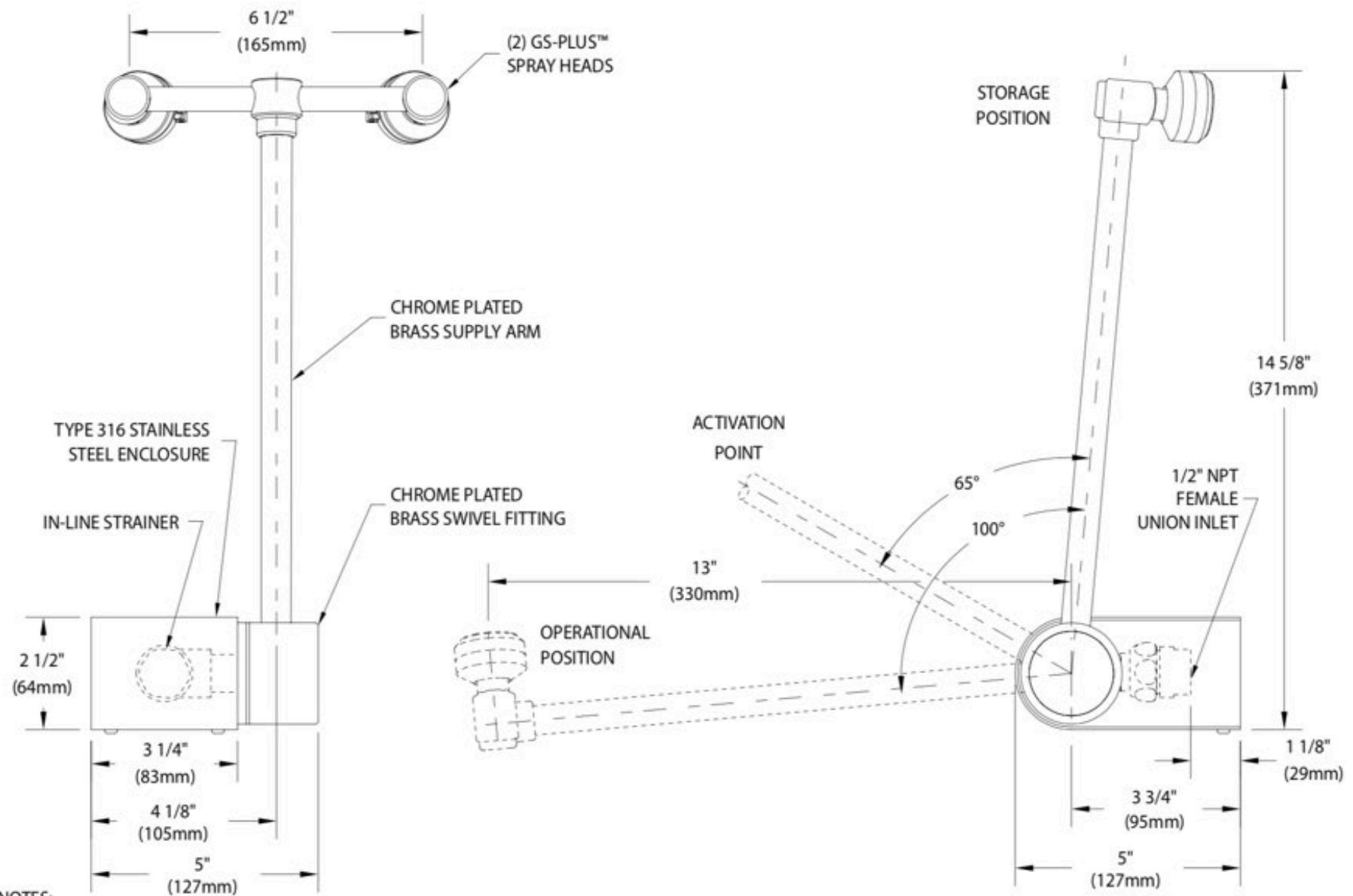


Application: Eyewash for mounting on wall. Spray heads swing down from storage to operational position, activating water flow.

Spray Head Assembly: Two spray heads. Each head has a "flip top" dust cover, internal flow control and filter to remove impurities from the water flow.

Valve: 1/2" IPS plug-type valve with PTFE coated O-ring seals. Swinging head assembly from storage to operational position opens orifice and activates water flow. Unit remains in operation until head assembly is returned to storage position.

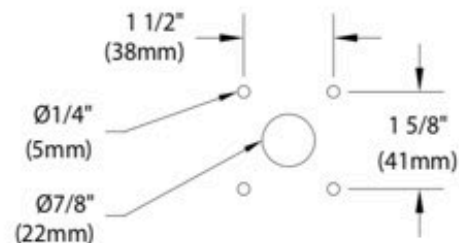
Strainer: Unit is furnished with in-line strainer to protect valve and spray heads from debris in water line.

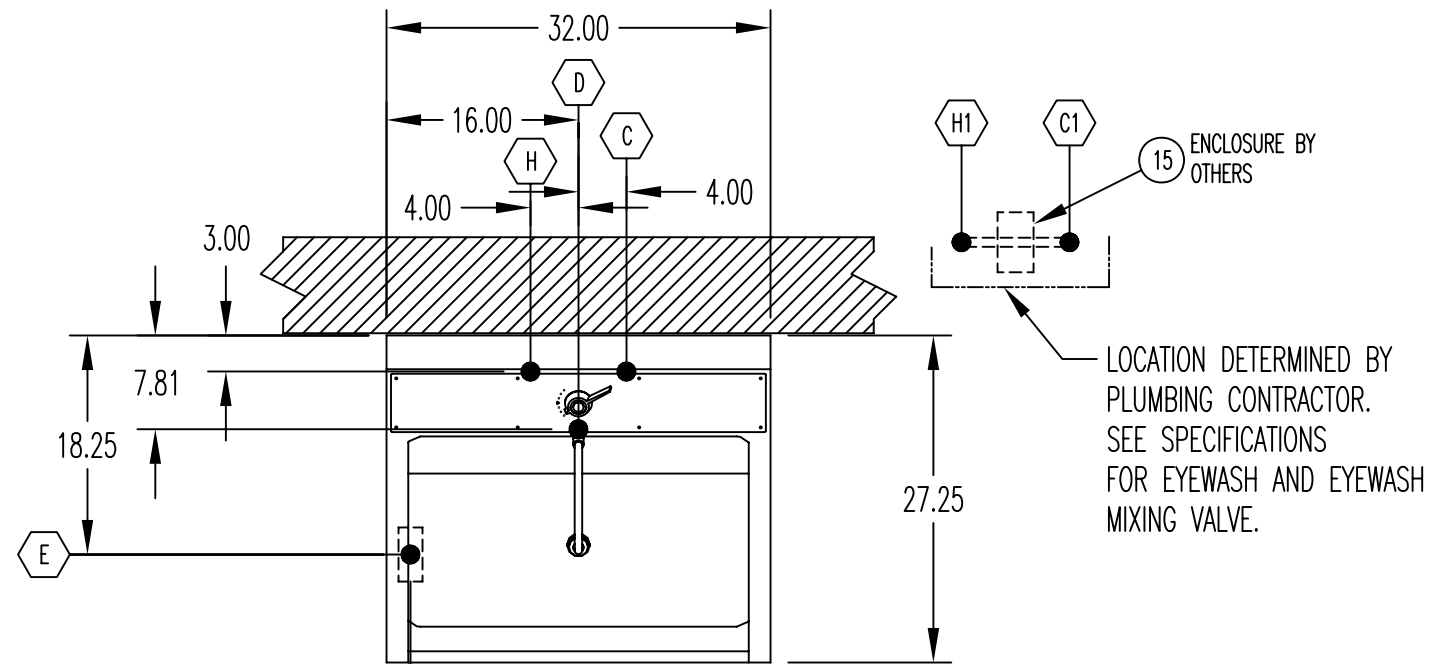


NOTES:

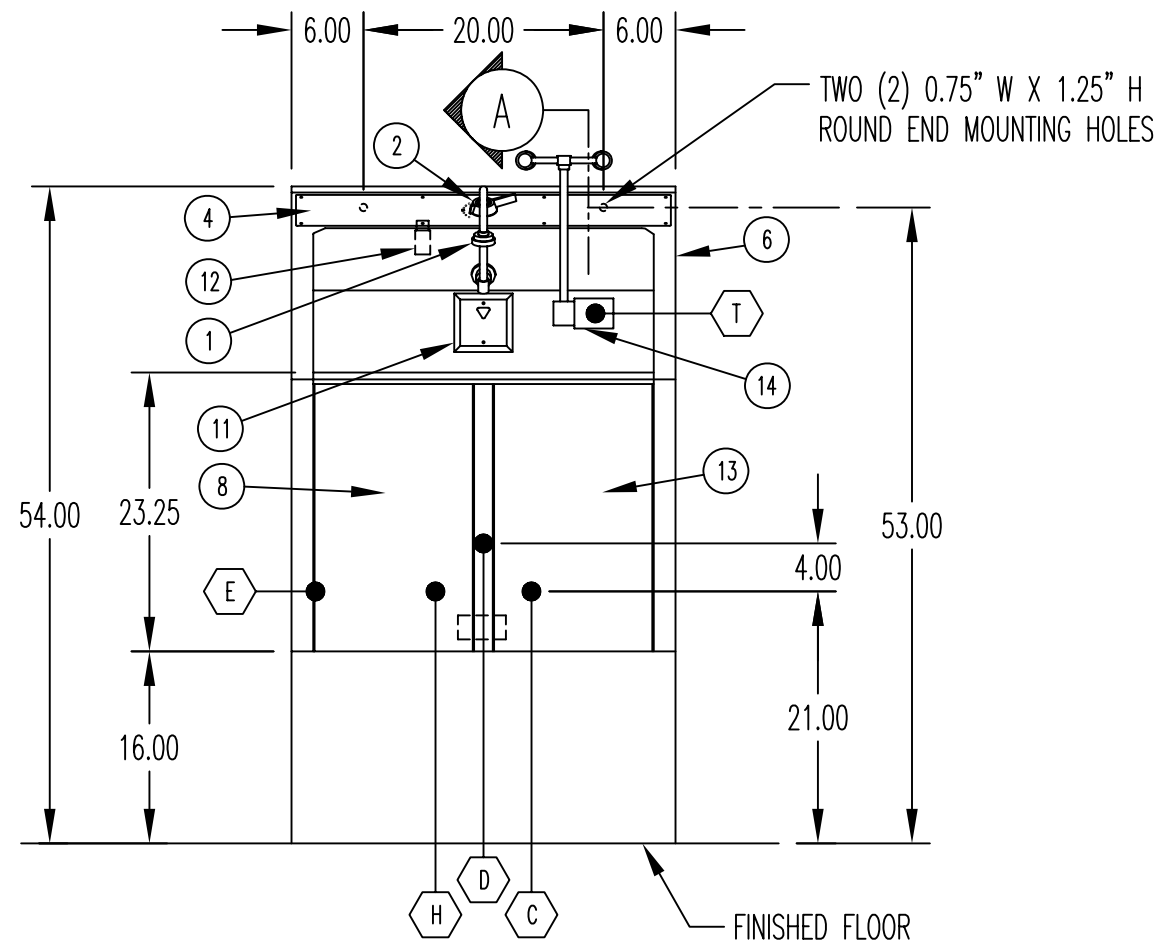
1. SWINGING OUTLET HEAD ASSEMBLY DOWN 100 DEGREES FROM VERTICAL TO HORIZONTAL POSITION ACTIVATES WATER FLOW.
2. EACH GS-PLUS™ SPRAY HEAD HAS A "FLIP-TOP" DUST COVER, INTERNAL FLOW CONTROL AND FILTER TO REMOVE IMPURITIES FROM THE WATER FLOW.
3. MOUNT HOUSING ON WALL USING ANCHORS OR OTHER HARDWARE.
4. UNIT IS FURNISHED WITH IN-LINE STRAINER TO PROTECT SPRAY HEADS AND VALVE COMPONENTS FROM DEBRIS IN WATER LINE.
5. UNIT SHOULD BE INSTALLED SUCH THAT WATER FLOW PATTERN IS POSITIONED BETWEEN 33" AND 53" ABOVE FLOOR.
6. VALVE BEGINS TO OPEN AT "ACTIVATION POINT" SHOWN ABOVE.

MOUNTING DETAIL

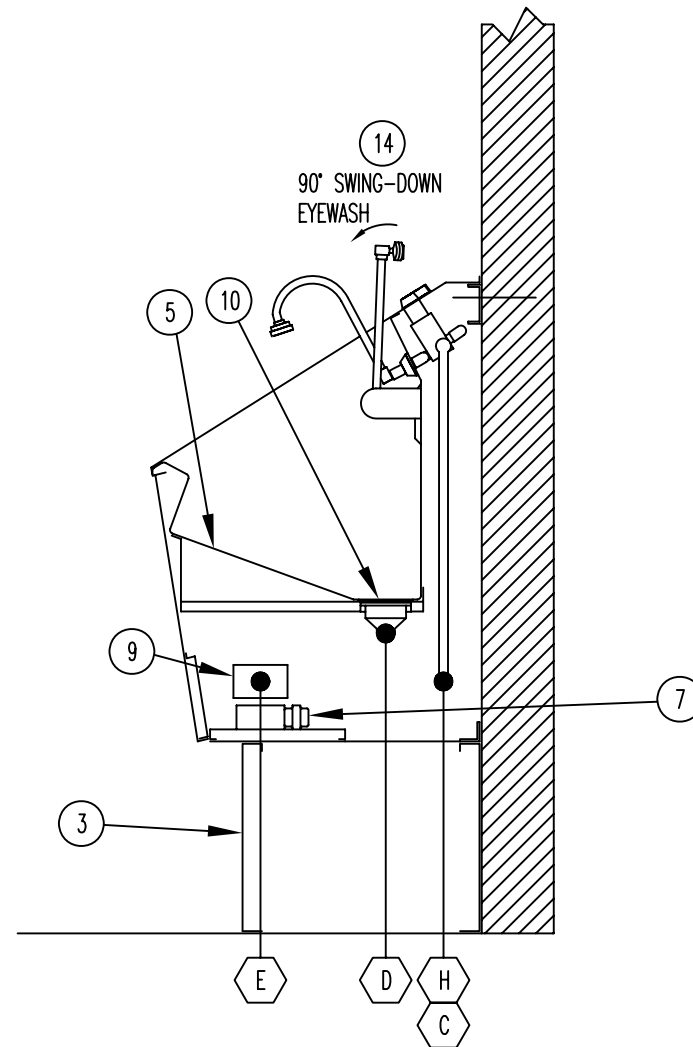




PLAN
(EYEWASH NOT SHOWN)



ELEVATION
(EYEWASH MIXING VALVE NOT SHOWN)



SECTION A
(EYEWASH MIXING VALVE NOT SHOWN)

NOTE: STUB DRAIN OUT REAR WALL
24" ABOVE FINISHED FLOOR

LOCATION DETERMINED BY
PLUMBING CONTRACTOR.
SEE SPECIFICATIONS
FOR EYEWASH AND EYEWASH
MIXING VALVE.

NOTE: EYEWASH AND EYEWASH
MIXING VALVE SHIPPED LOOSE
FOR INSTALLATION BY PLUMBING
CONTRACTOR. TEMPERED WATER
CONNECTION FROM EYEWASH MIXING
VALVE TO EYEWASH BY P.C.

REF	DESCRIPTION
1	GOOSENECK FAUCET W/ ADJ. FLOW CONTROL
2	THERMOSTATIC MIXING VALVE
3	STAINLESS STEEL PEDESTAL BASE
4	CONTROL PANEL, REMOVABLE
5	S/S COVERED CORNER BASIN W/ SOUND DEADENING UNDERCOAT
6	TYPE 304 S/S CONSTRUCTION W/ #4 FINISH
7	STEP DOWN TRANSFORMER, 120V/60HZ PRIMARY, 24V SECONDARY
8	ACCESS PANEL, HINGED AND REMOVABLE
9	ELECTRICAL JUNCTION BOX
10	2" PERFORATED STRAINER DRAIN
11	ELECTRONIC SENSOR W/ S/S GASKETED COVER PLATE, SENSITIVITY RANGE ADJUSTMENT 2" TO 24"
12	SOLENOID, 24V
13	ACCESS PANEL, HINGED AND REMOVABLE
14	EMERGENCY EYEWASH
15	MIXING VALVE FOR EMERGENCY EYEWASH (FACTORY SET @ 85°F)

REQUIRED CONNECTIONS

H	3/4" I.P.S. HOT WATER (120 - 140°F @ 45 - 70 PSI)
C	3/4" I.P.S. COLD WATER (40 - 70°F @ 45 - 70 PSI)
D	2" I.P.S. DRAIN
E	120 VAC, 60 HZ, 1 PH, 2 AMPS (HARD WIRE)
H1	1/2" HOT WATER (140° F @ 45 - 70 PSI) - SEE VALVE SPECS
C1	1/2" COLD WATER (45 - 70 PSI) - SEE VALVE SPECS
T	1/2" TEMPERED WATER - SEE VALVE SPECS

MODEL NO. 1-32E SINGLE BAY SURGICAL
SCRUB SINK W/ ELECTRONIC SENSOR,
STAINLESS STEEL PEDESTAL BASE &
EYEWASH W/ MIXING VALVE

REVISIONS			CONTINENTAL METAL PRODUCTS CO., INC.	
NO.	DATE	BY	35 OLYMPIA AVE. - WOBURN, MA. 01888	
			MODEL NO. 1-32E SURGICAL SCRUB SINK	
			SCALE: 3/4" = 12"	DATE: 06/23/2016 DRAWN: PM
			SHEET: 1 OF 1	SYS DWG NO. ACB-1895 REV