

CONTINENTAL METAL PRODUCTS

cmp
healthcare division

Eye Wash



Listed 8116. Units have been tested to and comply with ANSI Z358.1-2014 and the Uniform Plumbing Code.



Application: Eyewash for mounting on wall. Spray heads swing down from storage to operational position, activating water flow.

Spray Head Assembly: Two spray heads. Each head has a “flip top” dust cover, internal flow control and filter to remove impurities from the water flow.

Valve: 1/2" IPS plug-type valve with PTFE coated O-ring seals. Swinging head assembly from storage to operational position opens orifice and activates water flow. Unit remains in operation until head assembly is returned to storage position.

Strainer: Unit is furnished with in-line strainer to protect valve and spray heads from debris in water line.

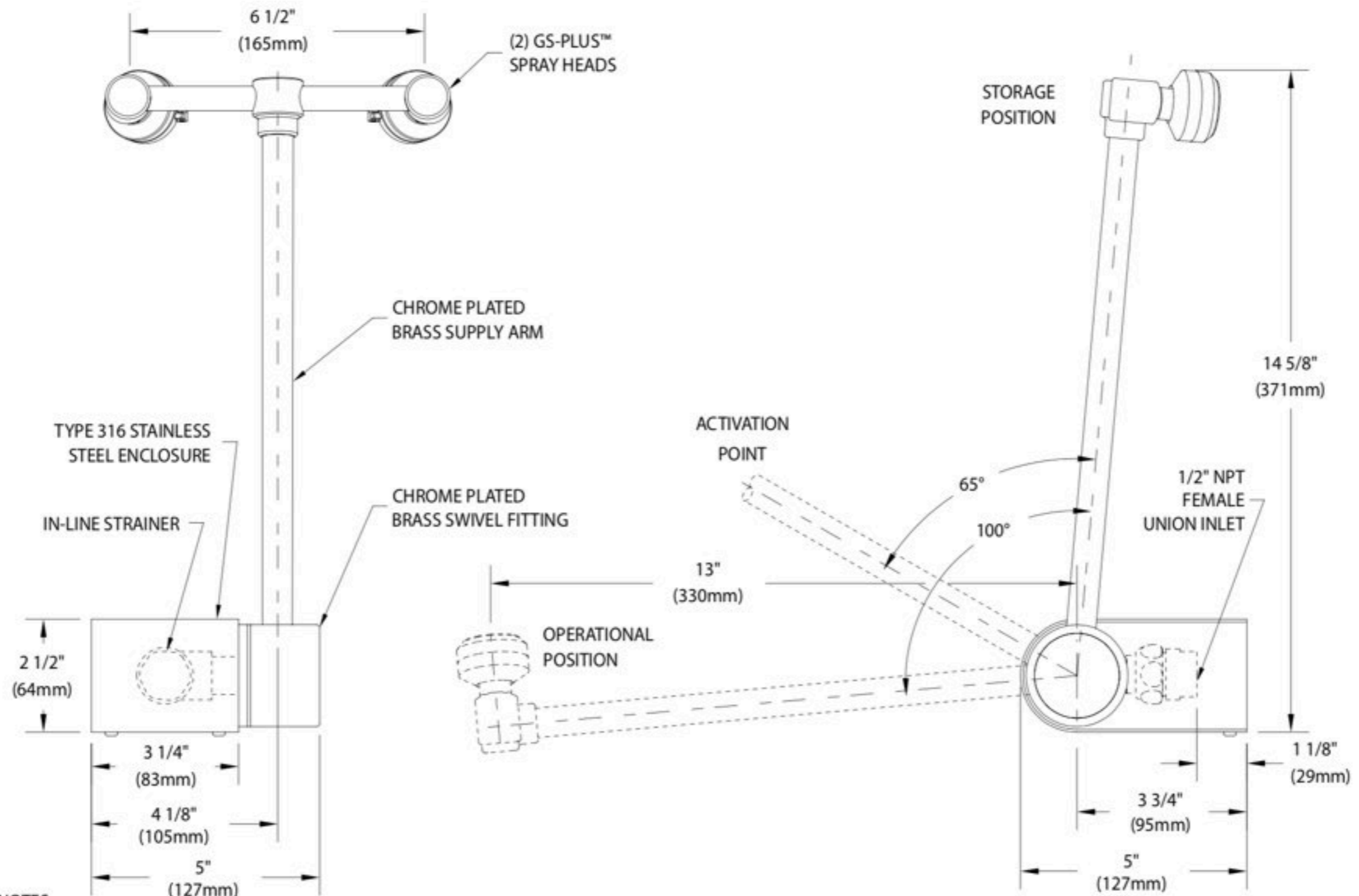
Construction: Polished chrome plated brass.

Supply: 1/2" NPT female inlet.

Sign: ANSI-compliant identification sign.

Quality Assurance: Unit is completely assembled and water tested prior to shipment.

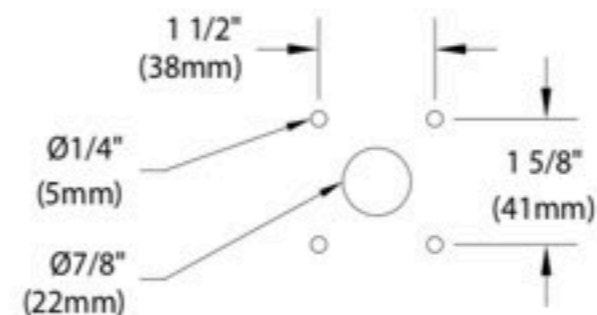
Thermostatic mixing valve precisely blends hot and cold water to deliver warm (tepid) water as required by ANSI Z358.1-2014.

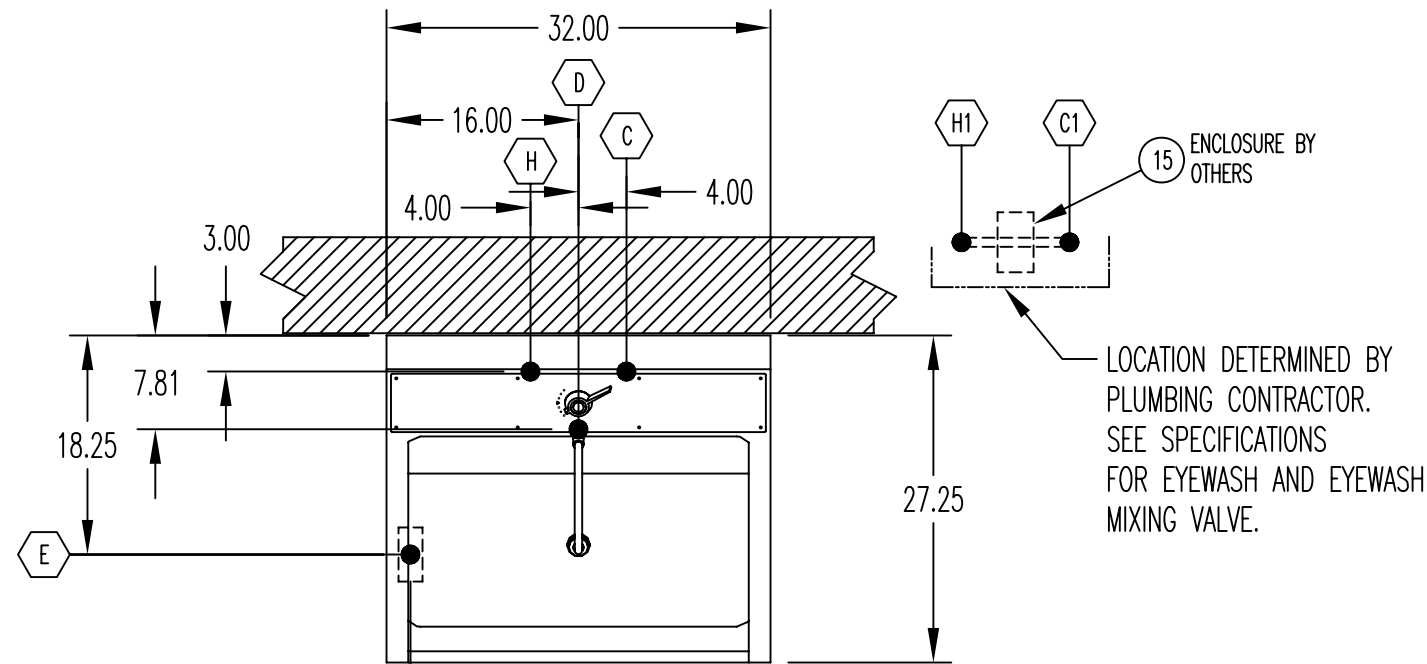


NOTES:

1. SWINGING OUTLET HEAD ASSEMBLY DOWN 100 DEGREES FROM VERTICAL TO HORIZONTAL POSITION ACTIVATES WATER FLOW.
2. EACH GS-PLUS™ SPRAY HEAD HAS A "FLIP-TOP" DUST COVER, INTERNAL FLOW CONTROL AND FILTER TO REMOVE IMPURITIES FROM THE WATER FLOW.
3. MOUNT HOUSING ON WALL USING ANCHORS OR OTHER HARDWARE.
4. UNIT IS FURNISHED WITH IN-LINE STRAINER TO PROTECT SPRAY HEADS AND VALVE COMPONENTS FROM DEBRIS IN WATER LINE.
5. UNIT SHOULD BE INSTALLED SUCH THAT WATER FLOW PATTERN IS POSITIONED BETWEEN 33" AND 53" ABOVE FLOOR.
6. VALVE BEGINS TO OPEN AT "ACTIVATION POINT" SHOWN ABOVE.

MOUNTING DETAIL

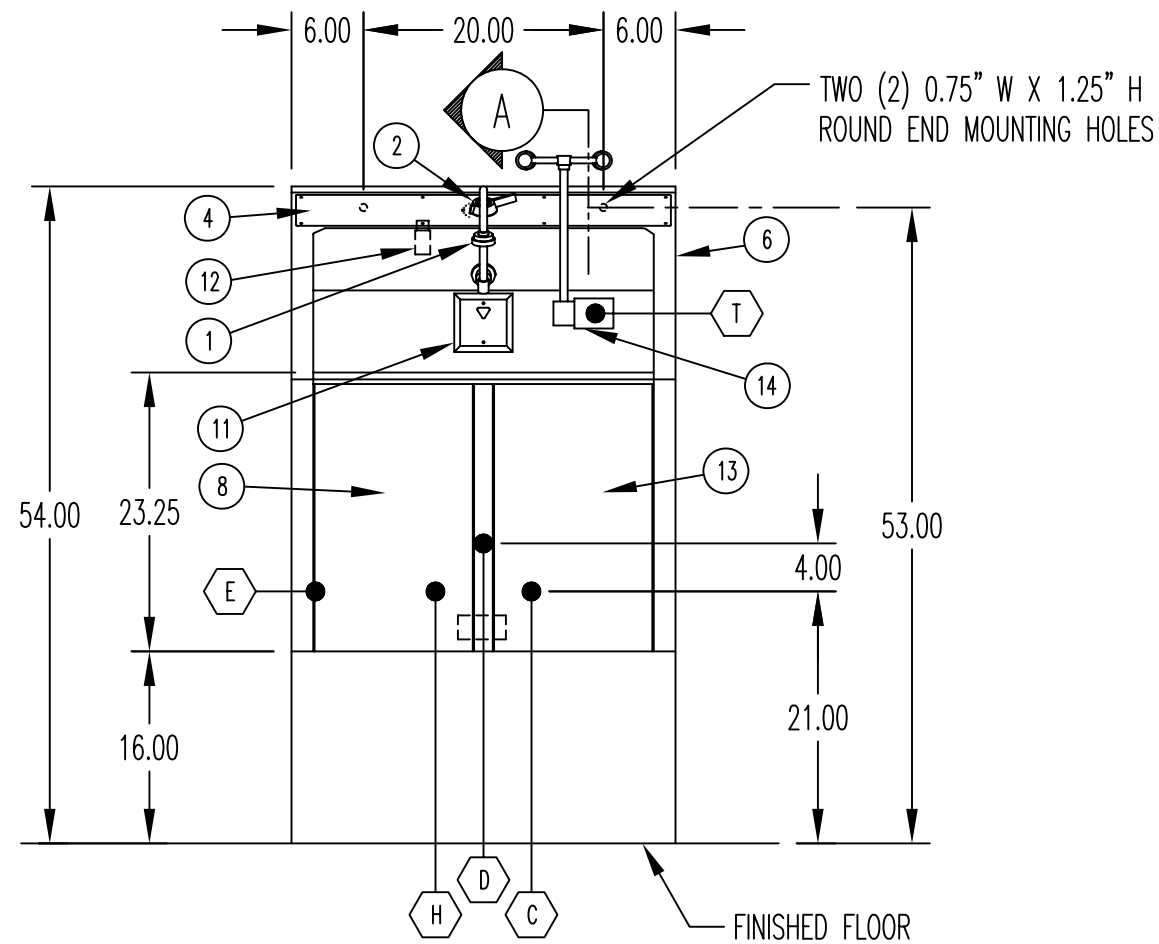




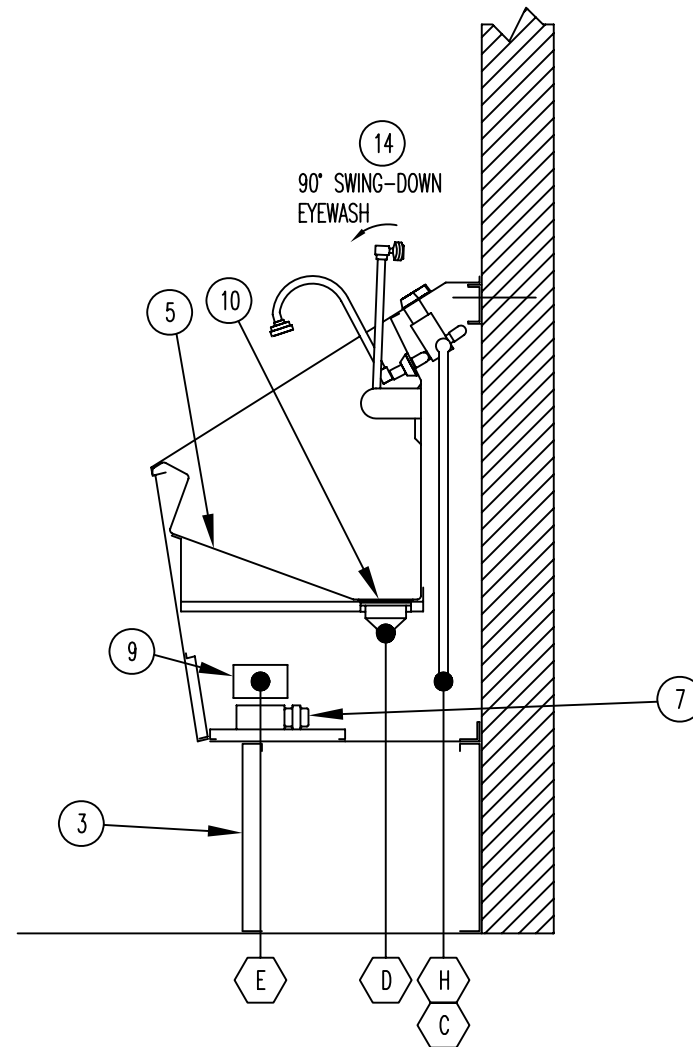
NOTE: STUB DRAIN OUT REAR WALL
24" ABOVE FINISHED FLOOR

NOTE: EYEWASH AND EYEWASH MIXING VALVE SHIPPED LOOSE FOR INSTALLATION BY PLUMBING CONTRACTOR. TEMPERED WATER CONNECTION FROM EYEWASH MIXING VALVE TO EYEWASH BY P.C.

PLAN
(EYEWASH NOT SHOWN)



ELEVATION
(EYEWASH MIXING VALVE NOT SHOWN)



SECTION A
(EYEWASH MIXING VALVE NOT SHOWN)

REF	DESCRIPTION
1	GOOSENECK FAUCET W/ ADJ. FLOW CONTROL
2	THERMOSTATIC MIXING VALVE
3	STAINLESS STEEL PEDESTAL BASE
4	CONTROL PANEL, REMOVABLE
5	S/S COVERED CORNER BASIN W/ SOUND DEADENING UNDERCOAT
6	TYPE 304 S/S CONSTRUCTION W/ #4 FINISH
7	STEP DOWN TRANSFORMER, 120V/60HZ PRIMARY, 24V SECONDARY
8	ACCESS PANEL, HINGED AND REMOVABLE
9	ELECTRICAL JUNCTION BOX
10	2" PERFORATED STRAINER DRAIN
11	ELECTRONIC SENSOR W/ S/S GASKETED COVER PLATE, SENSITIVITY RANGE ADJUSTMENT 2" TO 24"
12	SOLENOID, 24V
13	ACCESS PANEL, HINGED AND REMOVABLE
14	EMERGENCY EYEWASH
15	MIXING VALVE FOR EMERGENCY EYEWASH (FACTORY SET @ 85°F)

REQUIRED CONNECTIONS

H	3/4" I.P.S. HOT WATER (120 - 140°F @ 45 - 70 PSI)
C	3/4" I.P.S. COLD WATER (40 - 70°F @ 45 - 70 PSI)
D	2" I.P.S. DRAIN
E	120 VAC, 60 HZ, 1 PH, 2 AMPS (HARD WIRE)
H1	1/2" HOT WATER (140° F @ 45 - 70 PSI) - SEE VALVE SPECS
C1	1/2" COLD WATER (45 - 70 PSI) - SEE VALVE SPECS
T	1/2" TEMPERED WATER - SEE VALVE SPECS

MODEL NO. 1-32E SINGLE BAY SURGICAL SCRUB SINK W/ ELECTRONIC SENSOR, STAINLESS STEEL PEDESTAL BASE & EYEWASH W/ MIXING VALVE

REVISIONS			CONTINENTAL METAL PRODUCTS CO., INC.	
NO.	DATE	BY	35 OLYMPIA AVE. - WOBURN, MA. 01888	
			MODEL NO. 1-32E SURGICAL SCRUB SINK	
			SCALE: 3/4" = 12"	DATE: 06/23/2016 DRAWN: PM
			SHEET: 1 OF 1	SYS DWG NO. ACB-1895 REV