

# Model CU-126

## CLEAN-UP COUNTER



**Note:** Right-to-left workflow shown.

### Features

- Stainless Steel Construction
- Five Cove-Cornered Sink Bowls
- Gooseneck Faucets for Distilled and Hot/Cold Water
- Deck-Mounted Air Valve
- Chrome-Plated Tube Washer
- Removable Stainless Steel Storage Drawers
- Two Enclosed and One Open Storage Compartments

### Dimensions

126" wide × 29" deep × 40" high

### Specifications

#### Construction

Model CU-126 Clean-Up Counter

shall be 126" (3,200 mm) wide × 29" (737 mm) deep × 40" (1,016 mm) high, constructed of Type 304 stainless steel with No. 4 finish.

#### Counter Top

Counter top working surface shall be provided at height of 36" (914 mm). Top shall be constructed of No. 16 gauge (1.5 mm) stainless steel with integral 4" (102 mm) high backsplash and include five cove-cornered sink bowls with strainer drains and chrome-plated gooseneck faucets for distilled and hot and cold water. Deck-mounted air valve with 72" (1,829 mm) hose and chrome-plated tube washer with combination faucet, vacuum breaker and eight valved outlets shall be provided.

#### Base Cabinets

Left side of counter shall include cabinet 24" (610 mm) wide × 27" (686 mm) deep, consisting of 5"

(127 mm) deep, removable, stainless steel drawer mounted on ball bearing slides, and bottom and intermediate shelves concealed with hinged double-pan door. Middle portion of unit shall be 66" (1,676 mm) wide and include bottom shelf and hinged double-pan doors. Right section shall be open storage area, 36" (914 mm) wide, with fixed bottom shelf and two adjustable intermediate shelves. Bottom of clean-up counter is to have 4" (102 mm) high × 3" (76 mm) deep recessed toe space.

### Options

#### End Splash

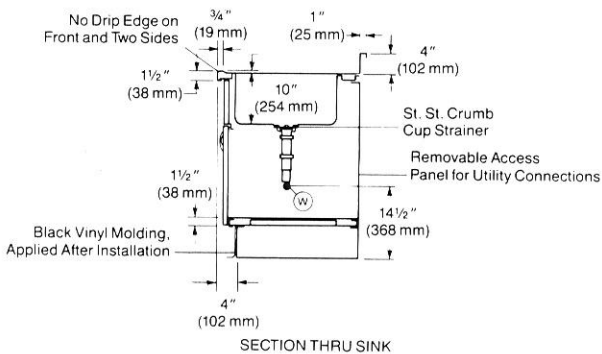
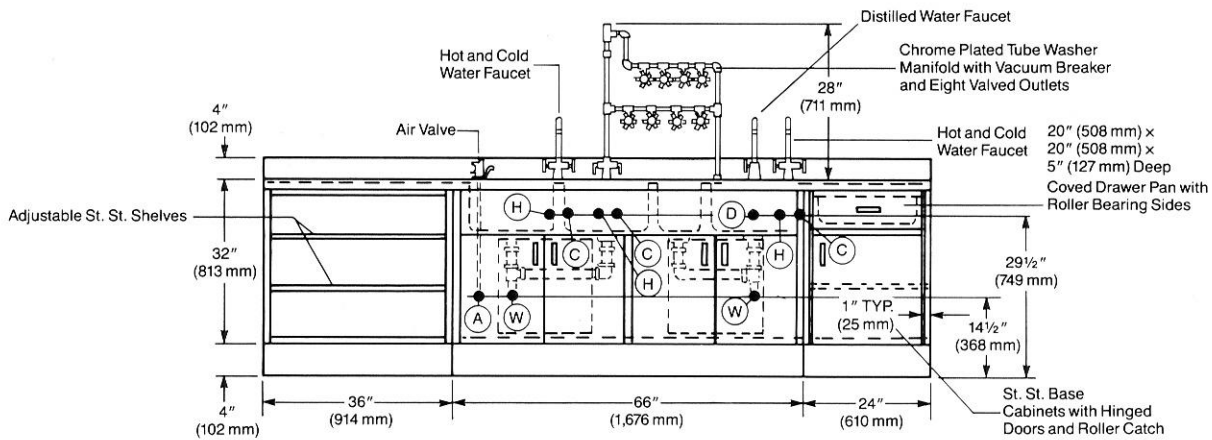
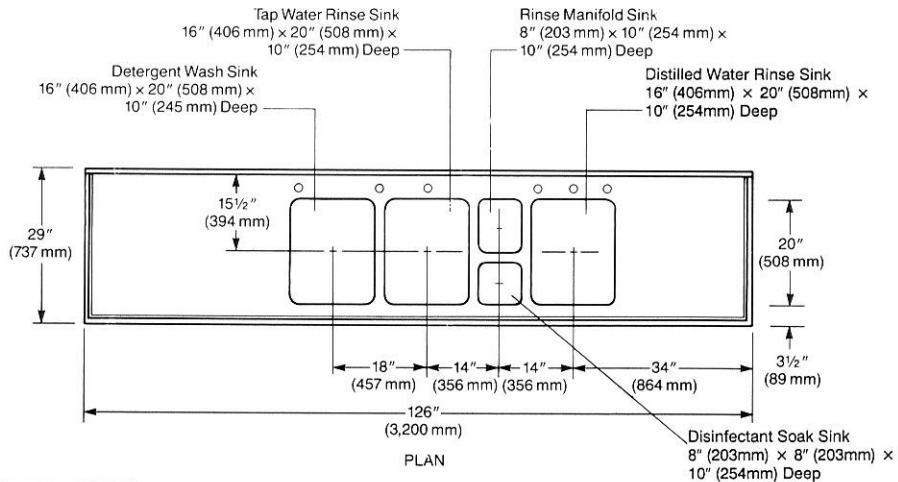
- Left End.
- Right End.
- Left and Right End.

#### Workflow

- Left to Right.
- Right to Left.

# cmp

# Model CU-126 CLEAN-UP COUNTER



REQUIRED CONNECTIONS	
H	1/4" (6 mm) I.P.S. Hot Water
C	1/4" (6 mm) Cold Water
D	1/4" (6 mm) Distilled Water
A	1/2" (13 mm) Air
W	1 1/2" (38 mm) Waste

Continental Metal Products Co. Inc., reserves the right to change materials and specifications resulting from a continuous effort to improve its products.

## Warranty

CMP parts are warranted against factory defects for a period of 1 year, and will be replaced upon return of defective item. All units will be serviced by factory without cost to buyer (labor and materials) for 90 days following installation. After 90 day period, replacement of a defective part (labor) will be at buyer's expense.

Compressors used in CMP units are warranted for 5 years. 90-day provisions stated above also apply.

# cmp

CONTINENTAL METAL PRODUCTS CO., INC./P.O. BOX 2295, 35 OLYMPIA AVENUE, WOBURN, MA 01888  
 PHONE (781) 935-4400 FAX (781) 935-4404 • www.continentalmetal.com • email address cmpwbn@gis.net