



CONTINENTAL METAL PRODUCTS

Stainless Steel Healthcare Equipment  
Meeting the Demands of the OR

healthcare division

Proudly Made in the  
USA for over 70 years



# Stainless Steel Sink Workstations Decontamination Reprocessing



CMP has been building Stainless Steel Sink Workstations for over 70 years. CMP's Sink Workstations are of the highest quality and are extremely rugged and durable. Sink Workstations are available in many standard sizes and can also be customized to meet any requirement. CMP is so confident in our quality and craftsmanship that we offer a two year labor and six year parts warranty.

## Features:

- Stainless Steel Construction
- Many Sink Sizes Available
- Integral Backsplash
- Reinforcement Channels
- Optional S/S Undershelf
- Holes in Counter for Faucets
- Many Standard Sizes Available
- Raised No Drip Marine Edge
- Optional End Splashes Available
- Stainless Steel Sink Apron
- S/S Tubular Crossbracing
- Optional Waste Disposer
- Custom Sizes
- Coved Corner Integral Sinks
- 16 Gauge S/S Countertop
- Adjustable Height Option
- Many Options
- Optional Eyewash

Continental Metal Products Co., Inc. – 35 Olympia Avenue, Woburn, MA 01801  
Phone (781) 935-4400 FAX (781) 935-4404 [www.continentalmetal.com](http://www.continentalmetal.com) [sales@continentalmetal.com](mailto:sales@continentalmetal.com)



CONTINENTAL METAL PRODUCTS

Stainless Steel Healthcare Equipment  
Meeting the Demands of the OR

# Stainless Steel Sink Workstations

healthcare division

Proudly Made in the  
USA for over 70 years



## Specifications:

Continental Metal Products Stainless Steel Sink Workstations shall be constructed of type 304 stainless steel with a no. 4 finish. All corners are welded, ground, blended and polished to match a no. 4 finish.

Standard dimensions shall be 25" deep x 36 to 37-1/2" high x 48" to 120" wide (in 12" increments).

Unit shall be constructed of no. 16 gauge stainless steel top with 1/8" high raised no drip marine edge on front and two sides to retain water droplets. Rear shall have a backsplash with 1/4" radius at counter top, flanged up 4" high and returned back 1" wide and down 1/2" to form boxed type edge. Underside of top shall be reinforced with no. 16 gauge channels to prevent warping or distortion.

No. 18 gauge stainless steel integral sinks shall be provided as specified with 1-3/4" radius coved corners. See below for available standard sink sizes. Top is punched to accommodate specified plumbing fixtures. Front and two sides of workstation shall have a no. 18 gauge stainless steel apron to conceal sink bowls.

Workstation shall be freestanding and mounted on 1-5/8" O.D. no. 16 gauge tubular stainless steel legs with enclosed square set screw sockets and adjustable bullet feet to vary height from 36" to 37-1/2" maximum. Four (4) legs are provided for tables 48" to 72" and six (6) legs for 84" to 120" widths. Crossbracing shall be used to secure legs and ensure stability. Offset wall clips are provided for securing equipment at backsplash.

Standard service connections required are 1/2" hot water, 1/2" cold water and 1-1/2" waste.

## Standard Sizes:

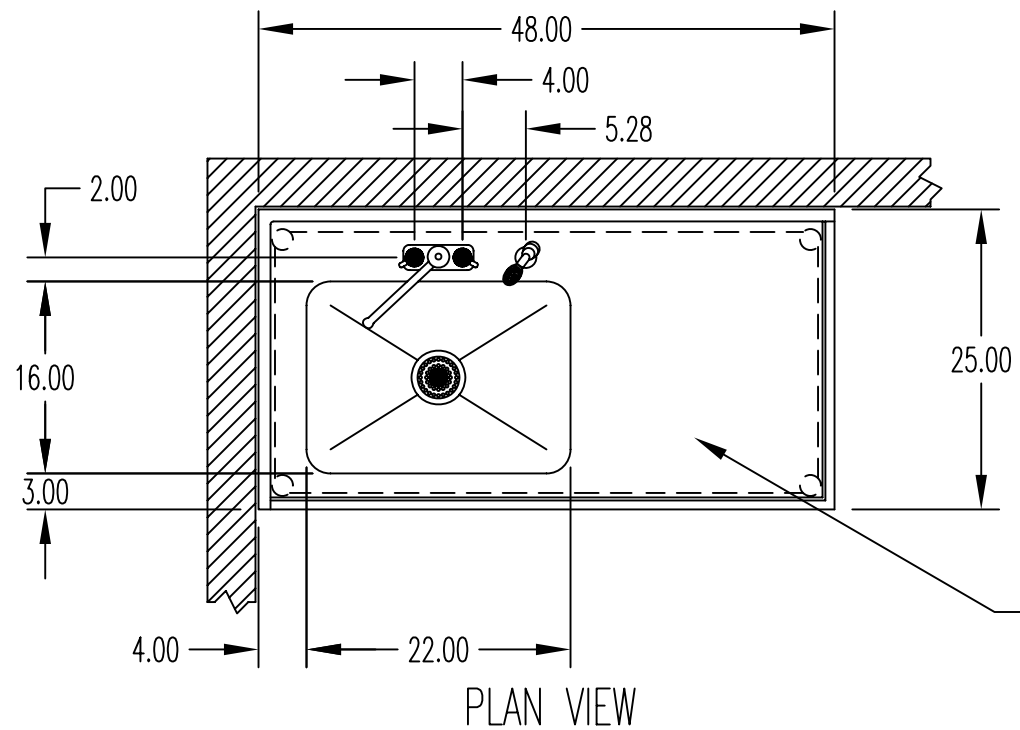
<u>Model #</u>	<u># of Sinks</u>	<u>Dimensions</u>	<u>Options</u>
WS1-48	1	25" deep x 36" high x 48" wide	Number of Sinks
WS1-60	1	25" deep x 36" high x 60" wide	Sink Locations
WS1-72	1	25" deep x 36" high x 72" wide	Left or Right End Splashes
WS1-84	1	25" deep x 36" high x 84" wide	Stainless Steel Undershell
WS1-96	1	25" deep x 36" high x 96" wide	Eyewash
WS1-108	1	25" deep x 36" high x 108" wide	Waste Disposer
WS1-120	1	25" deep x 36" high x 120" wide	Hot and Cold Water Faucet
			Side Spray
WS2-60	2	25" deep x 36" high x 60" wide	Air & Water Guns with Tip Attachments
WS2-72	2	25" deep x 36" high x 72" wide	Soap Dispenser
WS2-84	2	25" deep x 36" high x 84" wide	Adjustable Height Ergonomic Model
WS2-96	2	25" deep x 36" high x 96" wide	Wall mounted S/S cantilever brackets
WS2-108	2	25" deep x 36" high x 108" wide	Treated Ultra-Purified DI Water
WS2-120	2	25" deep x 36" high x 120" wide	Lever Handle Waste Drain
			Hot/ Cold Pre-rinse fixture
WS3-72	3	25" deep x 36" high x 72" wide	Custom Sink Sizes
WS3-84	3	25" deep x 36" high x 84" wide	
WS3-96	3	25" deep x 36" high x 96" wide	
WS3-108	3	25" deep x 36" high x 108" wide	
WS3-120	3	25" deep x 36" high x 120" wide	

## Standard Sink Sizes

14" x 14" x 7-1/2" or 10-1/2" deep  
14" x 16" x 7-1/2", 10-1/2" or 12" deep  
14" x 18" x 7-1/2" or 10-1/2" deep  
16" x 16" x 7-1/2", 10-1/2" or 12" deep  
16" x 22" x 7-1/2", 10-1/2" or 12" deep

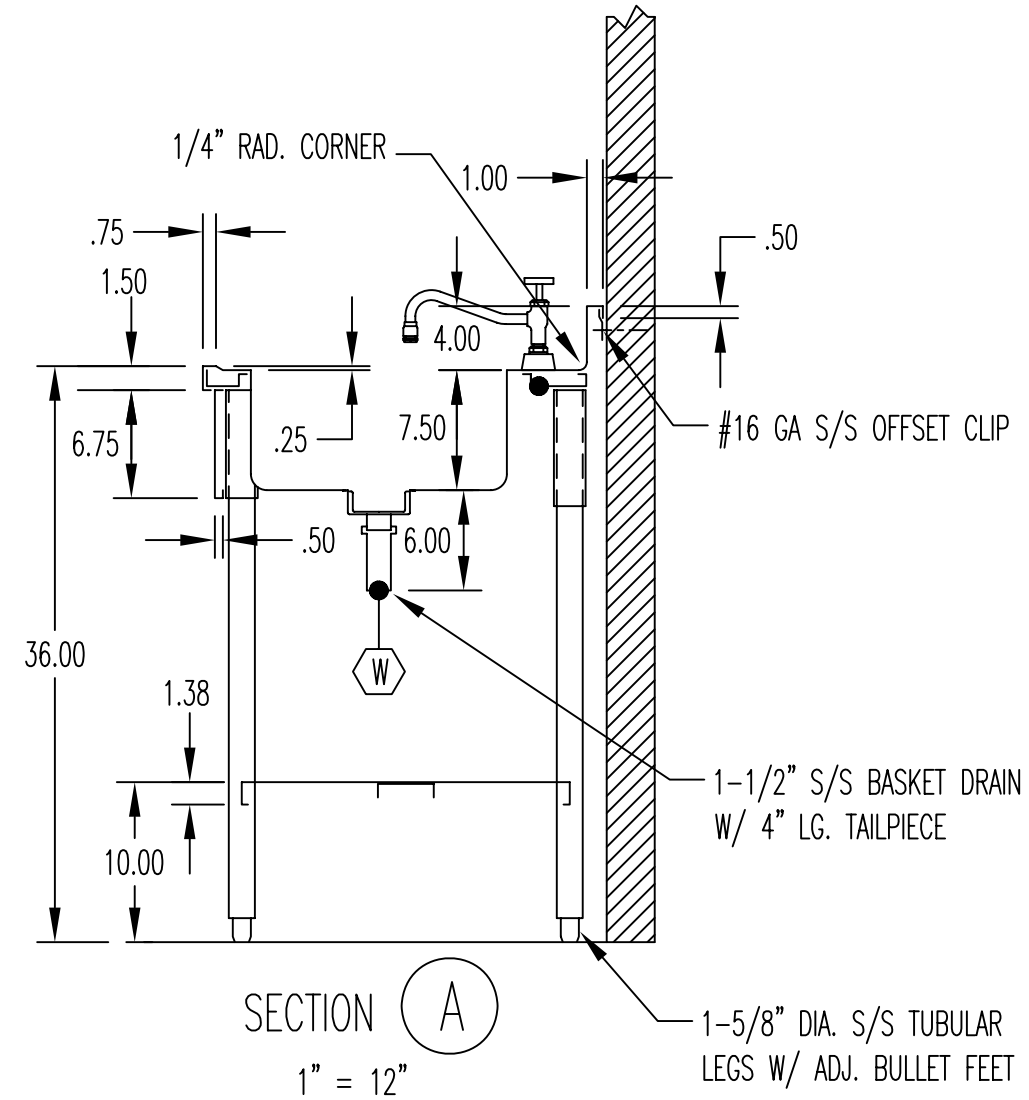
These models are part of our standard product line. Other sizes are available. **Custom Sizes Available**

Continental Metal Products Co., Inc. – 35 Olympia Avenue, Woburn, MA 01801  
Phone (781) 935-4400 FAX (781) 935-4404 [www.continentalmetal.com](http://www.continentalmetal.com) [sales@continentalmetal.com](mailto:sales@continentalmetal.com)

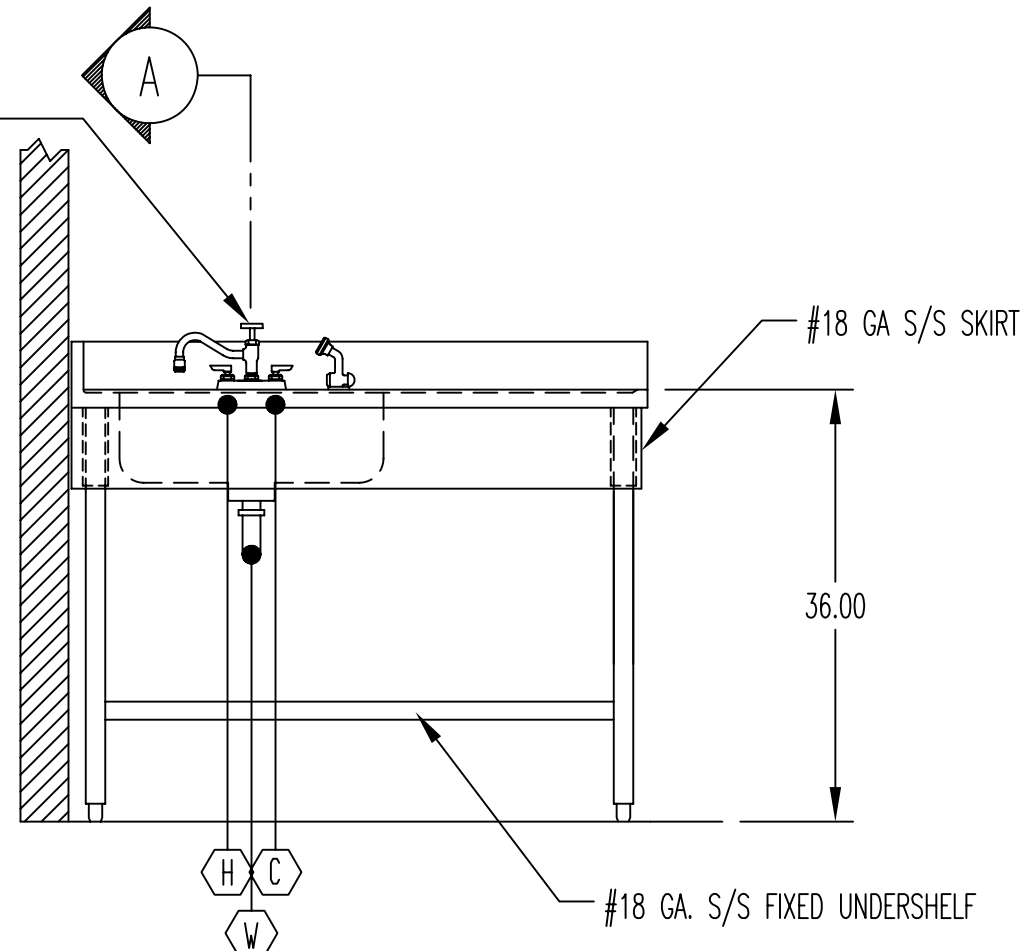


#16 GA S/S TOP W/ RAISED MARINE EDGE ON FRONT & RIGHT SIDE & 4" H. INTEGRAL COVERED CORNER BACK-SPLASH & LEFT END-SPLASH. INTEGRAL COVE CORNER SINK W/ S/S BASKET DRAIN & 1-1/2" TAILPIECE.

- NOTES:
1. ALL FIXTURES ARE FURNISHED LOOSE FOR INSTALLATION BY PLUMBING CONTRACTOR.
  2. ALL S/S SHALL BE TYPE 304 POLISHED TO NO. 4 FINISH.



DECK MTD. H & CW FAUCET W/ SWING SPOUT & PRE-RINSE SPRAY W/ 4 FT FLEXIBLE HOSE



ELEVATION

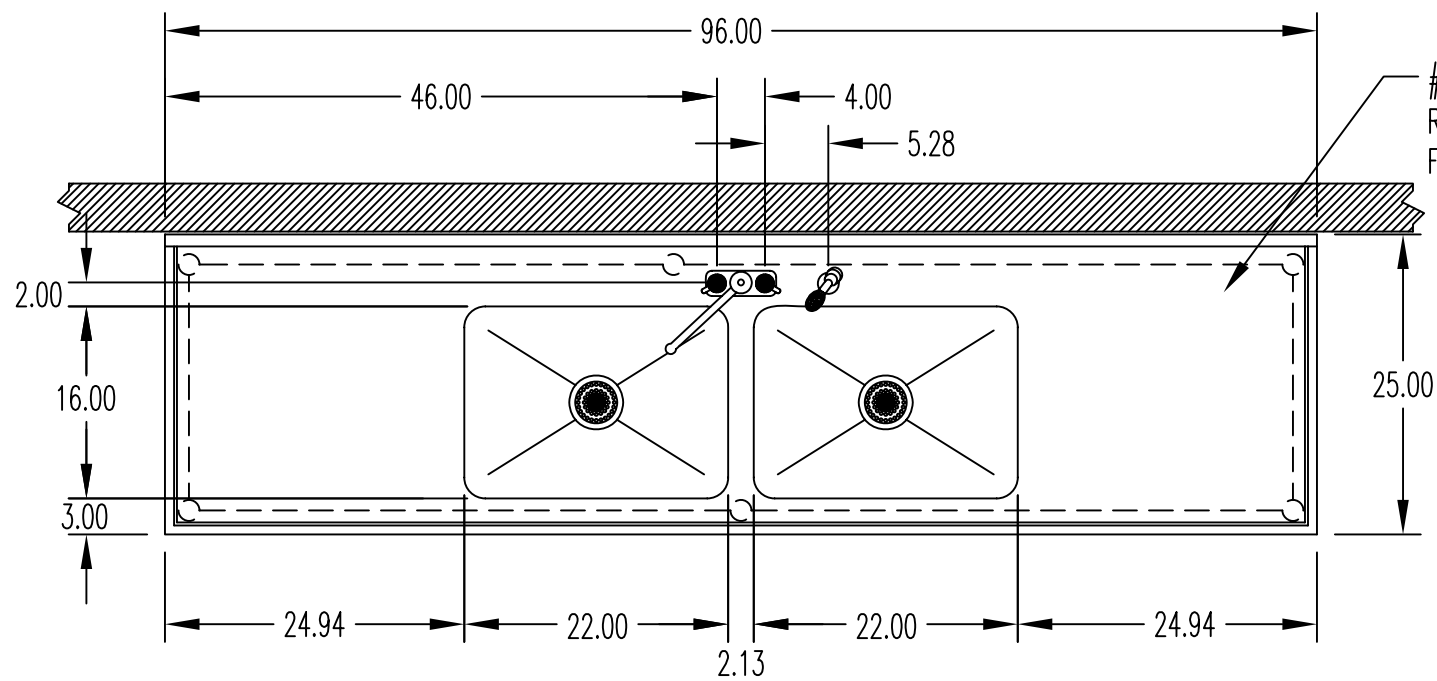
REQUIRED SERVICES

H	1/2" HOT WATER @ 30 PSI MIN.
C	1/2" COLD WATER @ 30 PSI MIN.
W	1-1/2" O.D. WASTE

ALL SERVICES MUST BE ROUGHED IN FROM REAR WALL. HEIGHTS ARE SHOWN TO BOTTOM OF CONNECTIONS. ALLOWANCES MUST BE MADE FOR VALVES, TRAPS AND OTHER CONNECTION REQUIREMENTS

REVISIONS			CONTINENTAL METAL PRODUCTS CO., INC.	
NO.	DATE	BY	35 OLYMPIA AVE. - WOBURN, MA. 01888	
			MODEL NO. WS1-48 WORK STATION W/ (1) SINK 22" x 16" x 7-1/2" DP.	
			SCALE: 3/4" = 12"	DATE: 08/25/2009 DRAWN: MAL
			SHEET: 1 OF 1	SYS DWG NO. ACB-1678 REV

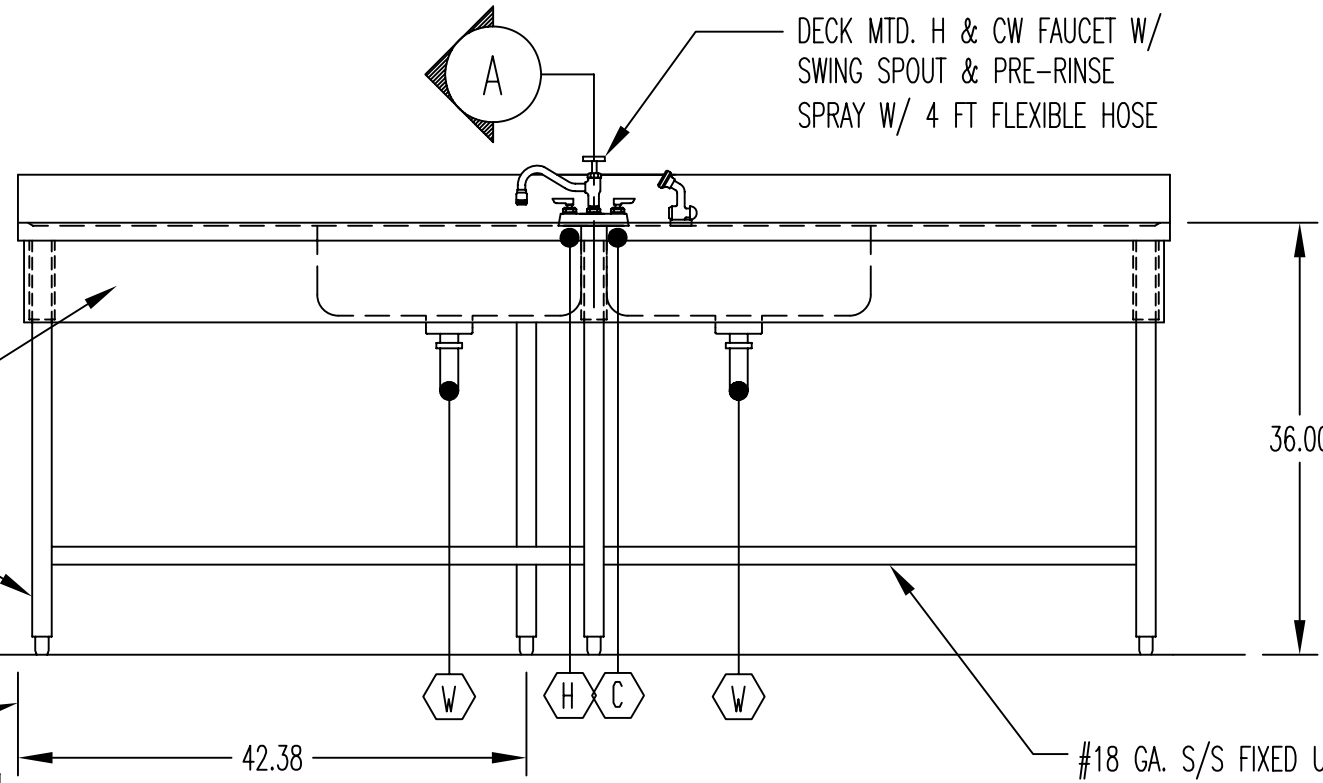




PLAN VIEW

#16 GA S/S TOP W/  
RAISED MARINE EDGE  
FRONT & BOTH ENDS

- NOTES:
1. ALL FIXTURES ARE FURNISHED LOOSE FOR INSTALLATION BY PLUMBING CONTRACTOR.
  2. ALL S/S SHALL BE TYPE 304 POLISHED TO NO. 4 FINISH.



ELEVATION

DECK MTD. H & CW FAUCET W/  
SWING SPOUT & PRE-RINSE  
SPRAY W/ 4 FT FLEXIBLE HOSE

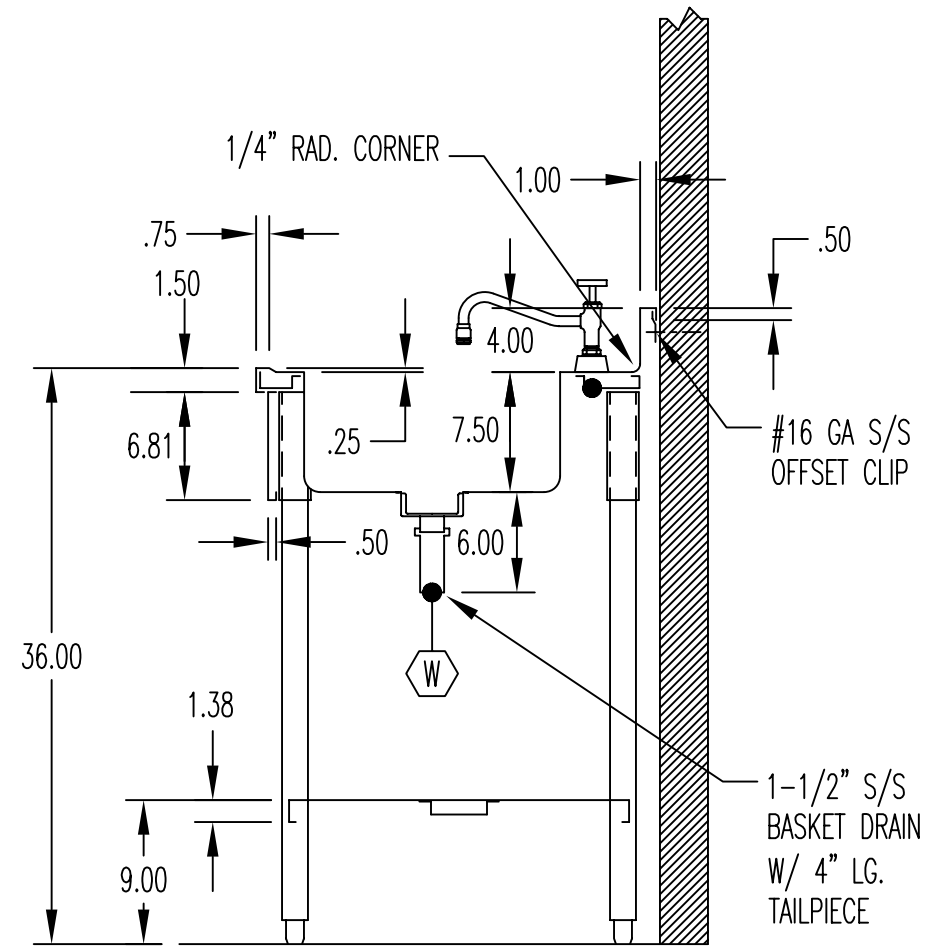
#18 GA S/S SKIRT

1-5/8" S/S TUBULAR  
LEG W/ ADJ. BULLET FEET

LEFT EDGE OF COUNTER

#18 GA. S/S FIXED UNDERSHELF

PLEASE NOTE LOCATION OF REAR  
SUPPORT LEG WHEN LOCATING  
PLUMBING ROUGH-INS



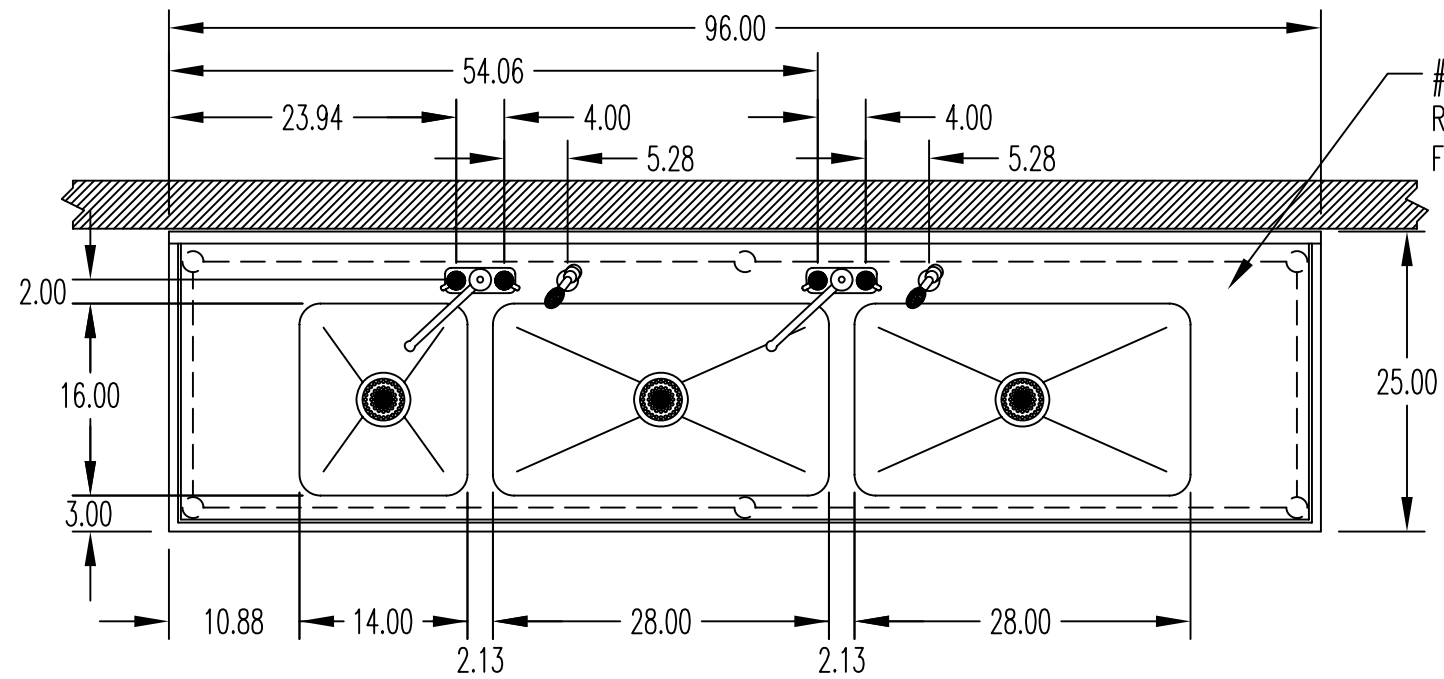
SECTION A  
1" = 12"

REQUIRED SERVICES	
H	1/2" HOT WATER @ 30 PSI MIN.
C	1/2" COLD WATER @ 30 PSI MIN.
W	1-1/2" O.D. WASTE

ALL SERVICES MUST BE ROUGHED IN FROM  
REAR WALL. HEIGHTS ARE SHOWN TO BOTTOM  
OF CONNECTIONS. ALLOWANCES MUST BE MADE  
FOR VALVES, TRAPS AND OTHER CONNECTION  
REQUIREMENTS

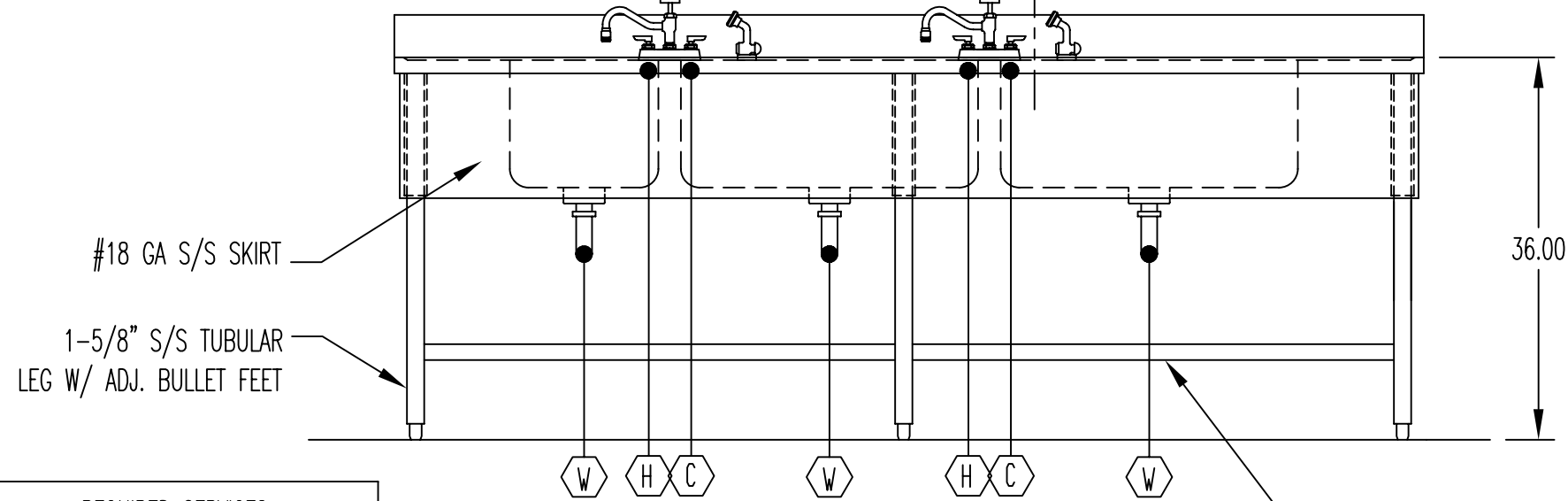
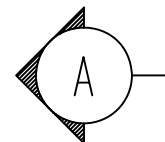
REVISIONS			 CONTINENTAL METAL PRODUCTS CO., INC. 35 OLYMPIA AVE. - WOBURN, MA 01888			
NO.	DATE	BY	MODEL NO. WS2-96 TWO SINK WORK STATION W/ SINKS CENTERED			
			SCALE: 3/4" = 12"	DATE: 10/25/2012	DRAWN: MAL	
			SHEET: 1 OF 1	SYS AC	DWG NO. ACB-1779	REV





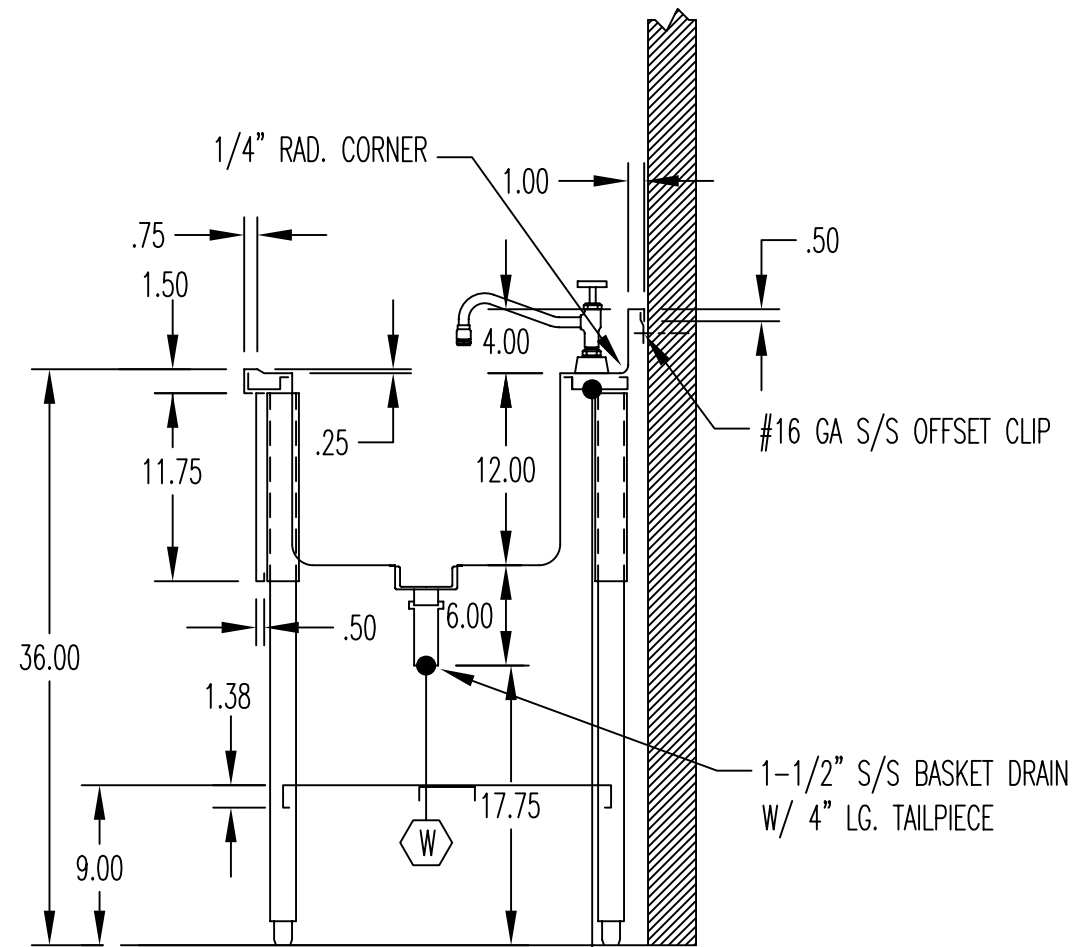
PLAN VIEW

T & S DECK MTD. H & CW FAUCET W/ SWING SPOUT & PRE-RINSE SPRAY W/ 4 FT FLEXIBLE HOSE



ELEVATION

- NOTES:
1. ALL FIXTURES ARE FURNISHED LOOSE FOR INSTALLATION BY PLUMBING CONTRACTOR.
  2. ALL S/S SHALL BE TYPE 304 POLISHED TO NO. 4 FINISH.



SECTION A  
 1" = 12"

REQUIRED SERVICES	
(H)	1/2" HOT WATER @ 30 PSI MIN.
(C)	1/2" COLD WATER @ 30 PSI MIN.
(W)	1-1/2" O.D. WASTE

ALL SERVICES MUST BE ROUGHED IN FROM REAR WALL. HEIGHTS ARE SHOWN TO BOTTOM OF CONNECTIONS. ALLOWANCES MUST BE MADE FOR VALVES, TRAPS AND OTHER CONNECTION REQUIREMENTS

REVISIONS			CONTINENTAL METAL PRODUCTS CO., INC.	
NO.	DATE	BY	35 OLYMPIA AVE. - WOBURN, MA. 01888	
			MODEL NO. WS3-96 THREE SINK WORK STATION W/ SINKS CENTERED	
			SCALE: 3/4" = 12"	DATE: 09/11/2012   DRAWN: MAL
			SHEET: 1 OF 1	SYS AC   DWG NO. ACB-1774   REV