



CONTINENTAL METAL PRODUCTS
Stainless Steel Healthcare Equipment
Meeting the Demands of the OR

Stainless Steel Pass-Through Cabinets

healthcare division

Proudly Made in the
USA for over 70 years



Pharmacy and Operating Room Pass-Throughs



CMP's Optional Exclusive Electronic Interlock System

- Meets USP<800> and USP<797> for Hospital Pharmacies
- CMP's exclusive interlock can be ordered to prevent either door from moving when the opposing door is opened. This ensures that the interlocked door cannot be forced open. The OR environment, hospital pharmacy anteroom, or Clean Room is protected during material transfer and eliminates Cross-Contamination.
- CMP's heavy-duty interlock system's strength, resists up to 500 lbs. of force.
- Utilizes updated, state-of-the-art technology that ensures superior operational functionality as compared with the mechanical interlock systems of the past. This fail-safe design immediately locks the opposing door with a more secure safety seal. Mechanically interlocked systems do not hold as tightly.

New Fire Rated Door Option

CMP has been manufacturing Stainless Steel Pass-Through Cabinets for over 70 years. Our Pass-Through Cabinets are fabricated to the highest standards and offer an array of storage solutions. CMP Pass-Through Cabinets are utilized for use between Ambulatory Surgical Centers (ASC) and Hospital Operating Rooms and the Sterile Core, as well as meeting USP<800> and <797 for Hospital Pharmacies. CMP is so confident in our quality and craftsmanship that we offer a two-year labor and six-year parts warranty.

Features:

- | | | |
|--------------------------------|--|------------------------|
| • Stainless Steel Construction | • Glass doors with 1/4" thick safety glass | • Adjustable Shelves |
| • Heavy Duty Door Hardware | • Stainless steel double pan solid doors | • Many Sizes Available |
| • Custom Sizes Available | • Optional Electronic Interlock System | • Optional Door Locks |
| • LED Light Option | • Automatic Self Closing Option | • Floor Mounted Option |
| • Cart Pass-Thru Option | • Custom Sizes Available | • Fire Rated Option |
| • Extra-Deep 29" & 36" Option | • Modular Tray & Basket Option | • Tinted Glass Option |
| | • Warming Cabinet Option | |

Continental Metal Products Co., Inc. – 35 Olympia Avenue, Woburn, MA 01801
Phone (781) 935-4400 FAX (781) 935-4404 www.continentalmetal.com sales@continentalmetal.com



CONTINENTAL METAL PRODUCTS

Stainless Steel Healthcare Equipment
Meeting the Demands of the OR

Stainless Steel Pass-Through Cabinets

healthcare division

Proudly Made in the
USA for over 70 years



Specifications:

Continental Metal Products Stainless Steel Pass-Through Cabinets are constructed of 18 gauge, type 304 stainless steel with a No. 4 finish. All exposed welds to be done by Heliarc process and ground and polished to match No. 4 finish. Pass-Through Cabinets can be selected and arranged in many different ways to accommodate the storage and operational needs of any institution.

The cabinets have a self-trimming perimeter flange that allows for an easy and clean installation into recessed openings. The wall opening on the other side of the installation is finished with stainless steel trim strips. The cabinets are also available with optional finished ends and tops. The cabinets can be mounted on a contractor built base or supplied with a stainless steel pedestal base. Glass doors contain 1/4" thick safety plate glass. Entire front portion of door is punched and formed from one piece of 18 gauge stainless steel. Stainless steel double pan doors are also available. Doors are mounted on heavy duty chrome plated hinges and are secured closed using nylon friction roller catches. Two point knob lock doors are also available. Cabinets with shelves use pilaster strips that allow for height adjustment increments of 1/2". The pilaster strips are easily removed to allow for proper sterilization of the cabinet and pilaster strip. Handles for doors are chrome plated. The cabinets contain one fixed mid-shelf and two adjustable shelves. The pass-through feature allows for loading of cabinet from corridor side. An electronic interlock system is optional which permits access to one side of cabinet at a time.

Interlock power requirement is 15 AMPs /120V / 60HZ. Optional backup battery will last 6-8 hrs, in case of power failure.

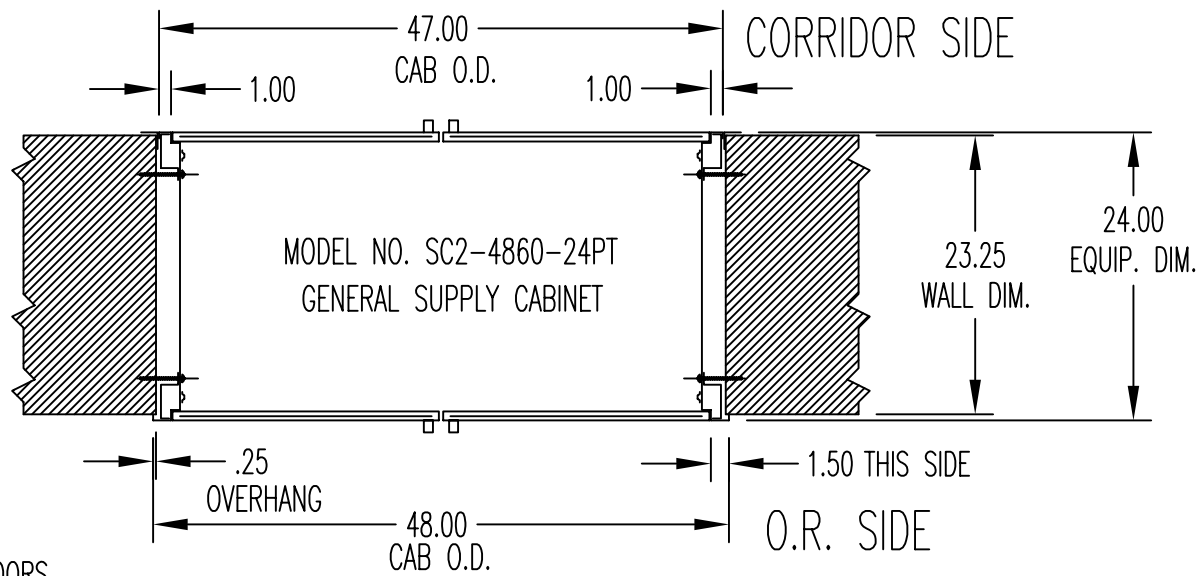
Standard Sizes:

<u>Model #</u>	<u>Dimensions</u>	<u>Options</u>
SC2-2460-18-PT	24" wide x 60" high x 18" deep	Hinged Glass Doors
SC2-3660-18-PT	36" wide x 60" high x 18" deep	Stainless Steel Double Pan Doors
SC2-4260-18-PT	42" wide x 60" high x 18" deep	Two-Point Knob Locks
SC2-4860-18-PT	48" wide x 60" high x 18" deep	Stainless Steel Finished Top
		Stainless Steel Finished Ends
		Gaskets
SC2-2460-24-PT	24" wide x 60" high x 24" deep	Electronic Interlock System
SC2-3660-24-PT	36" wide x 60" high x 24" deep	Back Up Battery Pack
SC2-4260-24-PT	42" wide x 60" high x 24" deep	Stainless Steel Pedestal Base
SC2-4860-24-PT	48" wide x 60" high x 24" deep	Stainless Steel Trim Strips
		Lead Lined Unit for X-Ray Protection
SC2-3660-29-PT	36" wide x 60" high x 29" deep	1/2" Thick Tempered Glass Shelves
SC2-4860-29-PT	48" wide x 60" high x 29" deep	Custom Sizes
		LED Interior Lights
SC2-2472-18-PT	24" wide x 72" high x 18" deep	Fire Rated Options
SC2-3672-18-PT	36" wide x 72" high x 18" deep	Modular Tray & Basket Accessories
		Warming Cabinet
SC2-4272-18-PT	42" wide x 72" high x 18" deep	
SC2-4872-18-PT	48" wide x 72" high x 18" deep	
SC2-2472-24-PT	24" wide x 72" high x 24" deep	
SC2-3672-24-PT	36" wide x 72" high x 24" deep	
SC2-4272-24-PT	42" wide x 72" high x 24" deep	
SC2-4872-24-PT	48" wide x 72" high x 24" deep	
SC2-3672-29-PT	36" wide x 72" high x 29" deep	
SC2-4872-29-PT	48" wide x 72" high x 29" deep	
SC2-4878-36-PT	48" w x 78" h x 36-3/4" deep	
SC2-4878-44-PT	48" w x 78" h x 44-3/4" deep	

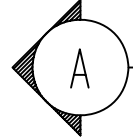
Small Pass Through Chambers

<u>Model #</u>	<u>Dimensions</u>
SC2-3632-18-PT	35 1/2" w x 32" h x 18 d
SC2-3632-24-PT	35 1/2" w x 32" h x 24 d
SC2-2224-18-PT	22.44" w x 23.93" h x 18 d
SC2-2224-24-PT	22.44" w x 23.93" h x 24 d

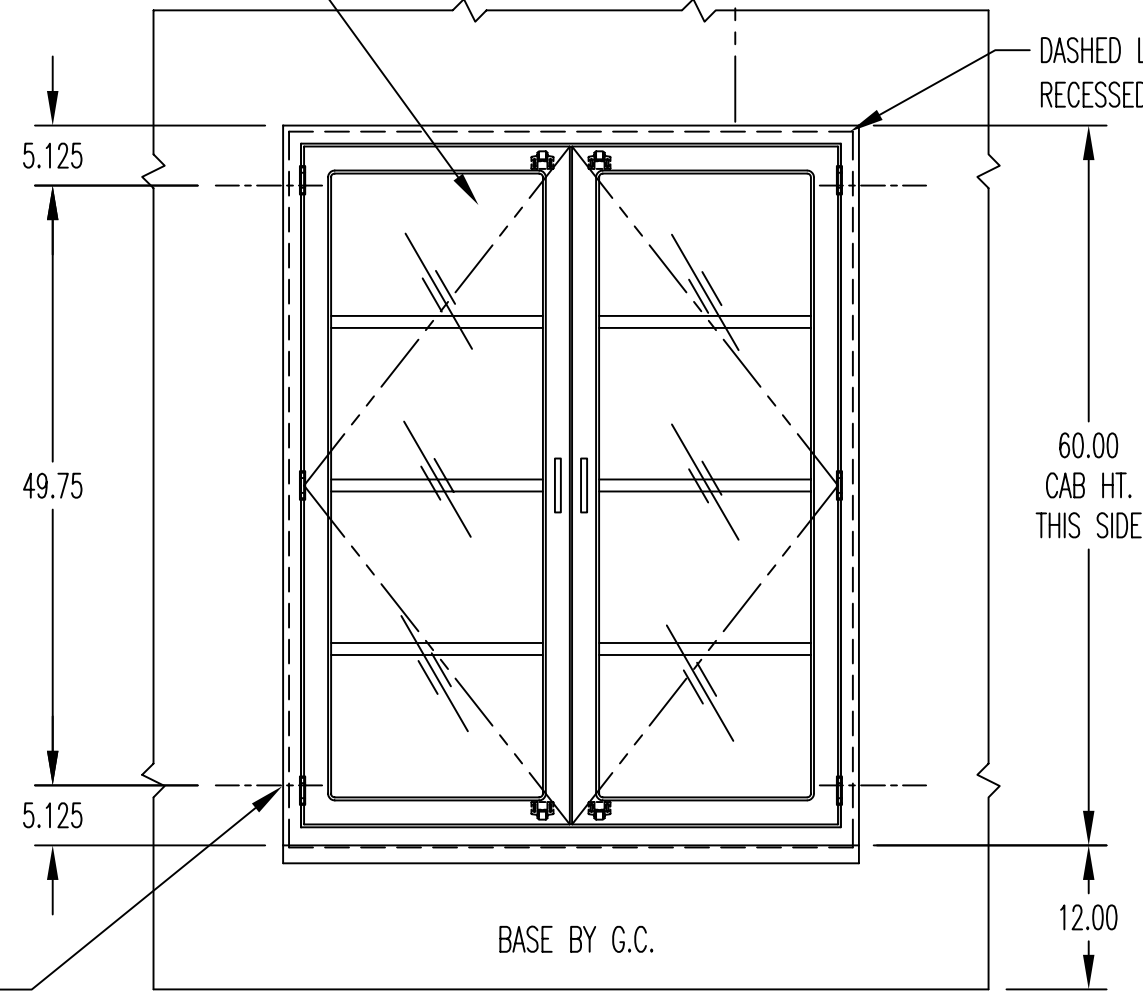
All these models are part of our standard product line.
Custom sizes are available.



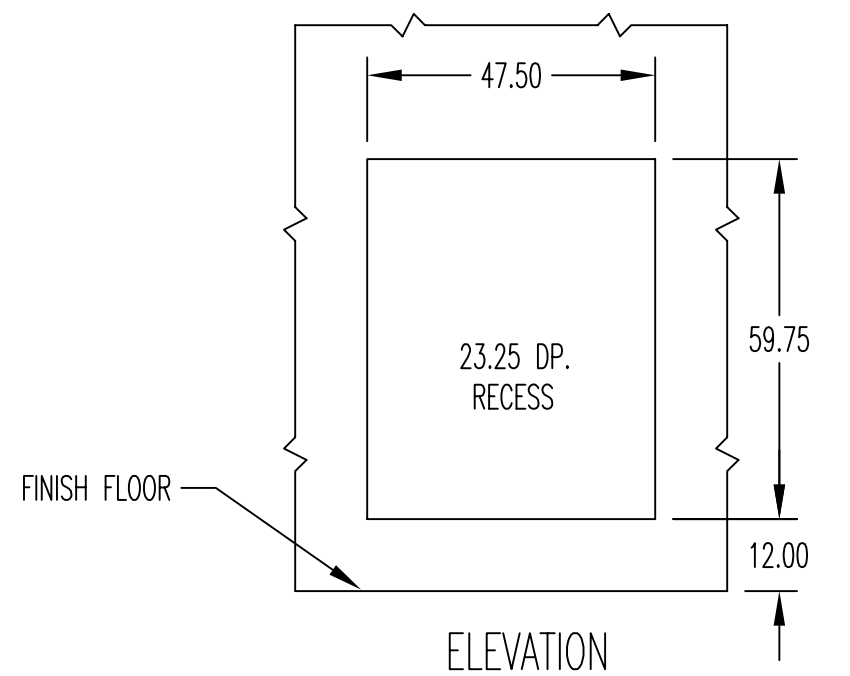
PLAN VIEW



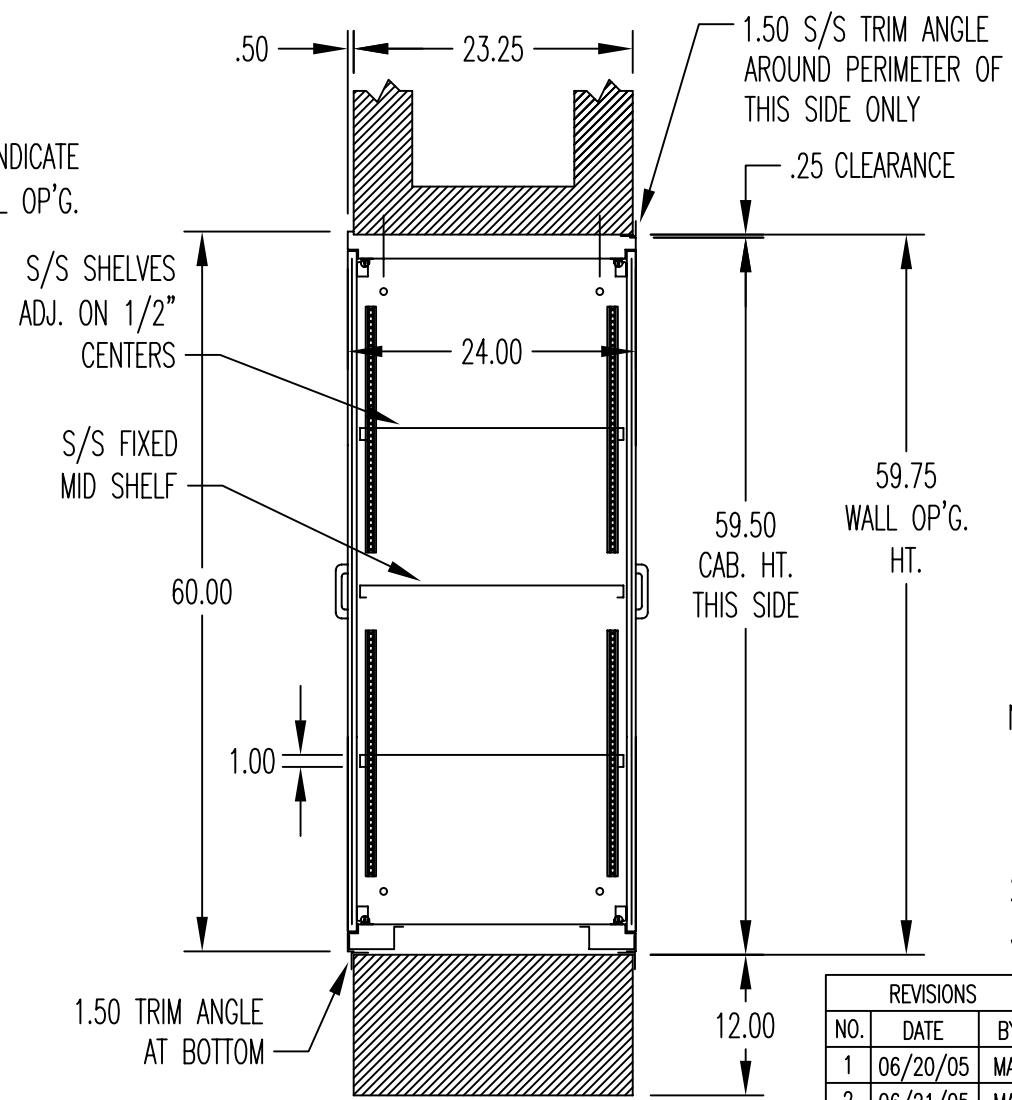
HINGED 1/4" SAFETY GLASS DOORS
W/ FRICTION ROLLER CATCH &
CHROME PLATED PULL HANDLES
(O.R. AND CORRIDOR SIDE)



FRONT ELEVATION



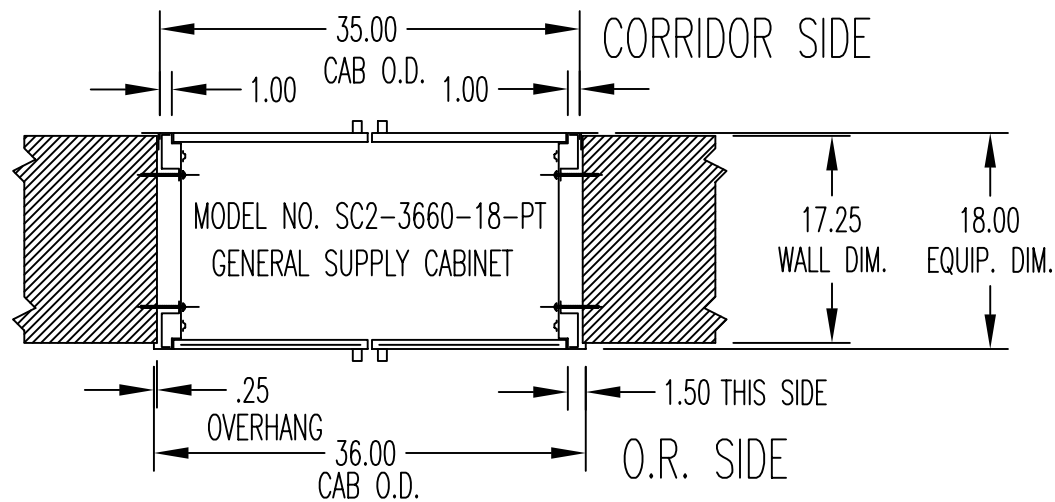
ELEVATION
FINISH WALL OP'G
SCALE: 3/8" = 12"



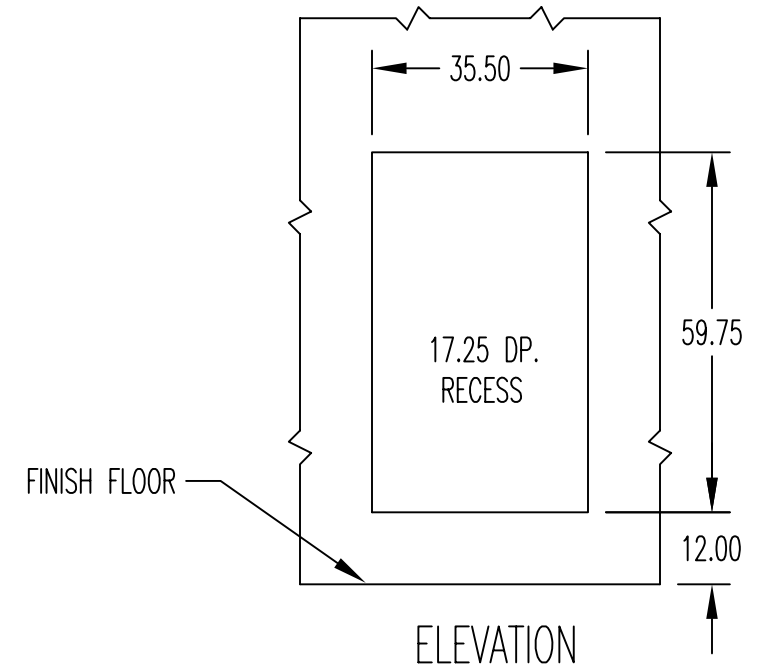
SECTION A

- NOTES:
1. CABINET CONSTRUCTED OF #18 GA. TYPE 304 STAINLESS STEEL W/ FRONTS WELDED AND POLISHED TO #4 FINISH.
 2. BASE SHALL BE BUILT BY G.C.
 3. ALL WALL FASTENERS PROVIDED BY INSTALLERS.

REVISIONS			CONTINENTAL METAL PRODUCTS CO., INC. 35 OLYMPIA AVE. - WOBURN, MA. 01888		
NO.	DATE	BY			
1	06/20/05	MAL	MODEL NO. SC2-4860-24PT S/S PASS-THRU STORAGE CONSOLES		
2	06/21/05	MAL			
SCALE: 3/4" = 12"			DATE: 06/01/2005	DRAWN: MAL	
SHEET: 1 OF 1			SYS AC	DWG NO. ACB-1497	REV 2



PLAN VIEW

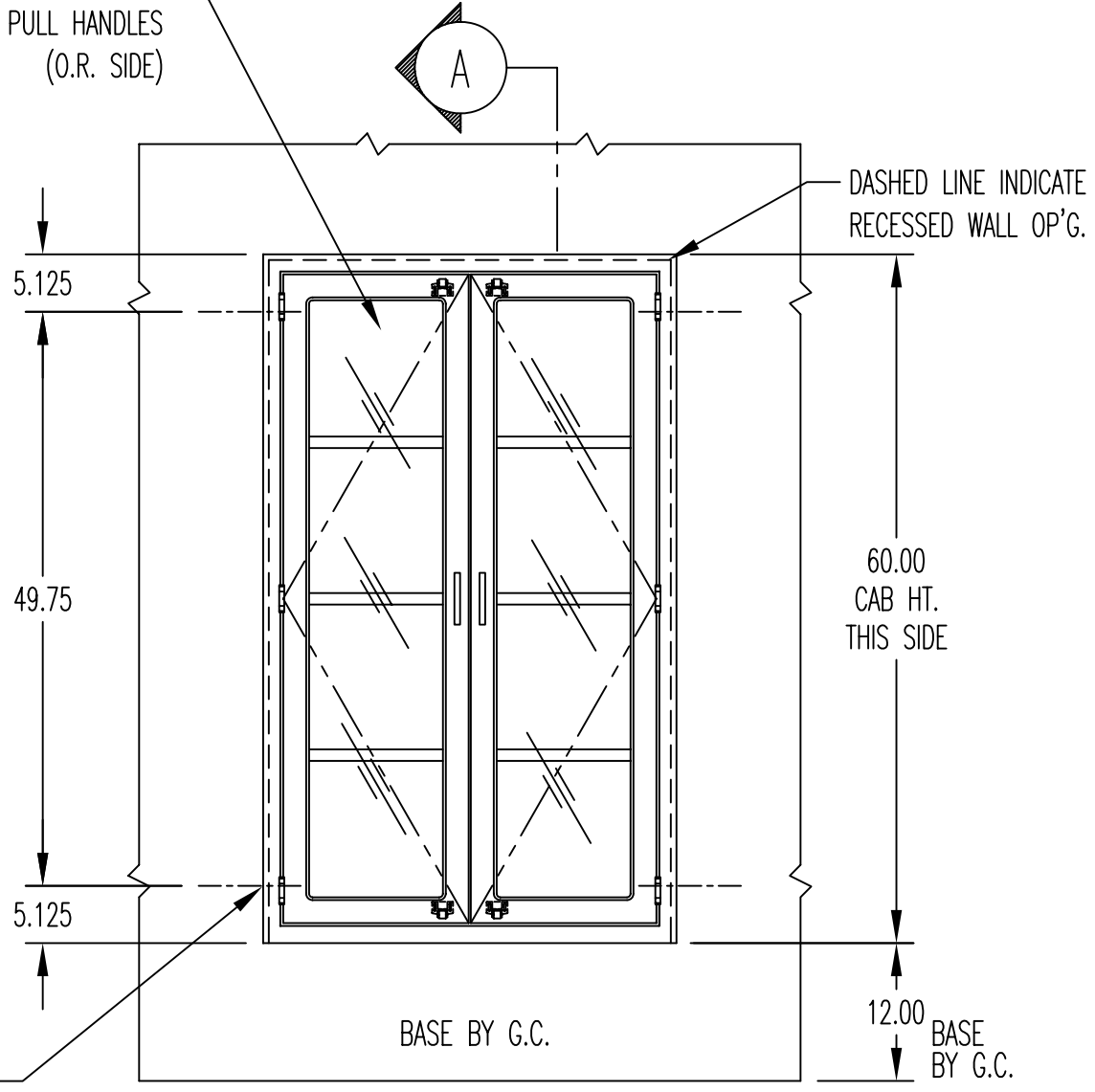


ELEVATION

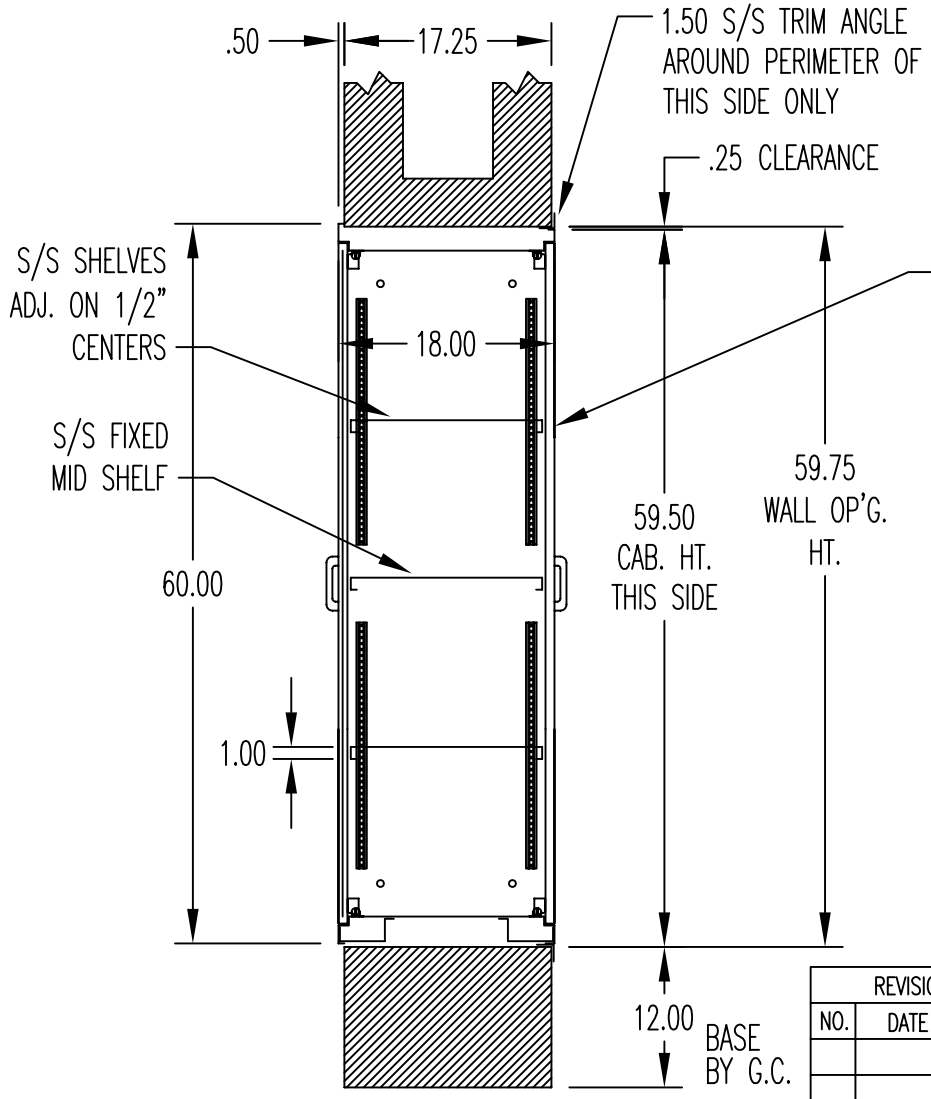
FINISH WALL OP'G

SCALE: 3/8" = 12"

HINGED 1/4" SAFETY GLASS DOORS
W/ FRICTION ROLLER CATCH &
CHROME PLATED PULL HANDLES
(O.R. SIDE)



FRONT ELEVATION

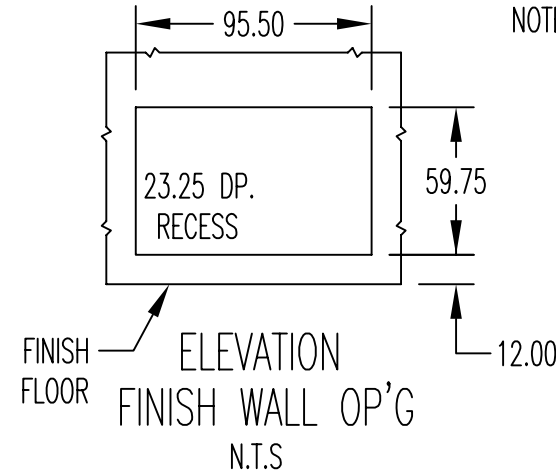
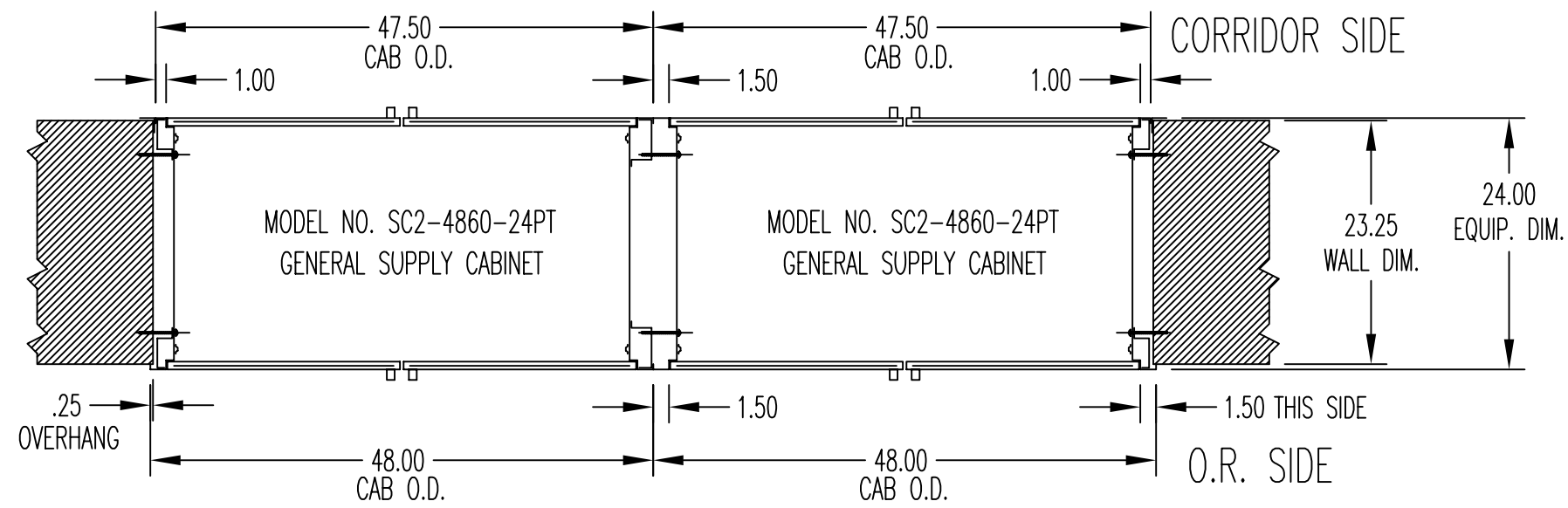


SECTION A

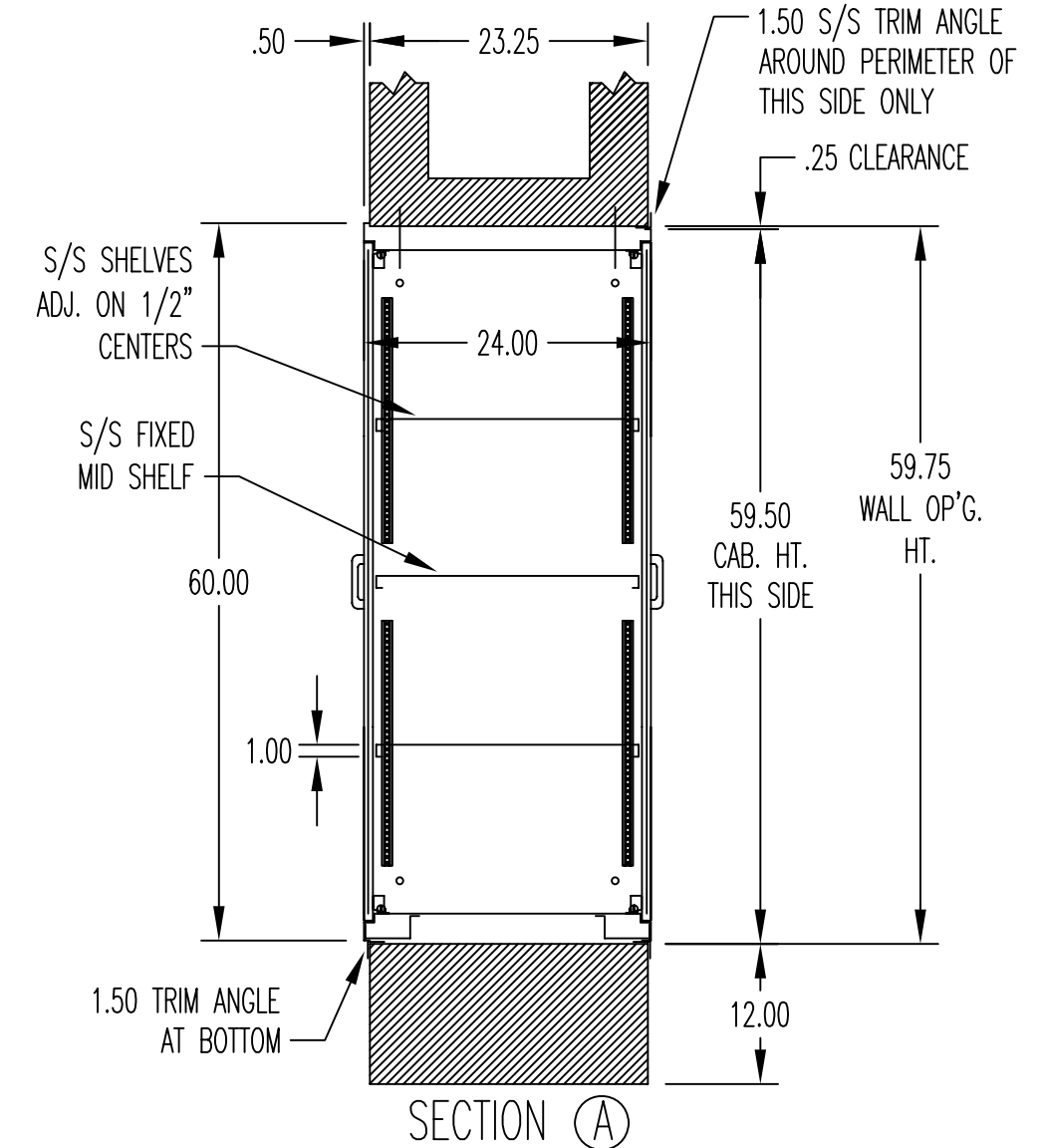
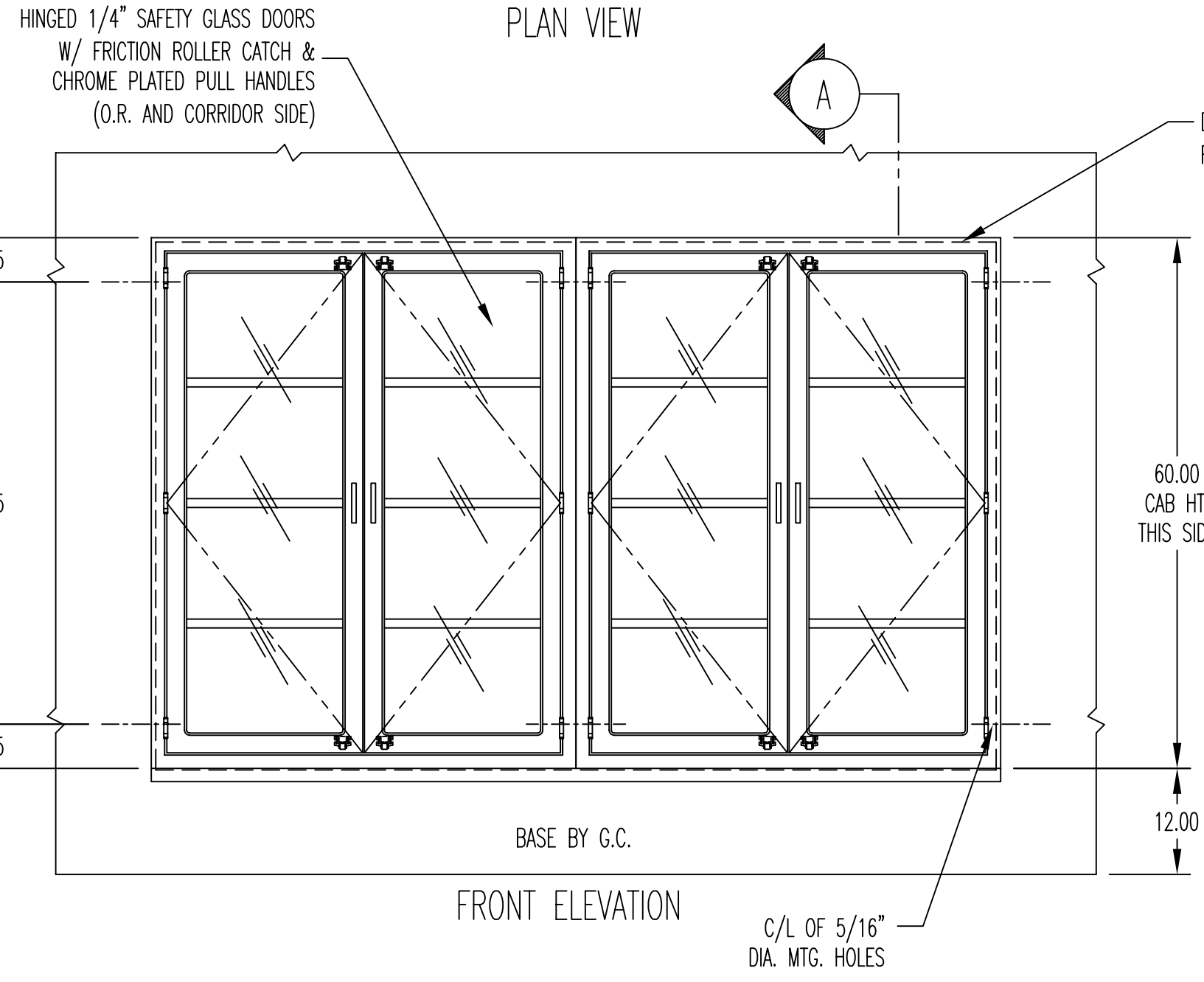
S/S DOUBLE PAN HINGED DOORS
W/ CHROME PLATED HINGES, FRICTION
ROLLER CATCH & CHROME PLATED PULL
HANDLES (CORRIDOR SIDE)

- NOTES:
1. CABINET CONSTRUCTED OF #18 GA. TYPE 304 STAINLESS STEEL W/ FRONTS WELDED AND POLISHED TO #4 FINISH.
 2. BASE SHALL BE BUILT BY G.C.
 3. ALL WALL FASTENERS PROVIDED BY INSTALLERS.

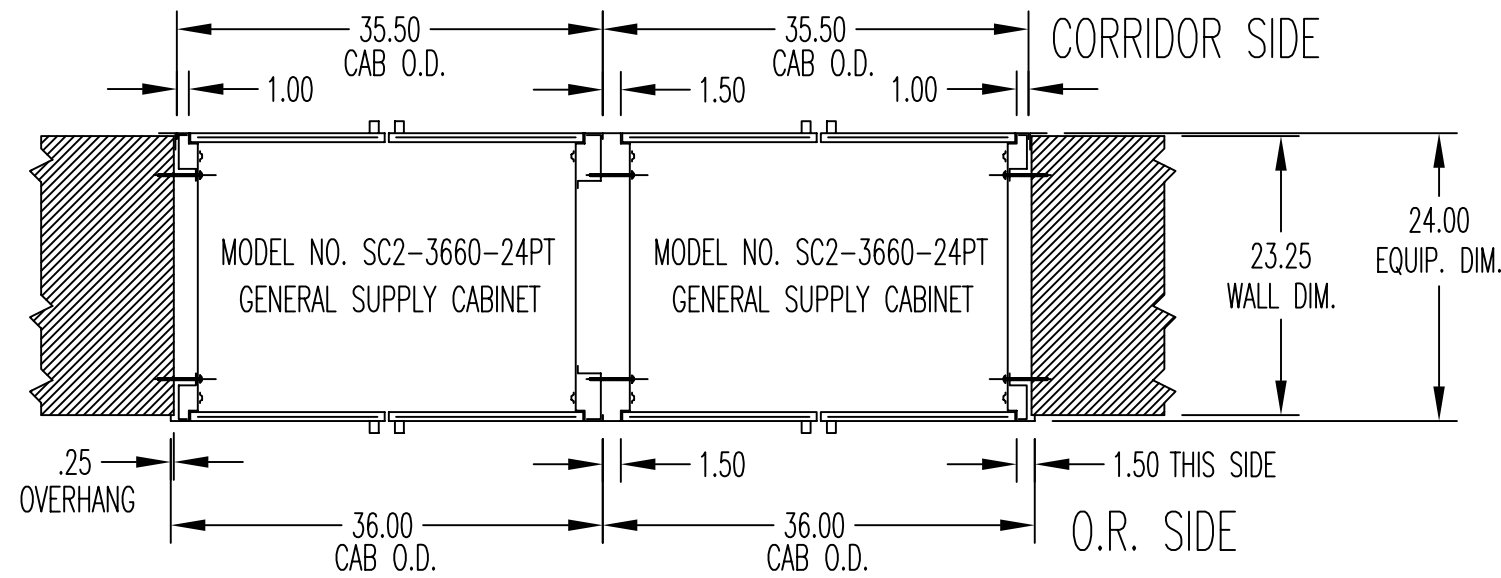
REVISIONS			CONTINENTAL METAL PRODUCTS CO., INC.		
NO.	DATE	BY	35 OLYMPIA AVE. - WOBURN, MA. 01888		
			MODEL NO. SC2-3660-18-PT		
			S/S PASS-THRU STORAGE CONSOLE		
			SCALE: 3/4"=12"	DATE: 05/02/2011	DRAWN: MAL
			SHEET: 1 OF 1	SYS AC	DWG NO. ACB-1723
					REV



- NOTES:
1. CABINETS CONSTRUCTED OF #18 GA. TYPE 304 STAINLESS STEEL W/ FRONTS WELDED AND POLISHED TO #4 FINISH.
 2. BASE SHALL BE BUILT BY G.C.
 3. ALL WALL FASTENERS PROVIDED BY INSTALLERS.
 4. EACH CABINET SHIPPED IN ONE PIECE, READY FOR FIELD ATTACHMENT TO ADJACENT CABINET AT INSTALLATION.
 5. WALLS ARE DRAWN FOR A TYPICAL INSTALLATION OF PASS THROUGH CABINETS.

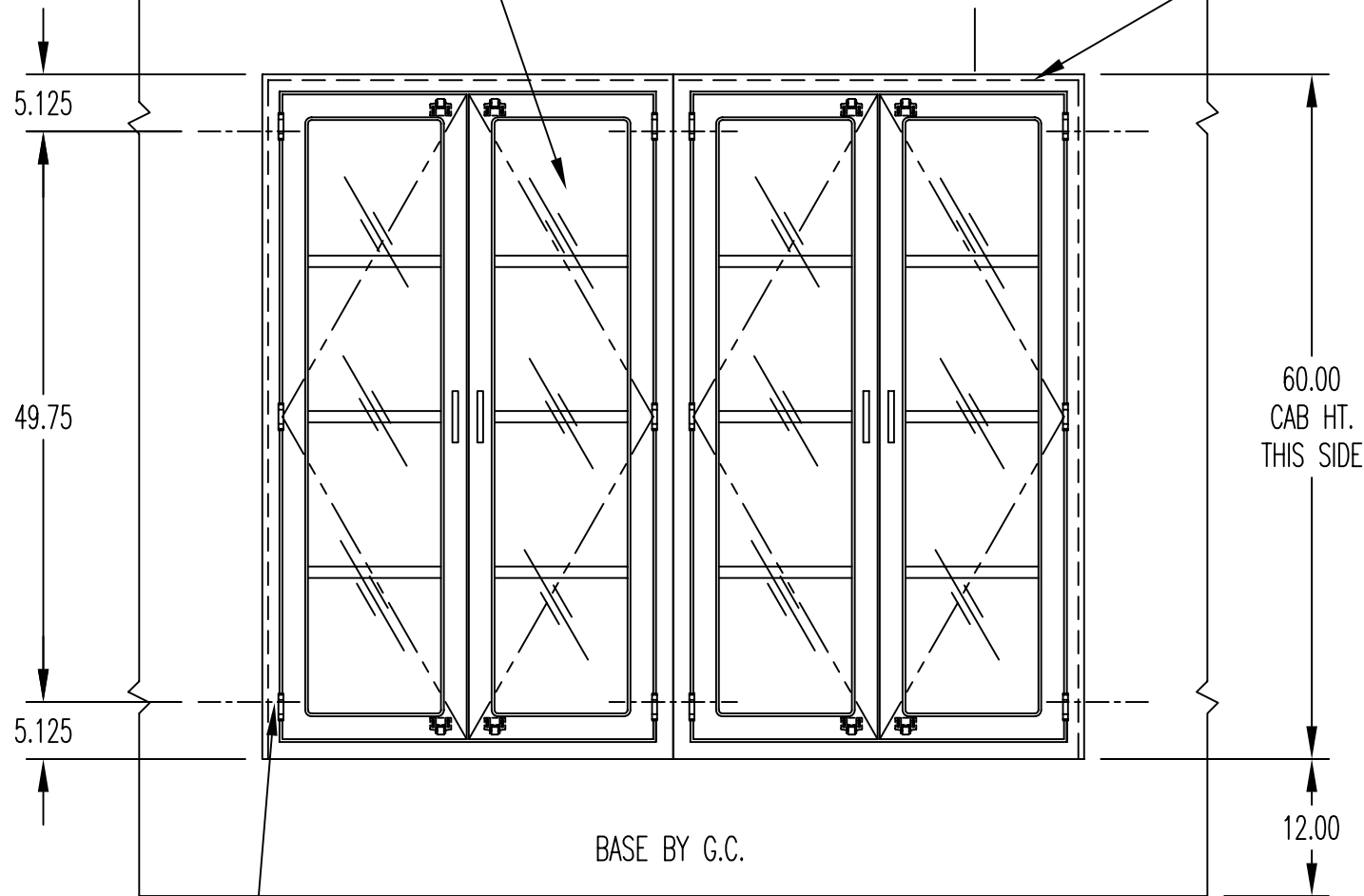


REVISIONS			CONTINENTAL METAL PRODUCTS CO., INC.		
NO.	DATE	BY	35 OLYMPIA AVE. - WOBURN, MA. 01888		
			MODEL NO. SC2-4860-24PT		
			S/S PASS-THRU STORAGE CONSOLES		
			SCALE: 3/4"=12"	DATE: 12/02/2005	DRAWN: MAL
			SHEET: 1 OF 1	SYS AC	DWG NO. ACB-1526-1
					REV



PLAN VIEW

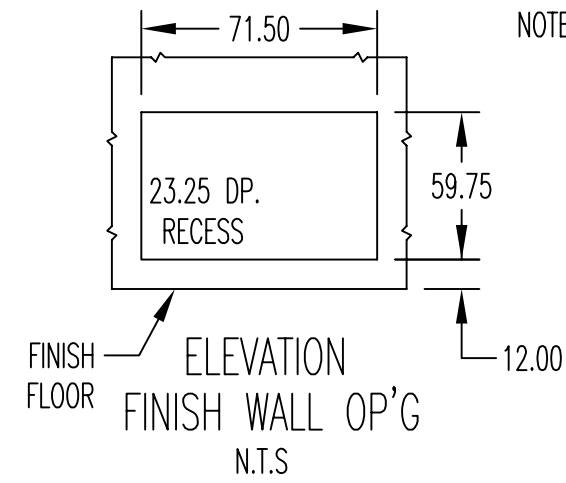
HINGED 1/4" SAFETY GLASS DOORS
W/ FRICTION ROLLER CATCH &
CHROME PLATED PULL HANDLES
(O.R. AND CORRIDOR SIDE)



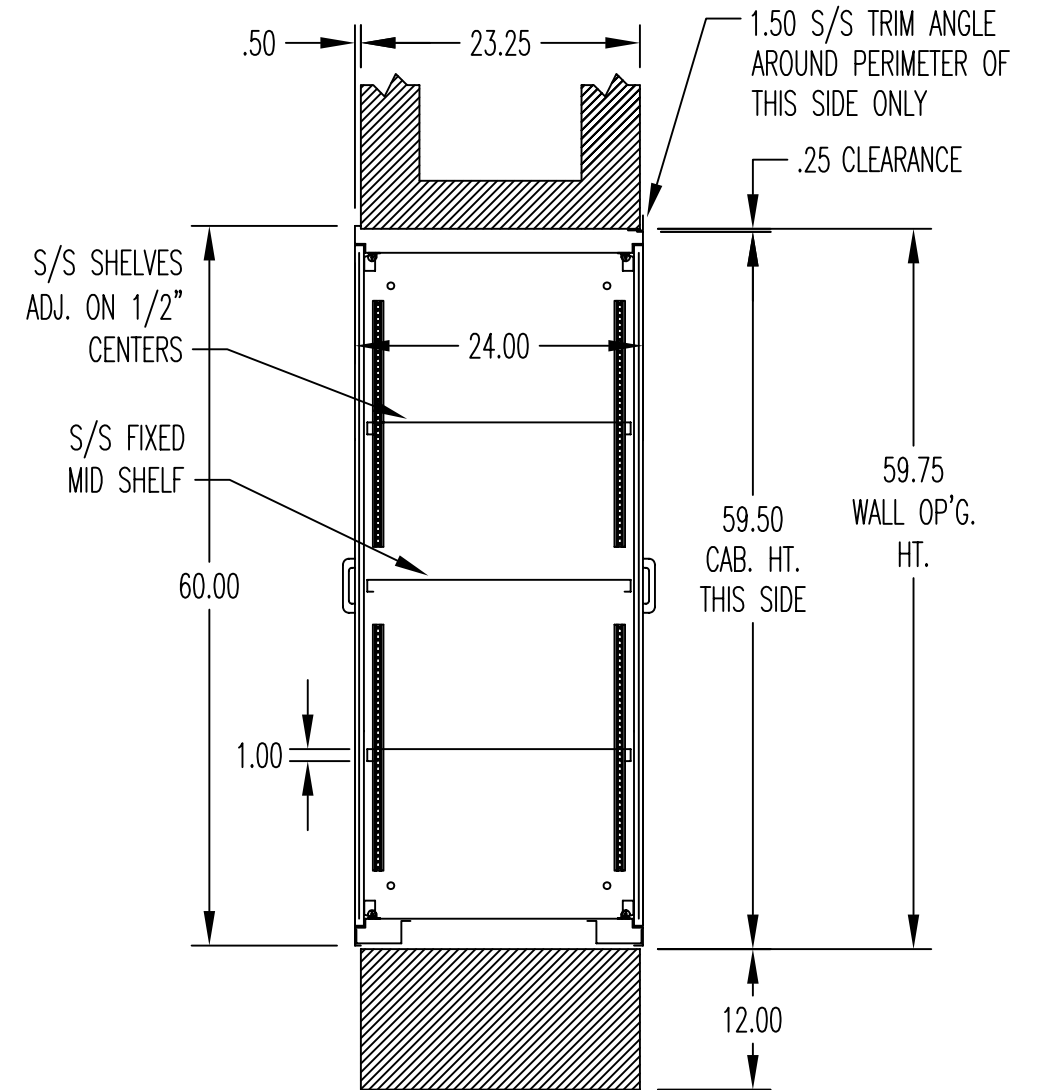
FRONT ELEVATION

C/L OF 5/16"
DIA. MTG. HOLES

DASHED LINE INDICATE
RECESSED WALL OP'G.



- NOTES: 1. CABINETS CONSTRUCTED OF #18 GA. TYPE 304 STAINLESS STEEL W/ FRONTS WELDED AND POLISHED TO #4 FINISH.
2. BASE SHALL BE BUILT BY G.C.
3. ALL WALL FASTENERS PROVIDED BY INSTALLERS.
4. EACH CABINET SHIPPED IN ONE PIECE, READY FOR FIELD ATTACHMENT TO ADJACENT CABINET AT INSTALLATION.



SECTION (A)

REVISIONS			CONTINENTAL METAL PRODUCTS CO., INC.		
NO.	DATE	BY	35 OLYMPIA AVE. - WOBURN, MA. 01888		
			MODEL NO. SC2-3660-24-PT		
			S/S PASS-THRU STORAGE CONSOLES		
			SCALE: 3/4"=12"	DATE: 08/25/2008	DRAWN: MAL
			SHEET: 1 OF 1	SYS AC	DWG NO. ACB-1737
					REV