



CONTINENTAL METAL PRODUCTS

Stainless Steel Healthcare Equipment  
Meeting the Demands of the OR

# Stainless Steel Linen Inspection Tables

healthcare division

Proudly Made in the  
USA for over 69 years



CMP Linen Inspection Tables are high quality stainless steel tables designed for inspection and folding of hospital linens, drapes and packing wraps. Rips and tears in bedsheets, pillowcases, blankets, towels, etc. can be detected easily and quickly after each laundering. Our Linen Inspection Tables provide a large illuminated work surface that has been designed for the hospital and emergency room environment. CMP current model, high quality stainless steel Linen Inspection Tables have been updated with LED lights to replace the traditional fluorescent strip lights. CMP is so confident in our quality and craftsmanship that we offer a two year labor and six year parts warranty.

### **CMP Model # LI-9644**

Outside Area Dimensions: 96" Wide x 44" Deep x 36" High

#### Features:

- Stainless Steel Construction
- LED illuminated inspection surface
- 4000K color temperature (CCT)
- Clear Plexiglas Diffuser
- Projected life is 50,000 hours at 70% lumen output.
- Adjustable Bullet Feet
- Optional Dimming Switch
- Optional Casters with Locks

Continental Metal Products Co., Inc. – 35 Olympia Avenue, Woburn, MA 01801  
Phone (781) 935-4400 FAX (781) 935-4404 [www.continentalmetal.com](http://www.continentalmetal.com) [sales@continentalmetal.com](mailto:sales@continentalmetal.com)



CONTINENTAL METAL PRODUCTS

Stainless Steel Healthcare Equipment  
Meeting the Demands of the OR

# Stainless Steel Linen Inspection Tables

healthcare division

Proudly Made in the  
USA for over 69 years



## Dimensions:

- Width: 96" (2438 mm)
- Depth: 44" (1118 mm)
- Height: 36" high (914 mm)

## Specifications Application:

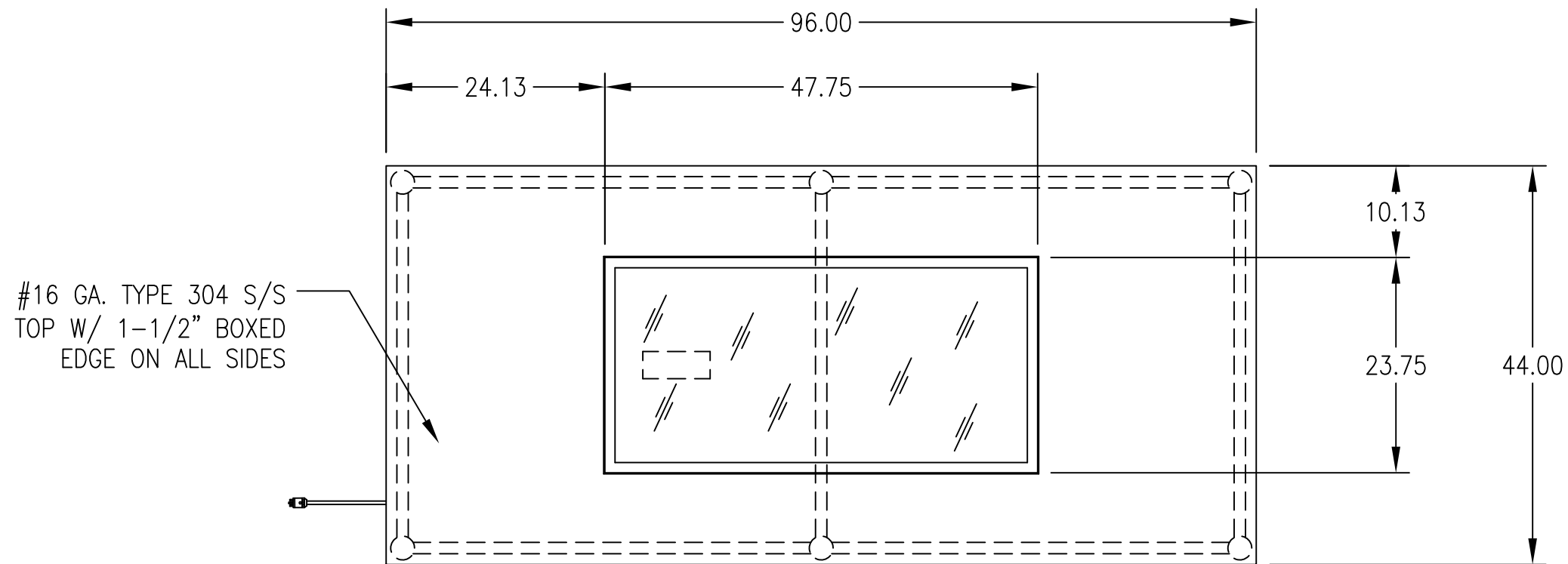
CMP Linen Inspection is designed for inspection and folding of hospital linens. Rips and tears in bedsheets, pillowcases, blankets, towels, etc. can be detected easily and quickly after laundering. It is best suited for locating in laundry areas.

## Construction:

CMP Linen Inspection Tables are constructed of type 304 stainless steel. Welding is done by the Heli arc process. All exposed welding is ground and polished to match the No. 4 finish.

## Counter Top:

CMP Linen Inspection Tables have a counter top working surfaces that is 36" high (914 mm). The counter top is constructed of No. 16 gauge (1.5 mm) stainless steel with 1½" (38 mm) boxed perimeter edge all around. The counter top is recessed and fitted with a flush mounted, thick clear translucent Plexiglas diffuser. A LED light panel with continuous air louvers is located directly below the diffuser pane. Lights are pre-wired to a rocker arm light switch and 10 ft. long hospital grade power cord and plug at end of table for connecting to a range of 100-277V, 50/60 Hz, single phase electric receptacle. The under structure is supported with six 1 5/8" diameter stainless steel tubular legs with adjustable bullet feet and 1" diameter perimeter cross bracing continuously welded to uprights.



#16 GA. TYPE 304 S/S  
TOP W/ 1-1/2" BOXED  
EDGE ON ALL SIDES

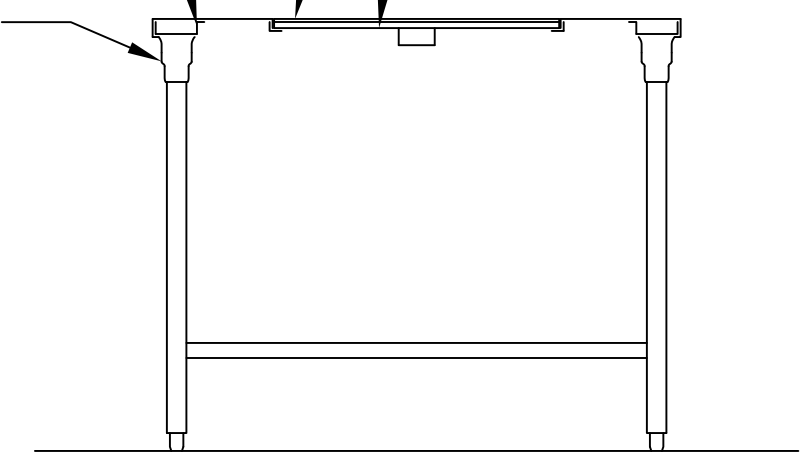
PLAN

1/4" THK. CLEAR  
TRANSLUCENT  
PLEXIGLASS

100-277V, 50/60HZ  
LED LIGHT PANEL, 40W,  
4,286 LUMENS

STAINLESS  
STEEL  
CHANNELS

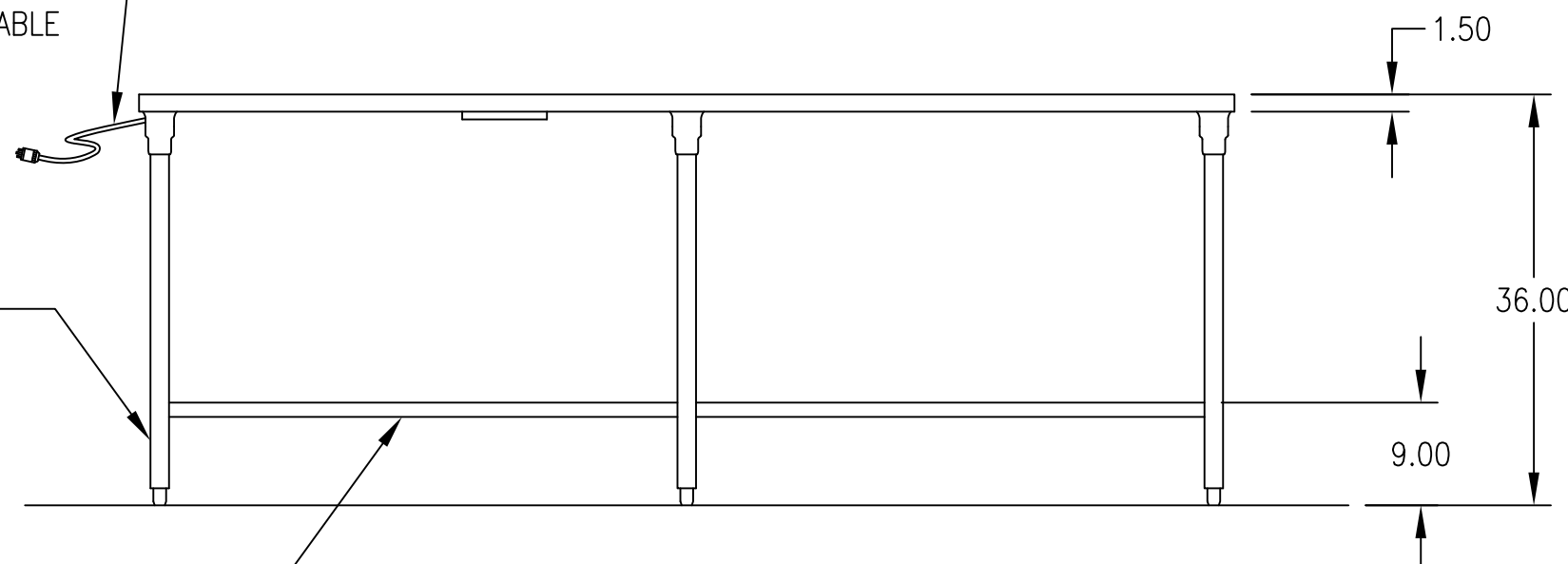
S/S LEG SOCKET



SECTION

10 FT. LONG POWER CORD  
W/ INTEGRAL SWITCH.  
NEMA 5-15 OR BS TYPE  
G PLUG IS STANDARD.  
OTHER PLUGS AVAILABLE


1-5/8" DIA. S/S  
TUBULAR LEGS  
W/ ADJUSTABLE  
BULLET FEET



ELEVATION

1-1/4" DIA. TUBULAR  
CROSSBRACING

DIMENSIONS ARE IN INCHES

REVISIONS			 CONTINENTAL METAL PRODUCTS CO., INC. 35 OLYMPIA AVE. - WOBURN, MA. 01888		
NO.	DATE	BY			
			MODEL NO. LI9644		
			LINEN INSPECTION TABLE		
			SCALE: 3/4"=12"	DATE: 01/27/2017	DRAWN: PM
			SHEET: 1 OF 1	SYS AC	DWG NO. ACB-1916
					REV