



CONTINENTAL METAL PRODUCTS

Stainless Steel Healthcare Equipment  
Meeting the Demands of the OR

healthcare division

Proudly Made in the  
USA for over 70 years



# Lead-Lined Pass-Through Windows



CMP has been building Lead Lined Stainless Steel Pass-Through Windows for over 70 years. The Pass-Through Window shall facilitate movement of items between Medical Diagnostic X-Ray Imaging or Radiation Therapy and other areas. Pass-Through Windows are available in many standard sizes and can also be customized to meet. These assemblies are designed for ease of installation into retro-fit applications in Medical Diagnostic Imaging Rooms, Radiation Therapy Facilities or Industrial X-Ray NDT rooms. Provides a clear view while additionally shielding X-Ray/Gamma radiation, and 95% of UV protection.

CMP is so confident in our quality and craftsmanship that we offer a two-year labor and six year parts warranty.

### Features:

- Stainless Steel Construction
- Wall Frame
- Hinged Doors
- Double Pan Solid Door Option
- 5/16" X-Ray Safety Glass
- X-Ray Protective Lead Glass factory set
- federal and medical building safety code compliant
- Many Standard Sizes Available
- Set Down Counter Option
- 2mm (5#) Lead Equivalent based @150 KVP
- meets ANSI Z97.1 and CPSC 16 CFR 1201 CAT 11 Requirments for Impact resistance

Continental Metal Products Co., Inc. – 35 Olympia Avenue, Woburn, MA 01801  
Phone (781) 935-4400 FAX (781) 935-4404 [www.continentalmetal.com](http://www.continentalmetal.com) [sales@continentalmetal.com](mailto:sales@continentalmetal.com)



CONTINENTAL METAL PRODUCTS

Stainless Steel Healthcare Equipment  
Meeting the Demands of the OR

healthcare division

Proudly Made in the  
USA for over 70 years



# Lead-Lined Pass-Through Windows

## Specifications:

### Construction:

The Pass-Through Window assembly shall be constructed entirely of type 304 stainless steel polished to a no. 4 finish. The Pass-Through Window assembly shall facilitate movement of items between the decontamination area and prep/package and sterilization areas.

### Set Down Counter:

Constructed on no. 16 gauge stainless steel with 1-1/2" high boxed edge and cantilever wall support brackets on each end. Underside of the counter is reinforced with channel stiffeners. Custom sizes available.

### Pass-Through Window:

Hinged window, constructed with 5/16" thick X-Ray Safety glass window pane. Providing 2 mm Lead Equivalent and 5 .0 lbs.-lead equivalent / sq. ft.

Clear opening is 33.5" wide x 30" high. Dimensions listed is for Model PTW-3632-H.

Solid hinged window available, Clear opening is 20.12" wide x 21.87" high. Dimensions listed is for Model PTW-2124-H.

### X-Ray Safety Glass

Designed for Medical Diagnostic X-Ray Imaging or Radiation Therapy. Permanently rated as ANSI Z.97.1 and CPSC 16 CFR 1201 Category 2 as required. Meets impact penetration tests and requirements. Meets all current glass safety codes for impact resistance and is permanently labeled accordingly as per ANSI Z97.1 and CPSC 16 CFR 1201 Cat 2 and IBC 2406 requirements for hazardous locations indoors and this is particularly applicable in a medical facility environment

## Models:

- PTW-2124-H (21.44" wide x 23.93" high, solid window only, reference drawing ACB-1573)
- PTW-3632-H (35.50" wide x 32" high, window only, reference drawing CKB-1089, ACB-1553)

## Options:

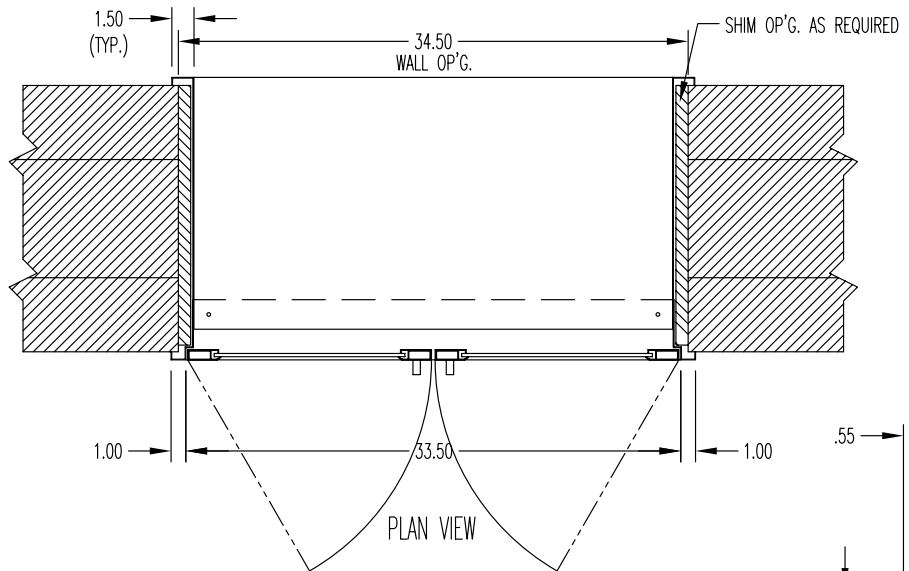
- Set Down Counter available in any size
- Pass-Through Window
- Wall Frame
- Wall Thickness: \_\_\_\_\_ inches
- Hinged Solid Doors
- Hinged Lead-Lined Glass Doors
- Custom Sizes Available

Continental Metal Products Co., Inc. – 35 Olympia Avenue, Woburn, MA 01801

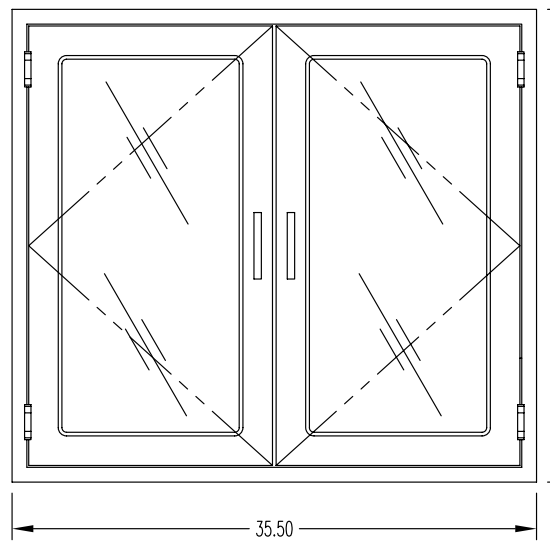
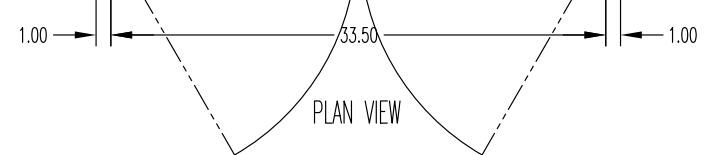
Phone (781) 935-4400 FAX (781) 935-4404

[www.continentalmetal.com](http://www.continentalmetal.com) [sales@continentalmetal.com](mailto:sales@continentalmetal.com)

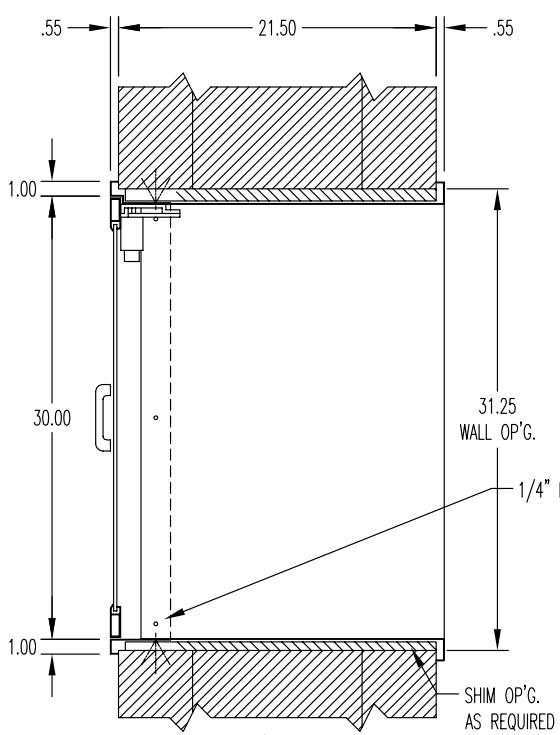




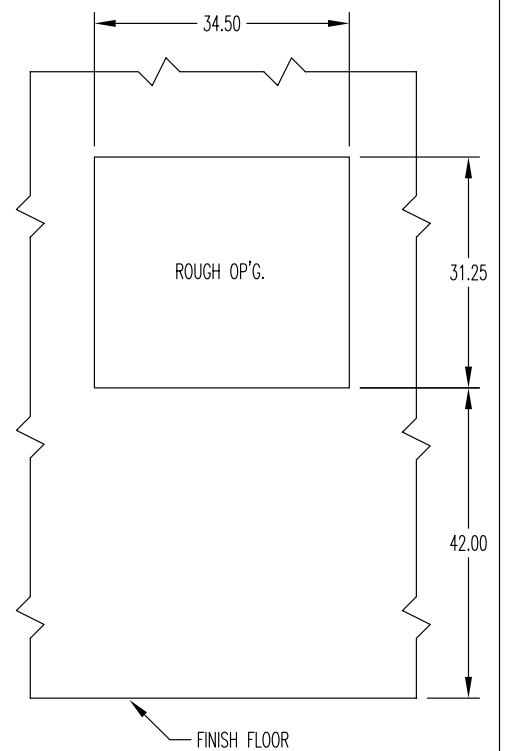
- NOTES:
1. ALL S/S SHALL BE TYPE 304 W/ ALL EXPOSED SURFACES POLISHED TO #4 FINISH.
  2. #18 GA. S/S TELESOPING PASS-THROUGH FRAME W/ CORNERS WELDED, GROUND AND POLISHED TO MATCH #4 FINISH.
  3. HINGED DOORS W/ 5/16" THK. X-RAY SAFETY GLASS, S/S PERIMETER FRAME, CHROME PLATED INSTITUTIONAL HINGES, CHROME PLATED PULL HANDLES AND PNEUMATIC PUMP FOR SELF CLOSING.



ELEVATION



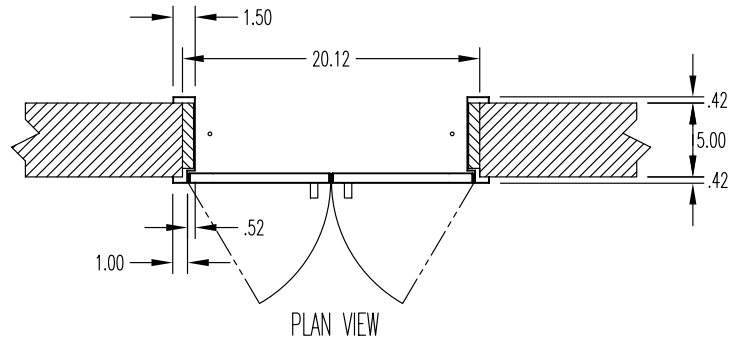
SECTION



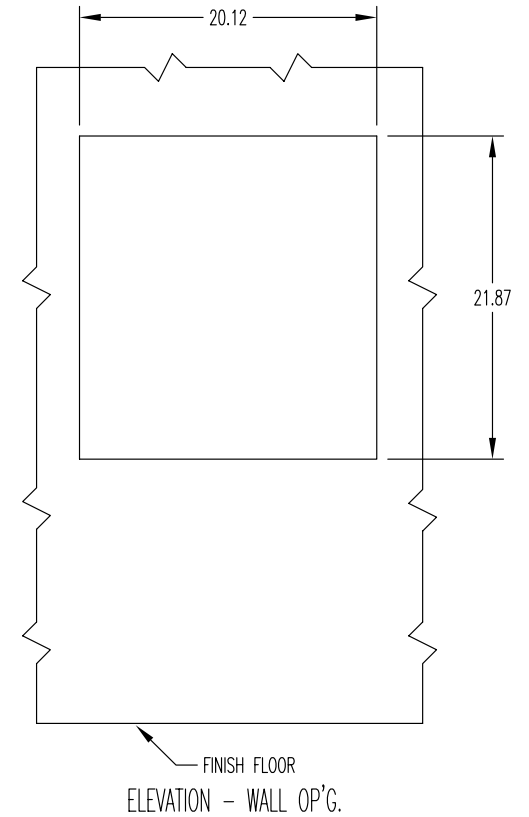
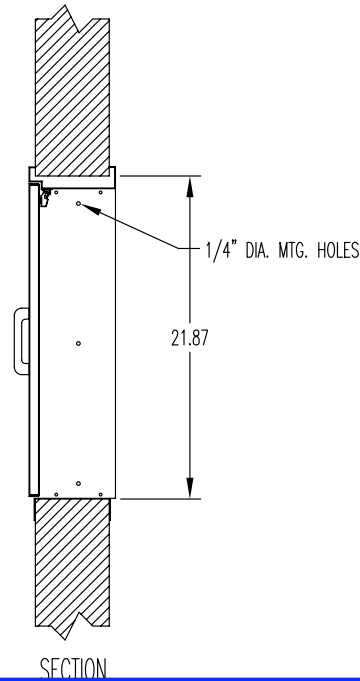
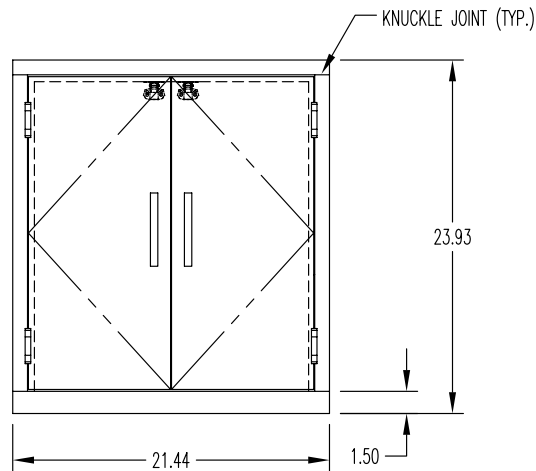
ELEVATION - WALL OP'G.

CMP Model for #PTW-3632-H

REVISIONS			CONTINENTAL METAL PRODUCTS CO., INC.		
NO.	DATE	BY	35 OLYMPIA AVE. - WOBURN, MA. 01888		
1	04/11/06	PM	PASS-THROUGH WINDOW ASSEMBLY		
			SCALE: 1-1/2"=12"	DATE: 03/28/2006	DRAWN: PM
			SYS DWG NO.	ACB-1553	REV 1
			SHEET: 1 OF 1	AC	



- NOTES:
1. ALL S/S SHALL BE TYPE 304 W/ ALL EXPOSED SURFACES POLISHED TO #4 FINISH.
  2. HINGED DOORS, DOUBLE PAN W/ SOUND DEADENING, CHROME PLATED INSTITUTIONAL HINGES, CHROME PLATED PULL HANDLES AND ROLLER CATCH.
  3. FRAME CONSTRUCTED OF (4) SEPARATE PIECES W/ KNUCKLE JOINT ON FACE. FRAME SHIPPED UNASSEMBLED TO FACILITATE INSTALLATION AND ASSEMBLED IN "FIELD".



**CMP Model for #PTW-2124-H**

REVISIONS			CONTINENTAL METAL PRODUCTS CO., INC.		
NO.	DATE	BY	35 OLYMPIA AVE. - WOBURN, MA. 01888		
1	11-22-06	PM	PASS-THRU WINDOW ASSEMBLY		
SCALE: 1-1/2"=12"		DATE: 11/7/2006	DRAWN: PM		
SHEET: 1 OF 1		SYS AC	DWG. NO. ACB-1573	REV	1