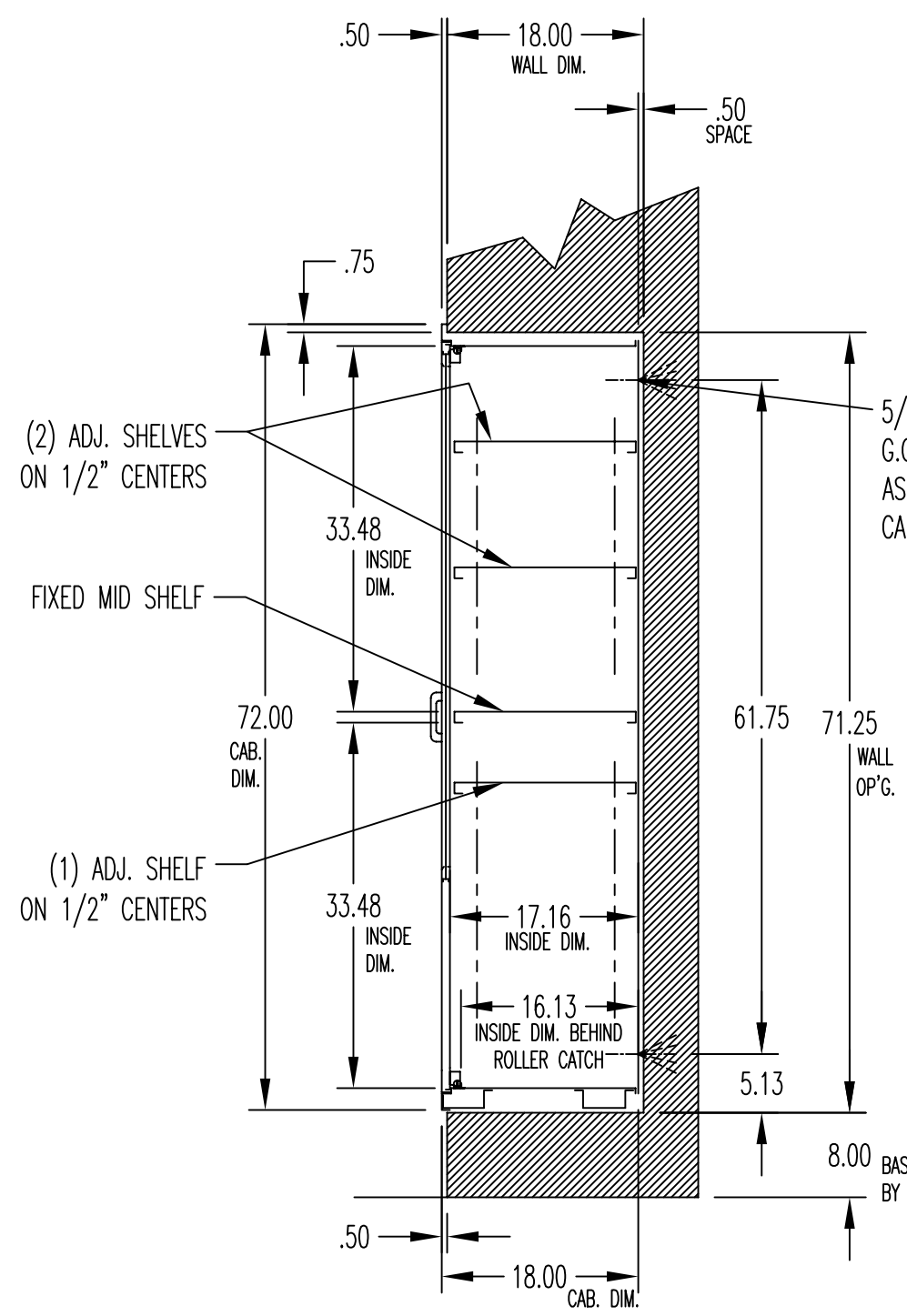
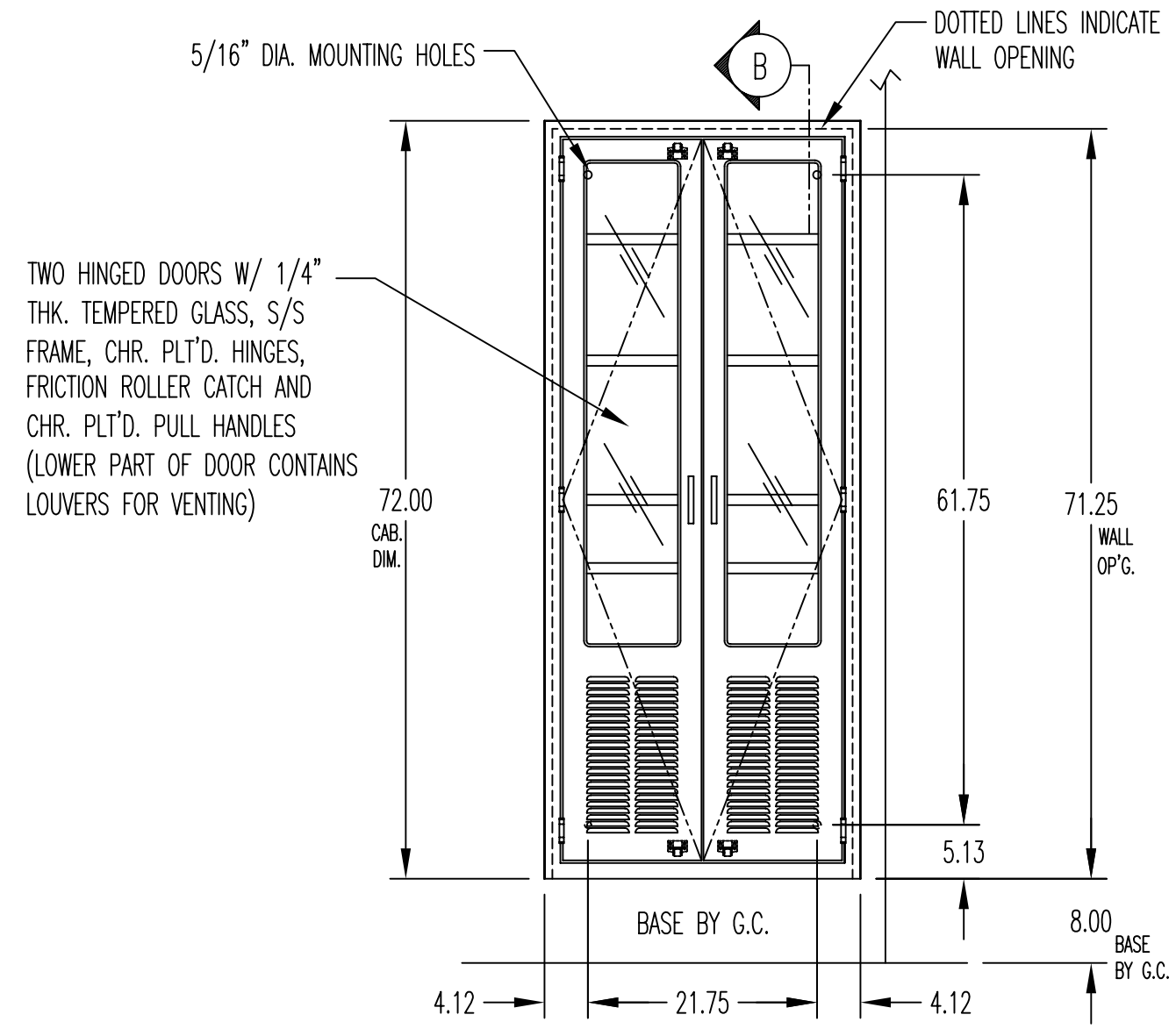


PLAN VIEW



SECTION (B)

- NOTES:
1. CABINET CONSTRUCTED OF #18 GA. TYPE 304 STAINLESS STEEL W/ FRONTS WELDED AND POLISHED TO #4 FINISH.
 2. ALL WALL FASTENERS FURNISHED BY INSTALLERS.
 3. OPENING FOR DUCTWORK TO BE CUT IN FIELD BY OTHERS (IF REQ'D.)
 4. CUTOUTS IN TOP, BACK OR SIDE PANELS FOR ELECTRICAL OR OTHER JUNCTION BOXES BY OTHERS (IF REQ'D.)



ELEVATION

(2) ADJ. SHELVES ON 1/2" CENTERS

FIXED MID SHELF

(1) ADJ. SHELF ON 1/2" CENTERS

5/16" DIA. MTG. HOLES G.C. PROVIDE BLOCKING AS REQ'D. FOR SECURING CABINETS

TWO HINGED DOORS W/ 1/4" THK. TEMPERED GLASS, S/S FRAME, CHR. PLT'D. HINGES, FRICTION ROLLER CATCH AND CHR. PLT'D. PULL HANDLES (LOWER PART OF DOOR CONTAINS LOUVERS FOR VENTING)

FIXED AND ADJUSTABLE SHELVES ARE PERFORATED FOR VENTING AND CONTAIN (4) GROMMETS EACH FOR ROUTING WIRES

ONE (1) REQ'D AS SHOWN (OR K12 - TRAUMA - K381)

REVISIONS			 CONTINENTAL METAL PRODUCTS CO., INC. 35 OLYMPIA AVE. - WOBURN, MA. 01888	
NO.	DATE	BY		
			STAINLESS STEEL INTEGRATION CABINET	
SCALE: 3/4"=12"		DATE: 09/24/2015	DRAWN: MAL	
SHEET: 1 OF 1		SYS AC	DWG NO. ACB-1857	REV