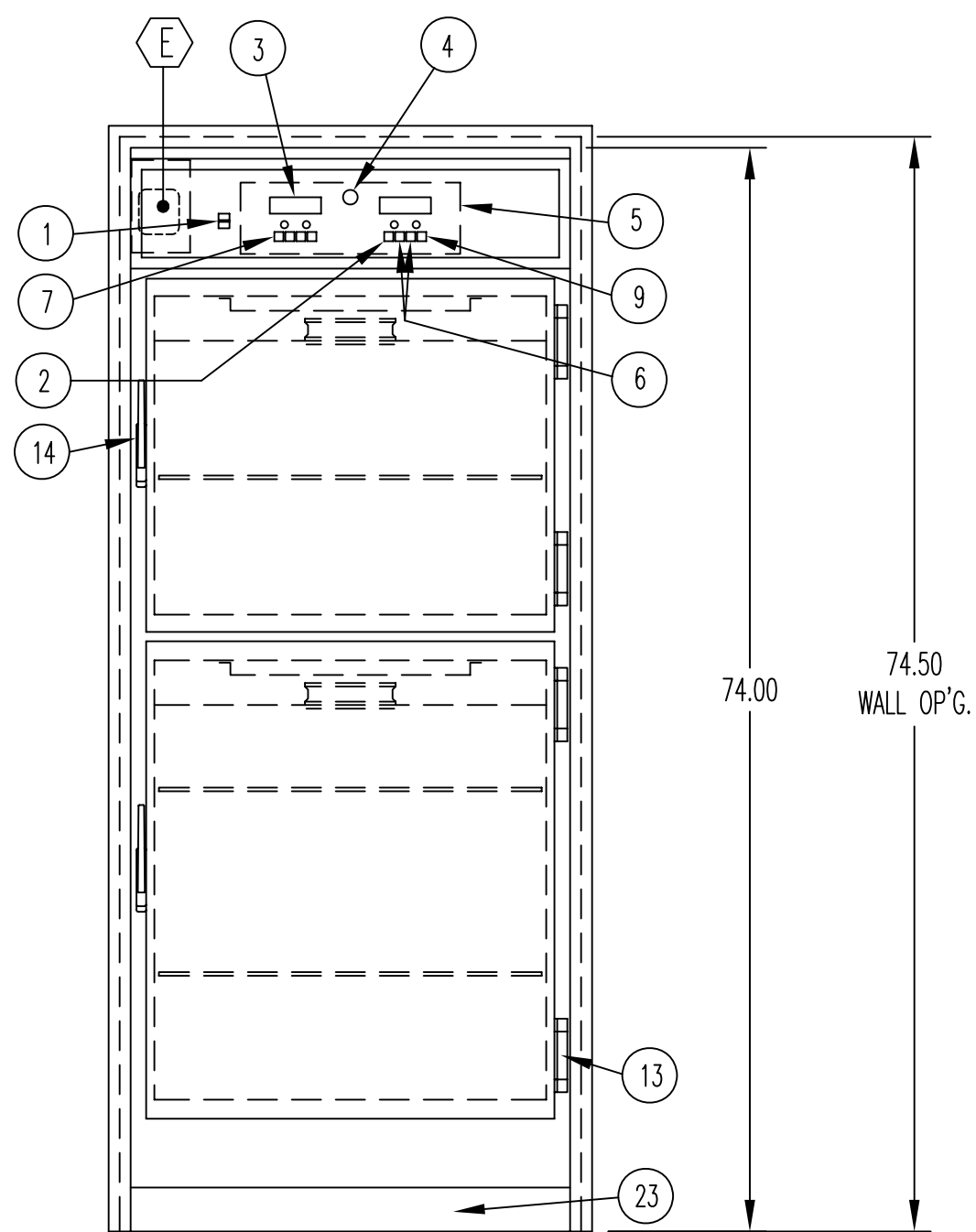
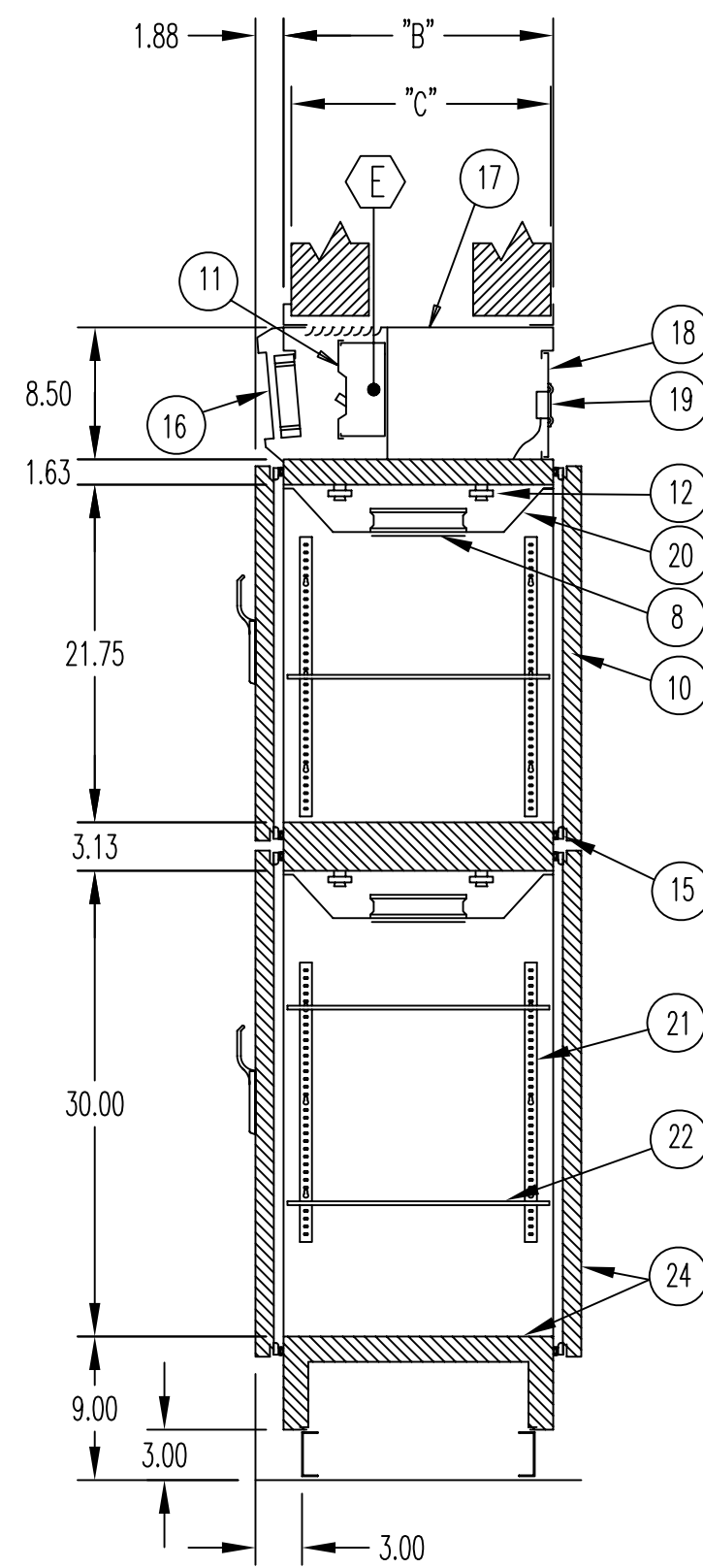


O.R. SIDE PLAN



ELEVATION



SECTION

OPTIONAL DEPTH			
MODEL	"A" DIMENSION	"B" DIMENSION	"C" DIMENSION
DSW2AE-2-18-PT	21.25	17.50	17.125
DSW2AE-2-24-PT	27.25	23.50	23.125


FLASK CAPACITY (2000 cc)		
MODEL	TOP COMPARTMENT	BTM. COMPARTMENT
DSW2AE-2-18-PT	12	45
DSW2AE-2-24-PT	20	60

REF	DESCRIPTION
1	LIGHTED POWER SWITCH
2	TEMPERATURE CONVERSION SWITCH (FAREN. TO CELSIUS)
3	DIGITAL TEMPERATURE DISPLAY
4	OVER TEMPERATURE AUDIBLE ALARM
5	PRINTED CIRCUIT BOARD
6	TEMPERATURE ADJUSTING CONTROLS - 80° F TO 180° F RANGE
7	RED OVER TEMPERATURE LIGHT SET AT 180° F AT FACTORY
8	AIR CIRCULATING FAN
9	TEMPERATURE SETTING SWITCH
10	FIBERGLASS INSULATION
11	CIRCUIT BREAKER DISCONNECT
12	FOUR (4) ELECTRICAL HEATERS (375 WATTS EACH)
13	EDGEMOUNT HINGE
14	EDGEMOUNT LATCH
15	HEAT RESISTANT DOOR GASKET
16	CONTROL PANEL - MEMBRANE SWITCHES
17	TOP PANEL, LOUVERED W/ 2" HOLE FOR ACCESS TO ELECTRICAL BOX
18	REMOVABLE BLACK ANODIZED ALUMINUM PANEL
19	TWO (2) DIGITAL TEMPERATURE DISPLAY - TOP & BTM COMPT.
20	S/S PERFORATED HEATER GUARD
21	PILASTER STRIPS FOR SHELF ADJUSTMENT
22	WIRE SHELVES
23	S/S TOE KICK - RECESSED
24	18 GA. S/S INTERIOR & EXTERIOR - TYPE 304 - #4 FINISH

REQUIRED SERVICES	
E	120V.-60HZ-1PH. - 12.5 AMPS. (HARD WIRE FROM ABOVE)

MAXIMUM HEAT LOSS 1,500 BTU/HR

RIGHT	LEFT	DOOR HINGING GUIDE
		OPERATING ROOM SIDE (RIGHT SIDE SHOWN)
		CORRIDOR SIDE (RIGHT SIDE SHOWN)

REVISIONS			CONTINENTAL METAL PRODUCTS  CO., INC.		
NO.	DATE	BY	35 OLYMPIA AVE. - WOBURN, MA. 01888		
			PASS-THRU DIGITAL WARMING CABINETS		
			MODEL NO'S. DSW2AE-2-18-PT & DSW2AE-2-24-PT		
			SCALE: 1" = 12"	DATE: 02/26/2010	DRAWN: MAL
			SHEET: 1 OF 1	SYS DWG NO. ACC-337-1	REV