



CONTINENTAL METAL PRODUCTS

Stainless Steel Healthcare Equipment
Meeting the Demands of the OR

Stainless Steel Mobile Storage Carts

healthcare division

Proudly Made in the
USA for over 65 years



To meet the demand of today's operating rooms, CMP has now developed a complete line of Stainless Steel Mobile Storage Carts. These portable storage carts can be configured for any application and are available with two or three storage systems. Custom sizes are available. The Mobile Storage Carts utilize CMP's Modular Storage Solutions allowing for unlimited storage configurations. Users can select from different sizes of baskets and trays which can be installed horizontally or angled for viewing. Shelves and catheter slides are also available. Accessory locations and orientation can be easily changed to meet the current procedure's requirements.

Stainless Steel Mobile Storage Carts



Features:

- Stainless Steel Construction
- 5" Diameter Locking Casters
- Two Point Knob Closures
- Heavy Duty Door Hardware
- Optional S/S Shelves
- Optional Door Locks
- Fully Mobile Storage Solution
- Variety of Storage Accessories
- Easy to Upgrade or Expand
- Glass Doors with 1/4" Thick Safety Glass
- Custom Storage Configurations
- Optional Double Pan S/S Doors
- Heavy Duty Push Bar
- Trays
- Baskets
- Catheter Slides
- Adjustable Shelves
- Custom Sizes Available

Model	Exterior Dimensions	Storage Systems
SC2-3872-26 (Flat Top)	37.81" Wide x 78.25" High x 26" Deep	2
SC2-5672-26 (Flat Top)	56.22" Wide x 78.25" High x 26" Deep	3
SC2-3860-26 (Slope Top)	37.81" Wide x 75.25" High x 26" Deep	2
SC2-5660-26 (Slope Top)	56.22" Wide x 75.25" High x 26" Deep	3

Continental Metal Products Co., Inc. – 35 Olympia Avenue, Woburn, MA 01801
Phone (781) 935-4400 FAX (781) 935-4404 www.continentalmetal.com sales@continentalmetal.com



CONTINENTAL METAL PRODUCTS
 Stainless Steel Healthcare Equipment
 Meeting the Demands of the OR








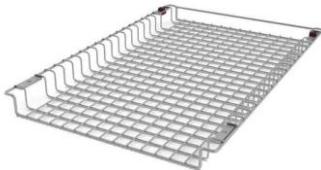
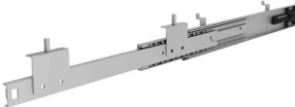





Stainless Steel Mobile Storage Carts

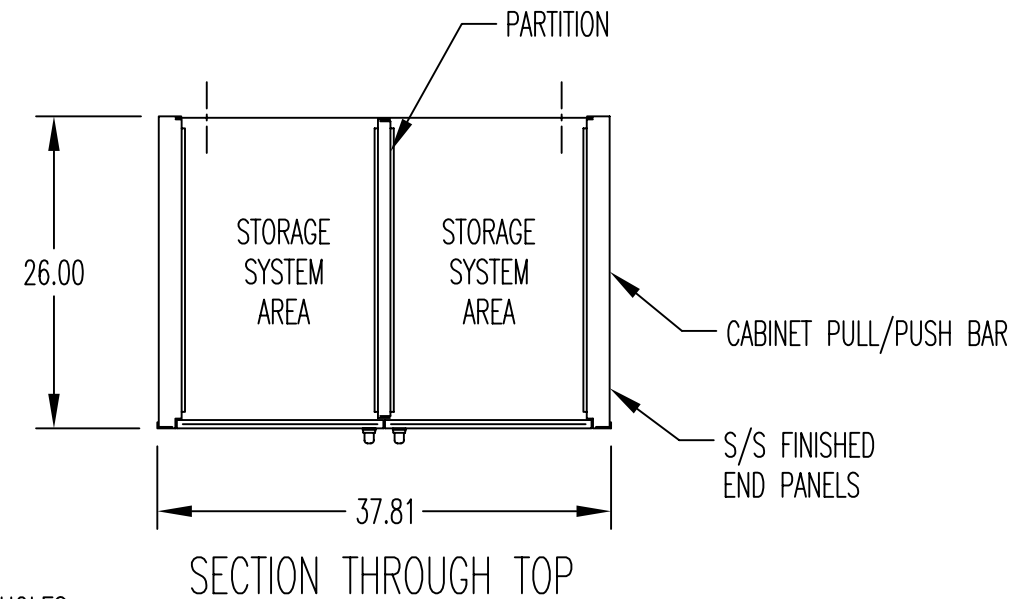
healthcare division

Proudly Made in the
USA for over 65 years



Optional Storage Solutions:

<ul style="list-style-type: none"> • 10cm Basket: B-4060-10 • Short Divider: D-40-10 • Long Divider: D-60-10 	<ul style="list-style-type: none"> • 20cm Basket: B-4060-20 • Short Divider: D-40-20 • Long Divider: D-60-20 
<ul style="list-style-type: none"> • 5cm Tray: T-4060-05 • Short Divider: D-40-05 • Long Divider: D-60-05 	<ul style="list-style-type: none"> • 10cm Tray: T-4060-10 • Short Divider: D-40-10 • Long Divider: D-60-10 
<ul style="list-style-type: none"> • Side Panel, Long 	<ul style="list-style-type: none"> • Side Panel, Short 
<ul style="list-style-type: none"> • 60x40cm Shelf 	<ul style="list-style-type: none"> • Instrument Container Shelf 
<ul style="list-style-type: none"> • Ball Bearing Slides (Pair) BBS-17 / BBS-25 	<ul style="list-style-type: none"> • Retractable Catheter Holder CATH-6 (6 Hooks) CATH-9 (9 Hooks) 
<ul style="list-style-type: none"> • Divider Holder 	<ul style="list-style-type: none"> • Plastic Label Holder 
<ul style="list-style-type: none"> • Divider Lock 	<ul style="list-style-type: none"> • Basket Stop 



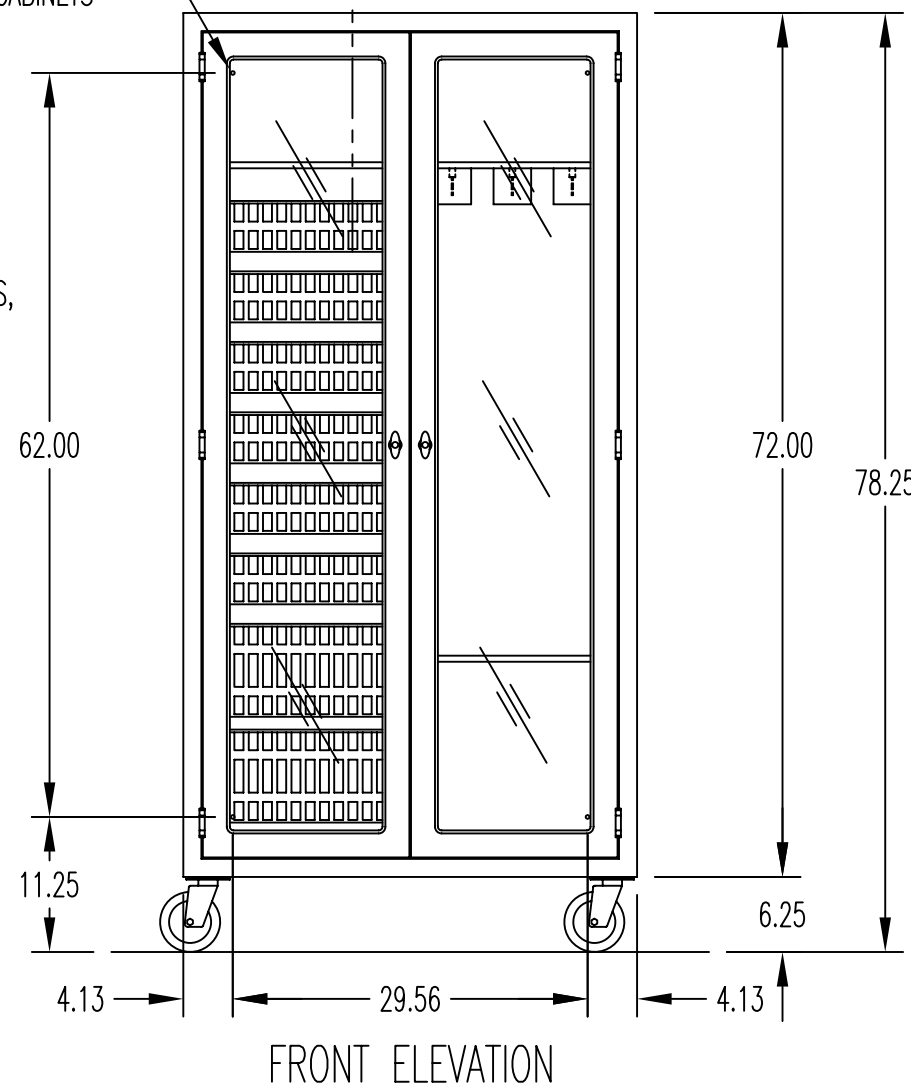
- MANY STORAGE ACCESSORIES AND COMBINATIONS ARE AVAILABLE FOR CMP'S STORAGE SYSTEM.
- BASKETS AND TRAYS CAN BE ARRANGED HORIZONTALLY OR ANGLED FOR VIEWING
 - ACCESSORY LOCATIONS & ORIENTATION CAN EASILY BE CHANGED
 - SEVERAL SIZES OF BASKETS AND TRAYS ARE AVAILABLE
 - SHELVES AND CATHETER SLIDES ARE AVAILABLE
 - SEE CUT SHEET FOR ALL AVAILABLE ACCESSORIES
 - STAINLESS STEEL ADJUSTABLE SHELVES ARE AVAILABLE IN LIEU OF STORAGE SYSTEM

- NOTES:
1. CABINET CONSTRUCTED OF #18 GA. TYPE 304 STAINLESS STEEL W/ FRONTS WELDED AND POLISHED TO #4 FINISH.
 2. WHEN MOVING CABINET, MAKE SURE DOORS ARE CLOSED AND LATCHED SECURELY

5/16" DIA. MTG. HOLES FOR OPTIONAL WALL INSTALLATION
G.C. PROVIDE BLOCKING AS REQ'D. FOR SECURING CABINETS



SHOWN WITH SHELVES, CATHETER SLIDES & BASKETS



STAINLESS STEEL FLAT TOP

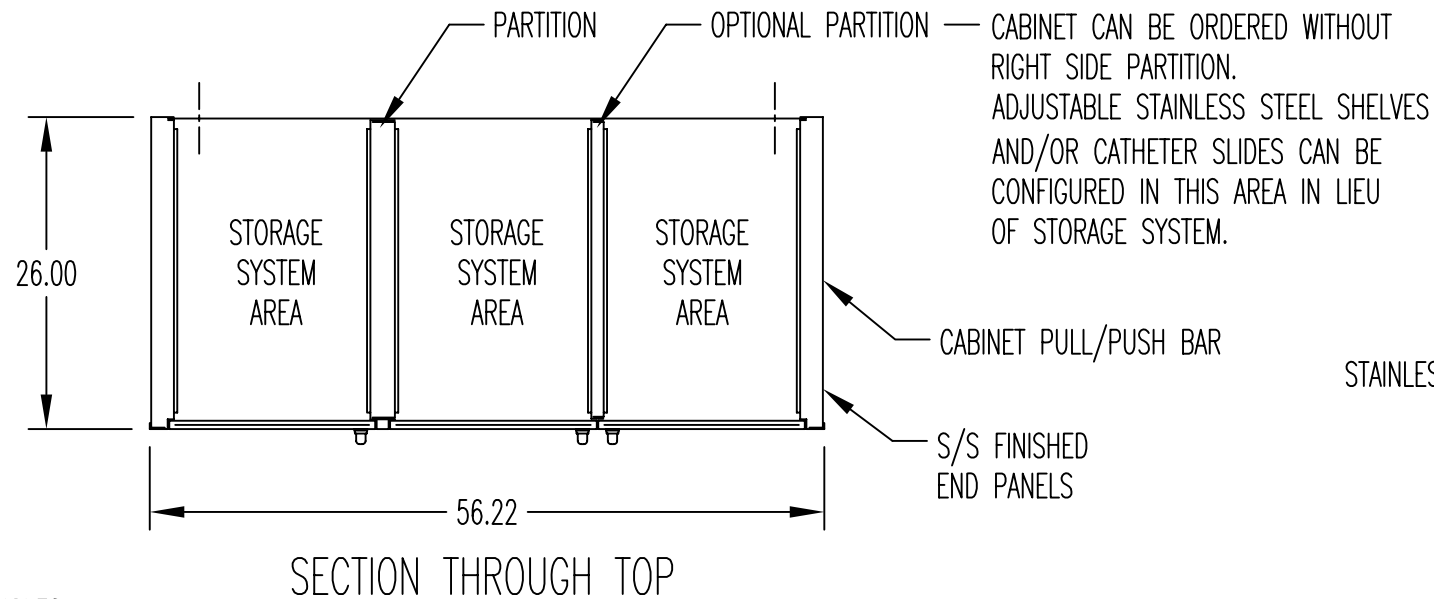
HINGED DOORS W/ 1/4" THK. SAFETY PLATE GLASS, S/S FRAME, CHR. PLT'D. HINGES AND CHR. PLT'D. TWO POINT KNOB CLOSURES

WALL PANEL TO ACCOMMODATE CMP'S STORAGE SYSTEM ACCESSORIES (NOT SHOWN) (SEE CUT SHEET FOR AVAILABLE ACCESSORIES)

FOUR (4) LOCKING CASTERS 5" WHEEL DIAMETER

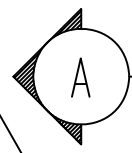
SECTION A

REVISIONS			 CONTINENTAL METAL PRODUCTS CO., INC. 35 OLYMPIA AVE. - WOBURN, MA. 01888		
NO.	DATE	BY			
			MODEL SC2-3872-26 STAINLESS STEEL OPERATING ROOM CABINET W/ CASTERS & TWO STORAGE SYSTEM AREAS		
SCALE: 3/4"=12"		DATE: 08/08/2013	DRAWN: MAL		
SHEET: 1 OF 2		SYS AC	DWG NO. ACB-1792-1	REV	

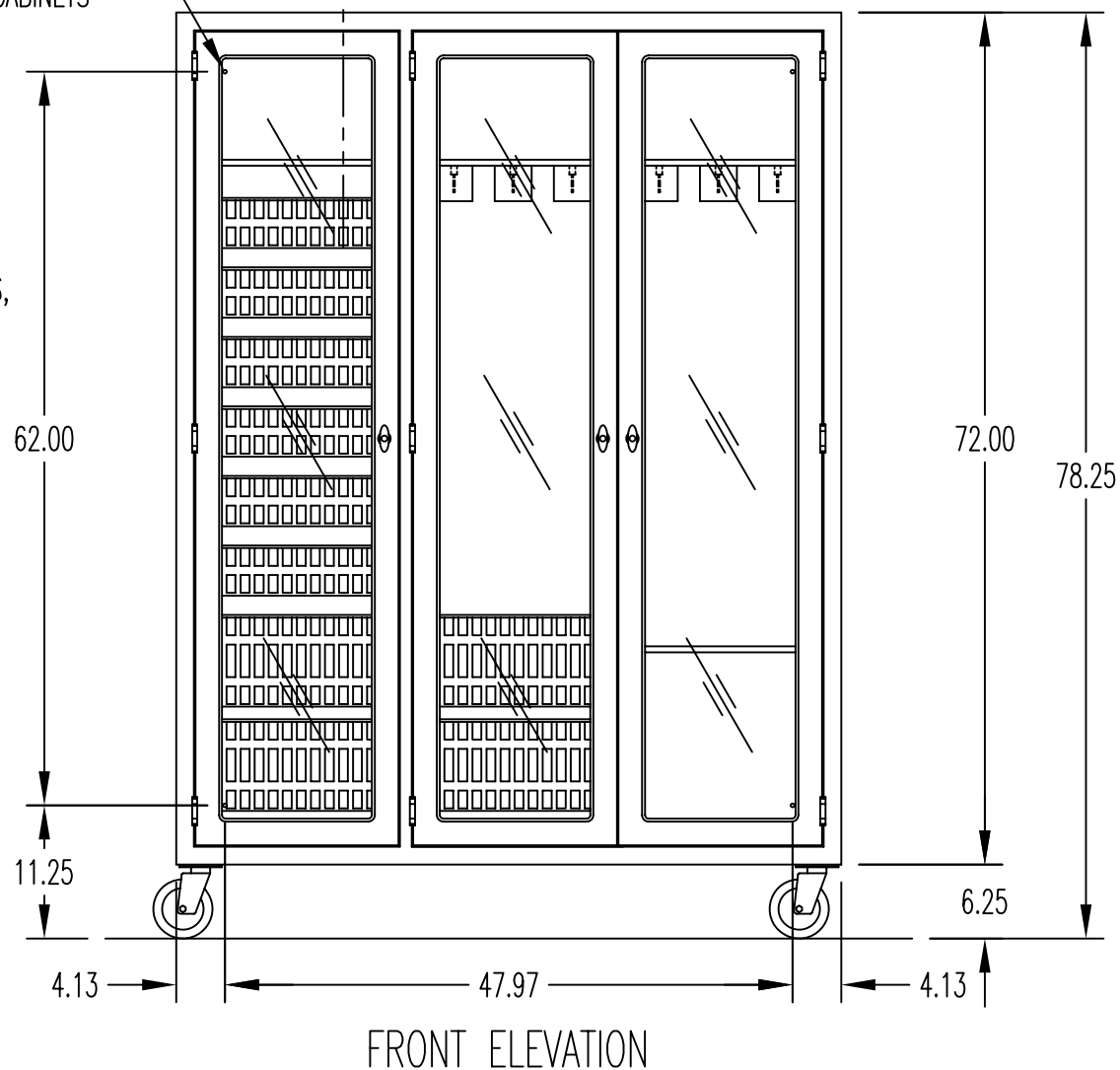


NOTES:
 1. CABINET CONSTRUCTED OF #18 GA. TYPE 304 STAINLESS STEEL W/ FRONTS WELDED AND POLISHED TO #4 FINISH.
 2. WHEN MOVING CABINET, MAKE SURE DOORS ARE CLOSED AND LATCHED SECURELY

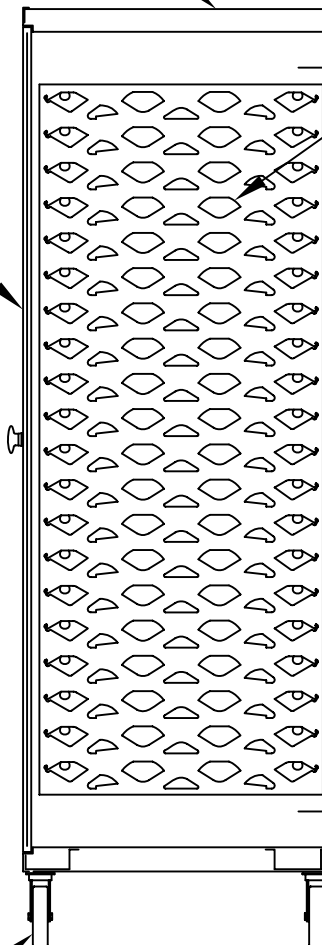
5/16" DIA. MTG. HOLES FOR OPTIONAL WALL INSTALLATION G.C. PROVIDE BLOCKING AS REQ'D. FOR SECURING CABINETS



SHOWN WITH SHELVES, CATHETER SLIDES & BASKETS



STAINLESS STEEL FLAT TOP

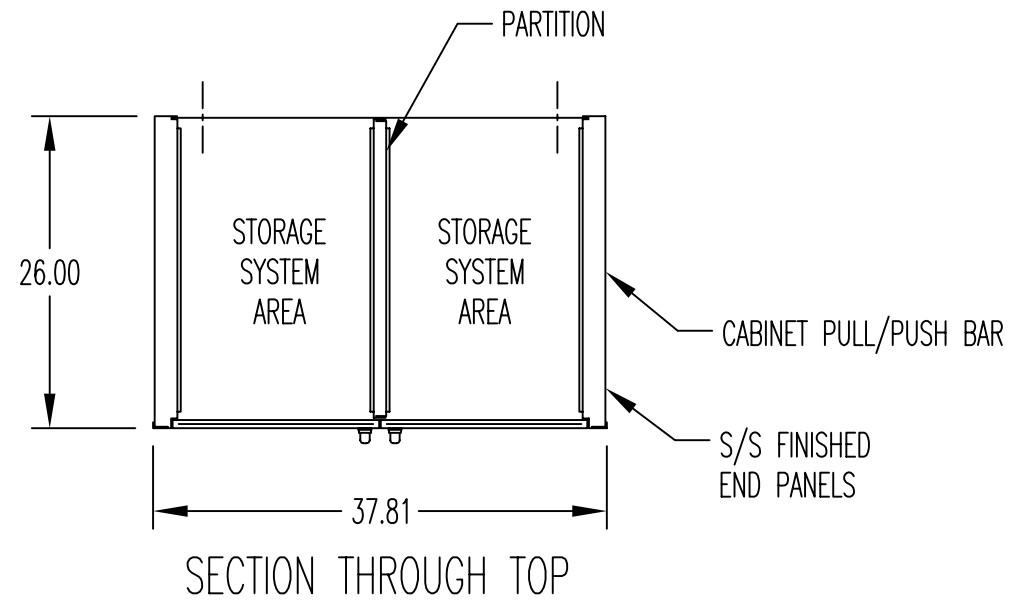


WALL PANEL TO ACCOMMODATE CMP'S STORAGE SYSTEM ACCESSORIES (NOT SHOWN) (SEE CUT SHEET FOR AVAILABLE ACCESSORIES)

MANY STORAGE ACCESSORIES AND COMBINATIONS ARE AVAILABLE FOR CMP'S STORAGE SYSTEM.

- BASKETS AND TRAYS CAN BE ARRANGED HORIZONTALLY OR ANGLED FOR VIEWING
- ACCESSORY LOCATIONS & ORIENTATION CAN EASILY BE CHANGED
- SEVERAL SIZES OF BASKETS AND TRAYS ARE AVAILABLE
- SHELVES AND CATHETER SLIDES ARE AVAILABLE
- SEE CUT SHEET FOR ALL AVAILABLE ACCESSORIES
- STAINLESS STEEL ADJUSTABLE SHELVES ARE AVAILABLE IN LIEU OF STORAGE SYSTEM

REVISIONS			 CONTINENTAL METAL PRODUCTS CO., INC. 35 OLYMPIA AVE. - WOBURN, MA. 01888			
NO.	DATE	BY				
			MODEL SC2-5672-26 STAINLESS STEEL OPERATING ROOM CABINET W/ CASTERS & THREE STORAGE SYSTEM AREAS			
			SCALE: 3/4"=12"	DATE: 08/08/2013	DRAWN: MAL	
			SHEET: 2 OF 2	SYS AC	DWG NO. ACB-1792-2	REV

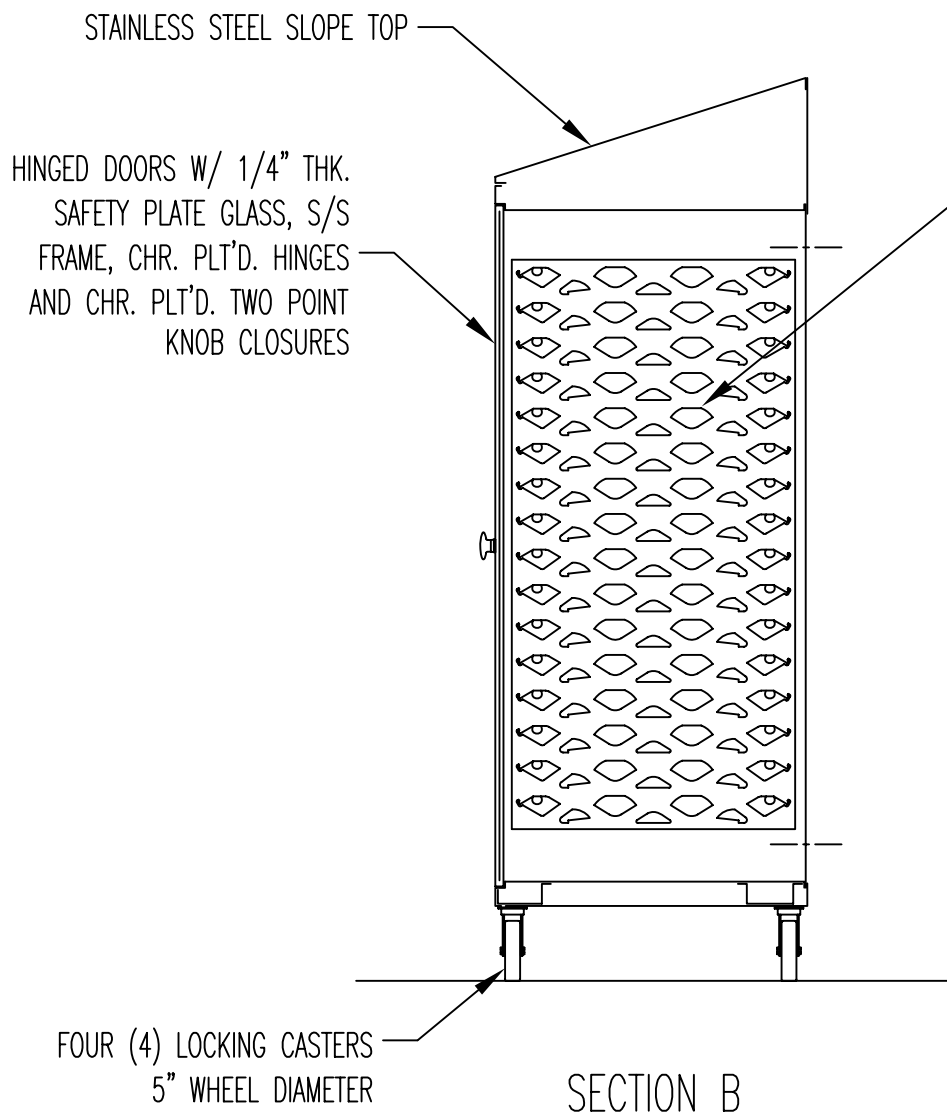
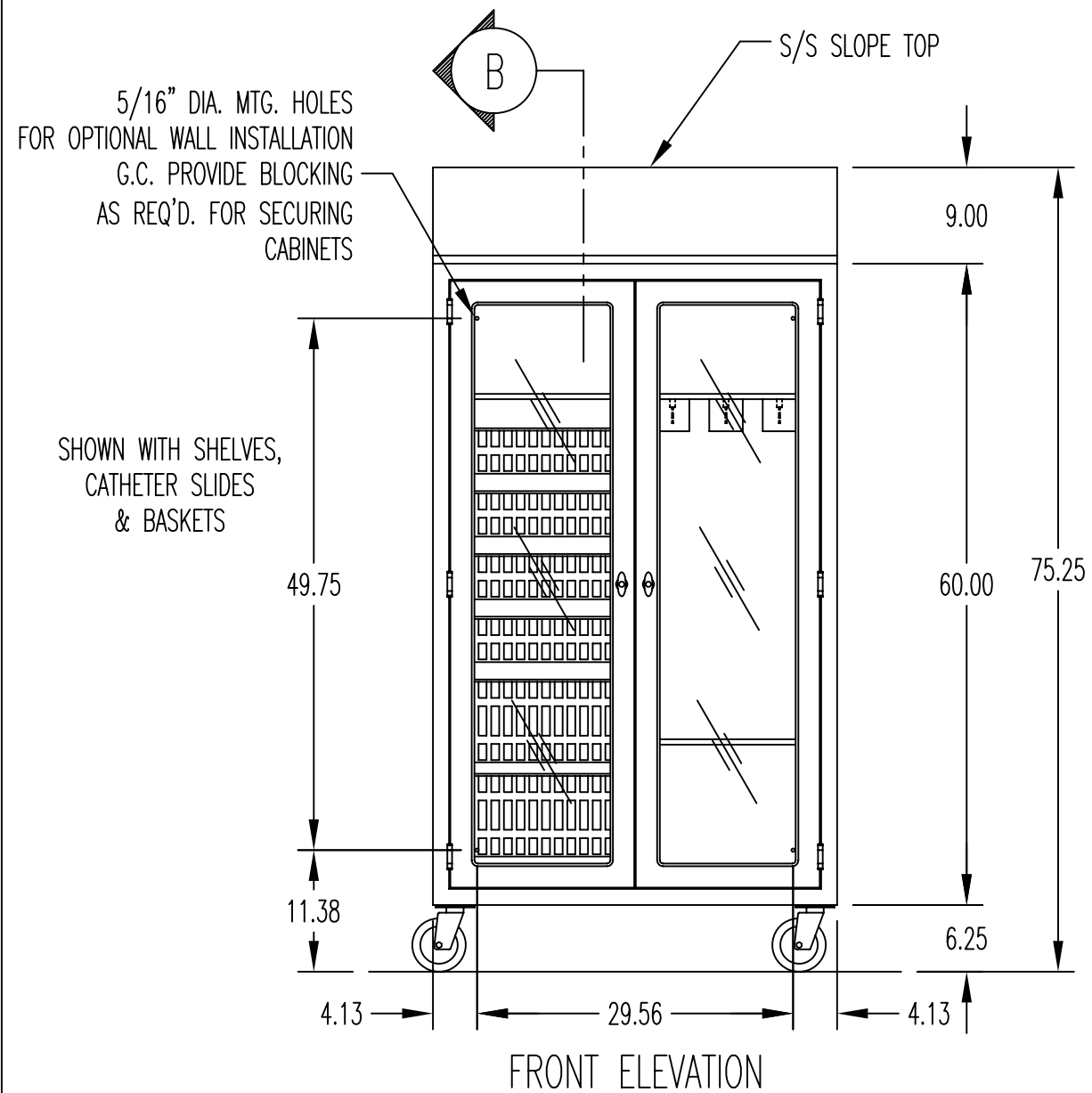


MANY STORAGE ACCESSORIES AND COMBINATIONS ARE AVAILABLE FOR CMP'S STORAGE SYSTEM.

- BASKETS AND TRAYS CAN BE ARRANGED HORIZONTALLY OR ANGLED FOR VIEWING
- ACCESSORY LOCATIONS & ORIENTATION CAN EASILY BE CHANGED
- SEVERAL SIZES OF BASKETS AND TRAYS ARE AVAILABLE
- SHELVES AND CATHETER SLIDES ARE AVAILABLE
- SEE CUT SHEET FOR ALL AVAILABLE ACCESSORIES
- STAINLESS STEEL ADJUSTABLE SHELVES ARE AVAILABLE IN LIEU OF STORAGE SYSTEM

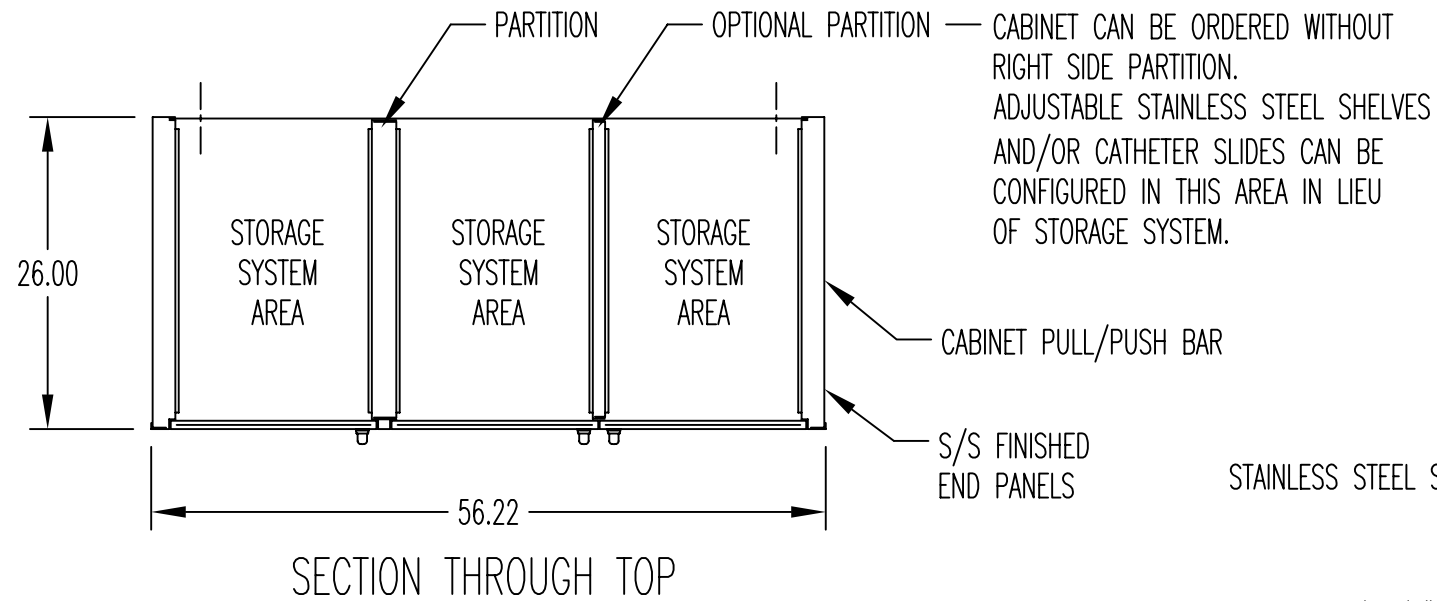
NOTES:

1. CABINET CONSTRUCTED OF #18 GA. TYPE 304 STAINLESS STEEL W/ FRONTS WELDED AND POLISHED TO #4 FINISH.
2. WHEN MOVING CABINET, MAKE SURE DOORS ARE CLOSED AND LATCHED SECURELY

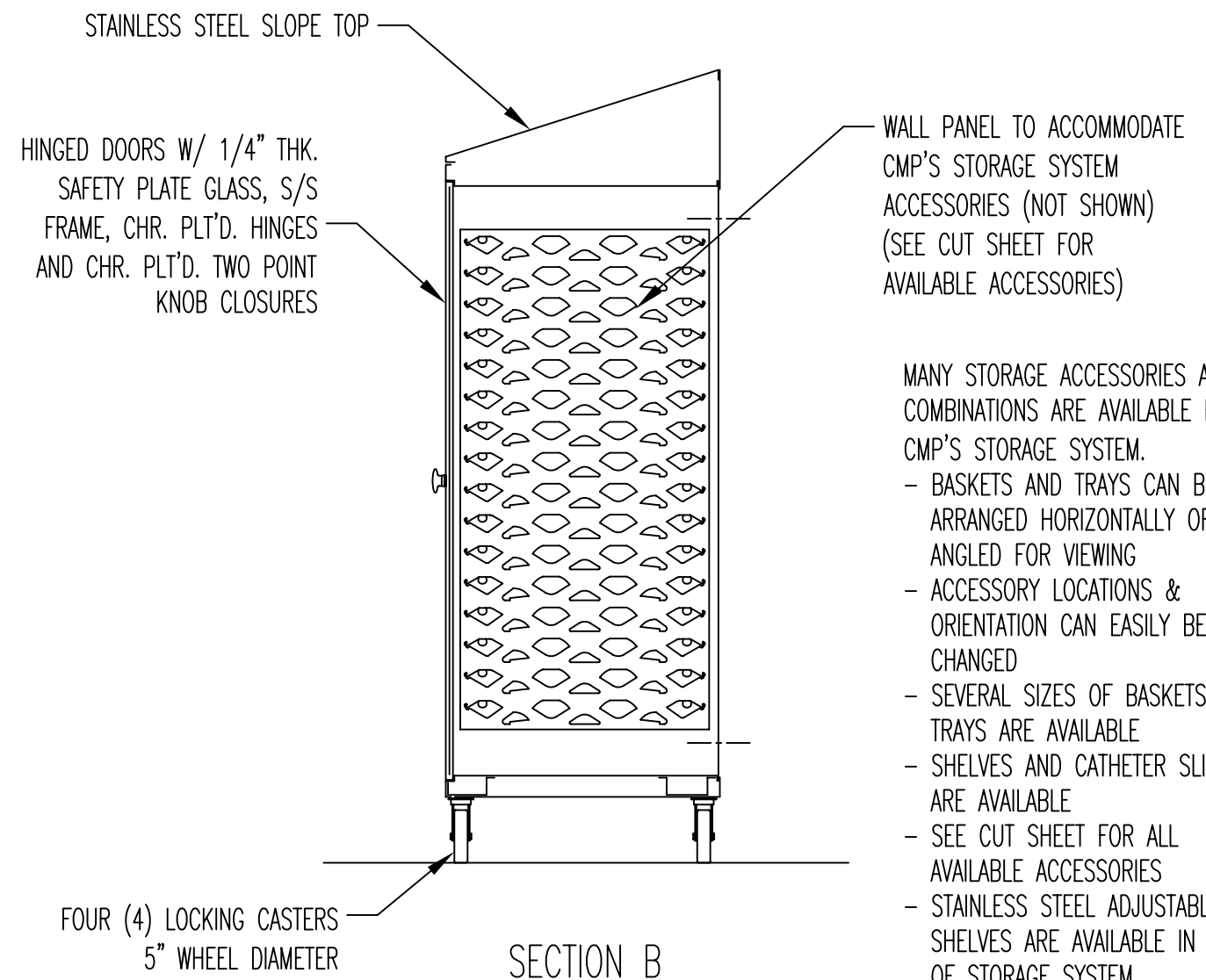


WALL PANEL TO ACCOMMODATE CMP'S STORAGE SYSTEM ACCESSORIES (NOT SHOWN) (SEE CUT SHEET FOR AVAILABLE ACCESSORIES)

REVISIONS			 CONTINENTAL METAL PRODUCTS CO., INC. 35 OLYMPIA AVE. - WOBURN, MA. 01888		
NO.	DATE	BY			
			MODEL SC2-3860-26 STAINLESS STEEL OPERATING ROOM CABINET W/ CASTERS & TWO STORAGE SYSTEM AREAS		
			SCALE: 3/4"=12"	DATE: 08/08/2013	DRAWN: MAL
			SHEET: 1 OF 2	SYS AC	DWG NO. ACB-1794-1
					REV

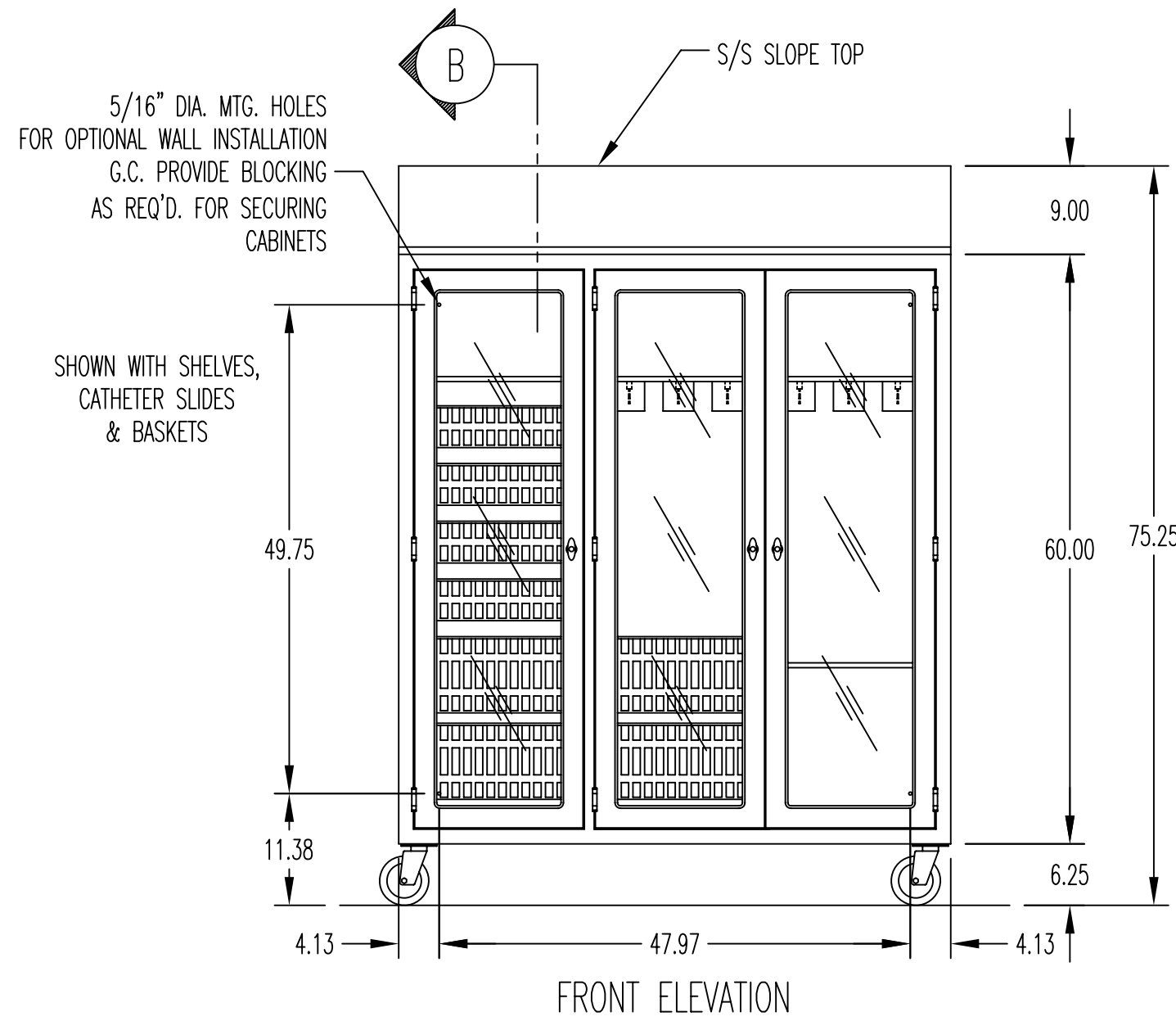


NOTES:
 1. CABINET CONSTRUCTED OF #18 GA. TYPE 304 STAINLESS STEEL W/ FRONTS WELDED AND POLISHED TO #4 FINISH.
 2. WHEN MOVING CABINET, MAKE SURE DOORS ARE CLOSED AND LATCHED SECURELY



MANY STORAGE ACCESSORIES AND COMBINATIONS ARE AVAILABLE FOR CMP'S STORAGE SYSTEM.

- BASKETS AND TRAYS CAN BE ARRANGED HORIZONTALLY OR ANGLED FOR VIEWING
- ACCESSORY LOCATIONS & ORIENTATION CAN EASILY BE CHANGED
- SEVERAL SIZES OF BASKETS AND TRAYS ARE AVAILABLE
- SHELVES AND CATHETER SLIDES ARE AVAILABLE
- SEE CUT SHEET FOR ALL AVAILABLE ACCESSORIES
- STAINLESS STEEL ADJUSTABLE SHELVES ARE AVAILABLE IN LIEU OF STORAGE SYSTEM



REVISIONS			CONTINENTAL METAL PRODUCTS CO., INC.		
NO.	DATE	BY	35 OLYMPIA AVE. - WOBURN, MA. 01888		
			MODEL SC2-5660-26 STAINLESS STEEL OPERATING ROOM CABINET W/ CASTERS & THREE STORAGE SYSTEM AREAS		
			SCALE: 3/4"=12"	DATE: 08/08/2013	DRAWN: MAL
			SHEET: 2 OF 2	SYS AC	DWG NO. ACB-1794-2
					REV