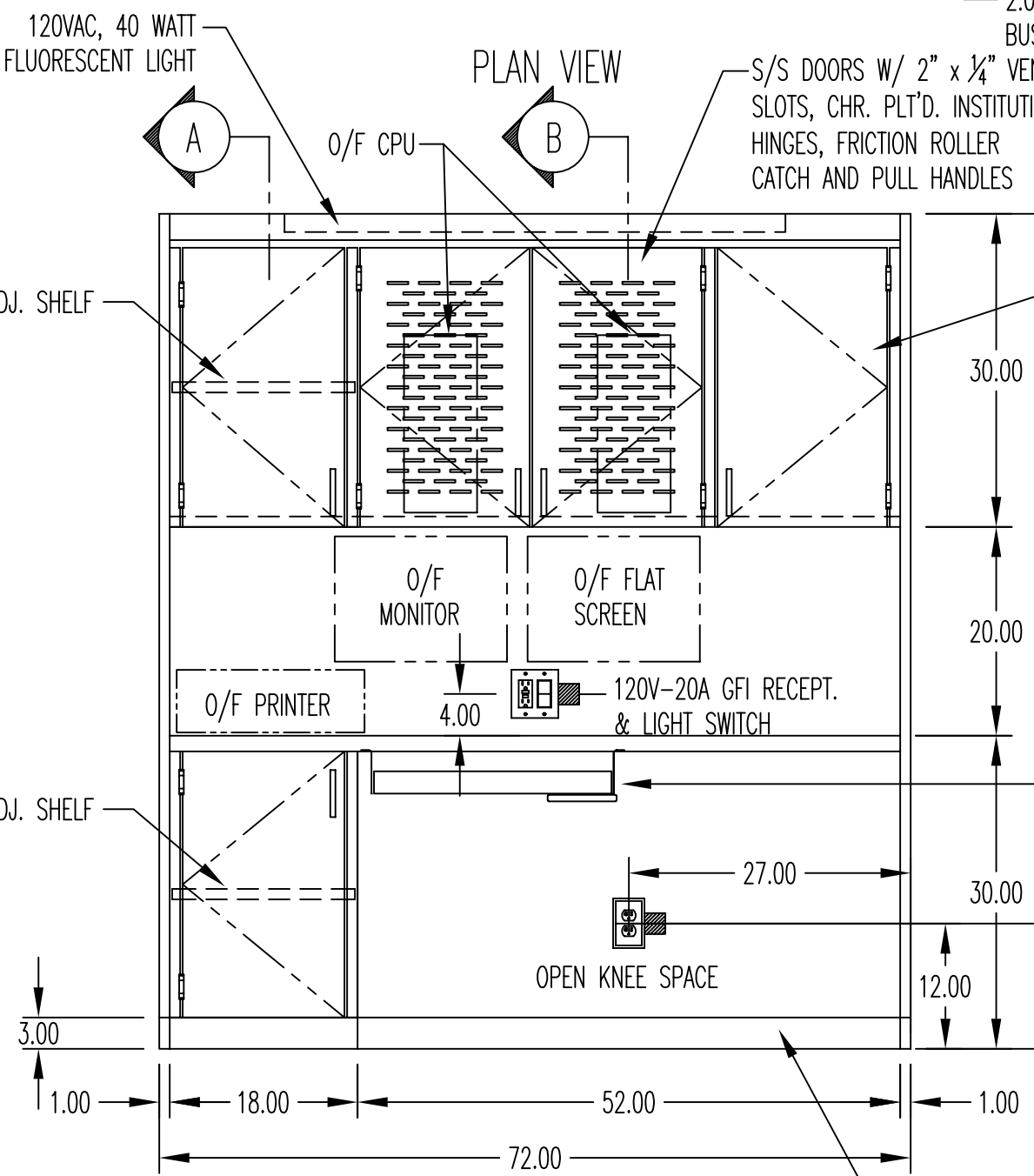
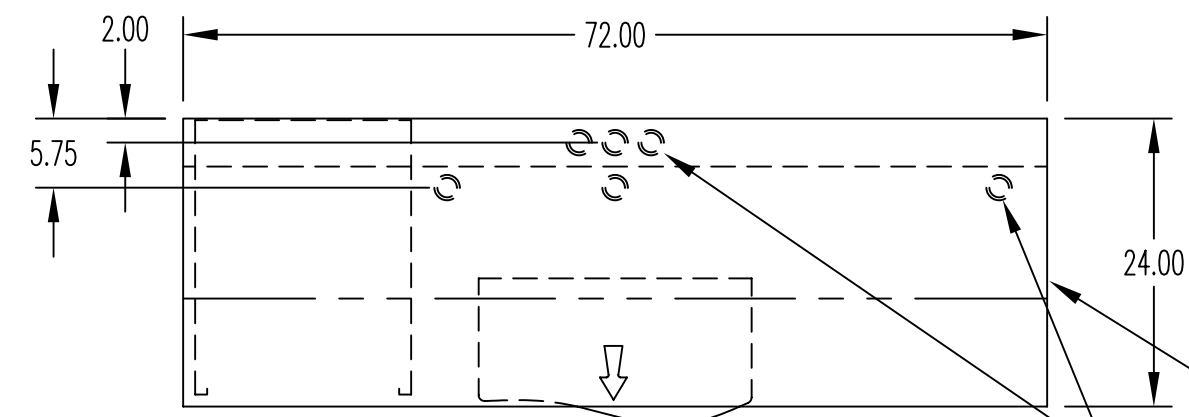


- NOTES:
1. ALL STAINLESS STEEL SHALL BE TYPE 304 W/ ALL EXPOSED SURFACES POLISHED TO #4 FINISH.
 2. VERIFY ALL DIMENSIONS BEFORE FABRICATING.
 3. WORK STATION SHALL BE SHIPPED COMPLETELY ASSEMBLED. VERIFY LOCATION CAN ACCOMMODATE (1) PIECE CONSTRUCTION.
 4. WALL CABINETS CONSTRUCTED OF #18 GA. TYPE 304 STAINLESS STEEL W/ FRONTS WELDED AND POLISHED TO #4 FINISH.
 5. WALL CABINET SHIPPED IN ONE PIECE, READY FOR FIELD ATTACHMENT AT INSTALLATION.
 6. ALL WALL FASTENERS FURNISHED BY INSTALLERS.
 7. O/F - DESIGNATES OWNER FURNISHED.

MANY OTHER OPTIONS AND SIZES AVAILABLE
PLEASE CONTACT THE FACTORY

REVISIONS			CONTINENTAL METAL PRODUCTS CO., INC.			
NO.	DATE	BY	35 OLYMPIA AVE. - WOBURN, MA 01880			
SURGERY WORK STATION						
SCALE: 3/4"=12"			DATE: 09/21/2009	DRAWN: WAL		
SHEET: 1 OF 1			SYS DWG NO. ACC-1679	REV		



- NOTES:
1. CABINET SHALL BE CONSTRUCTED ENTIRELY OF TYPE 304 S/S W/ EXPOSED SURFACES POLISHED TO #4 FINISH.
 2. ALL CABINET DIMENSIONS, ELECTRICAL RECEPTACLES & GROMMETED WIREWAY HOLES MUST BE VERIFIED TO ACCOMMODATE O/F COMPUTER EQUIPMENT.
 3. O/F - DESIGNATES OWNER FURNISHED.

S/S FINISH END PANELS BOTH SIDES
 2.00 DIA. HOLE W/ PLASTIC BUSHING FOR CABLE ENTRY

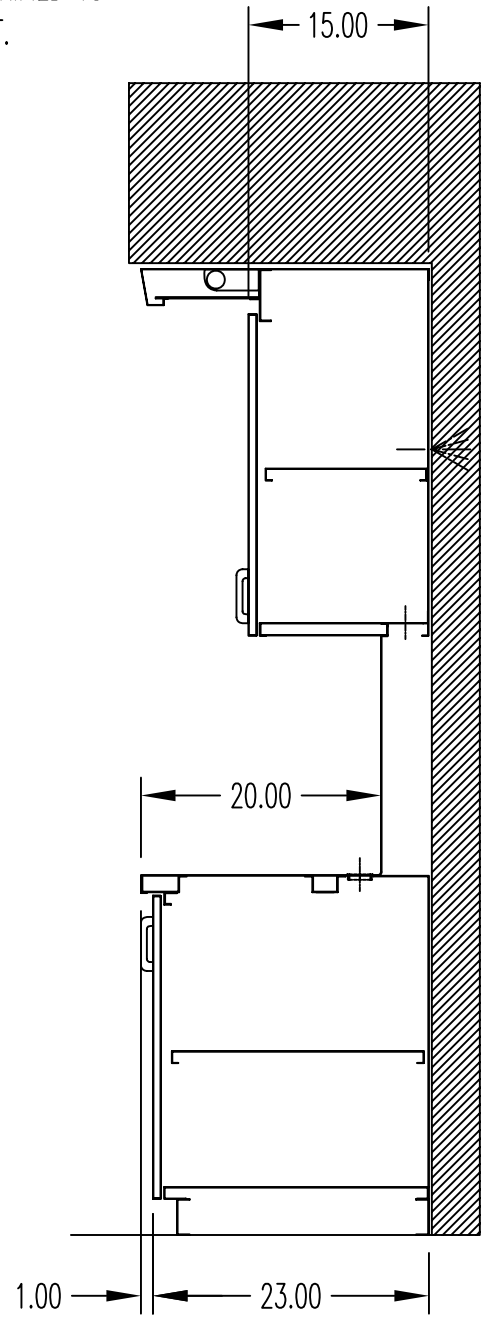
S/S DOORS W/ 2" x 1/4" VENT SLOTS, CHR. PLT'D. INSTITUTIONAL HINGES, FRICTION ROLLER CATCH AND PULL HANDLES
 S/S DOUBLE PAN DOOR W/ CHR. PLT'D. INSTITUTIONAL HINGES, FRICTION ROLLER CATCH AND PULL HANDLES

SLIDE-OUT KEYBOARD DRAWER W/ SLIDING MOUSE TRAY

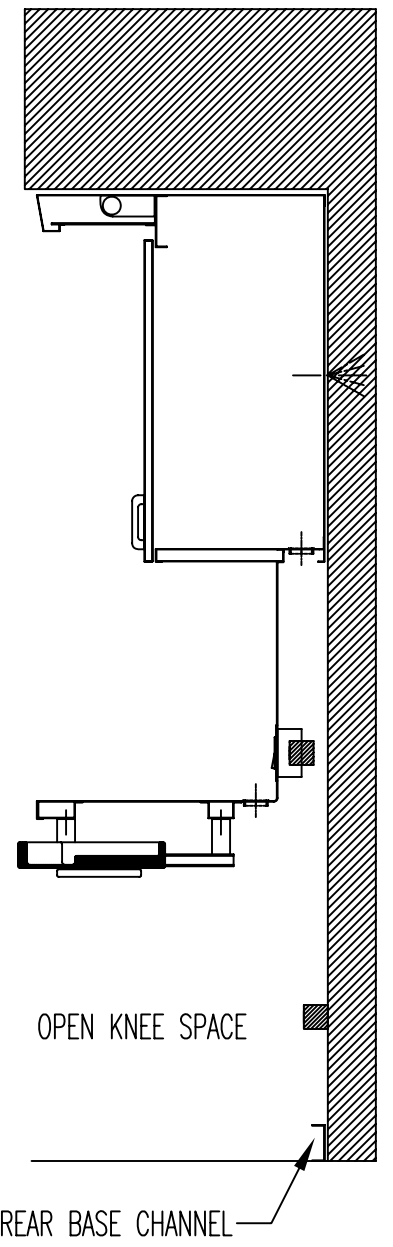
120V-20A HOSP. GRADE WALL RECEPTACLE

ELEVATION

MODEL NO.	BASE CAB. DESCRIPTION
DS1-7224-HSD	18" W. HINGED S/S DOOR
DS1-7224-D3	18" W. THREE TIER DRAWER



SECTION "A"



SECTION "B"

NOTE: STANDARD UNITS AVAILABLE IN WIDTHS OF 24" TO 72". CUSTOM SIZES AND ARRANGEMENTS TO SUIT SPECIFIC REQUIREMENTS AVAILABLE UPON REQUEST.

REVISIONS			CONTINENTAL METAL PRODUCTS CO., INC. 35 OLYMPIA AVE. - WOBURN, MA. 01888			
NO.	DATE	BY	NURSE DOCUMENTATION STATION			
			SCALE: 3/4" = 12"	DATE: 06/18/2008	DRAWN: PM	
			SHEET: 1 OF 1	SYS AC	DWG NO. ACB-1638-3	REV