
Stainless Steel Casework

Base Cabinets

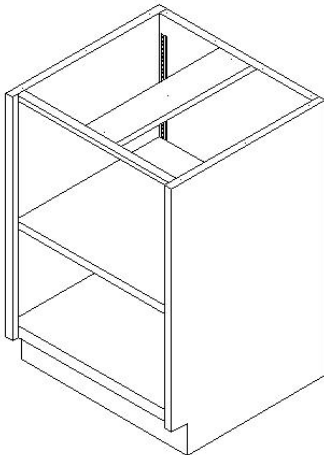
CMP manufactures a complete line of stainless steel base cabinets, consisting of open cabinets, cupboards with hinged doors & drawers, drawer cabinets and sink cabinets in lengths of 12" to 48". Custom sizes are available upon request, please contact us.

Features

- Type 304 Stainless Steel Construction
- Flush Front Doors and Drawers
- Double Pan Doors & Drawer Face with Welded Corners
- Door Mounted with Removable Institutional Leaf Hinges
- Drawers Mounted on heavy Duty Roller Bearing Slides
- Satin Chrome Finish on Hinges and Drawer Pulls to Match Stainless Steel
- Shelves Adjustable on 1/2" Centers
- 4" High Stainless Steel Base

Options

- Cylinder Locks w/ Satin Chrome Finish

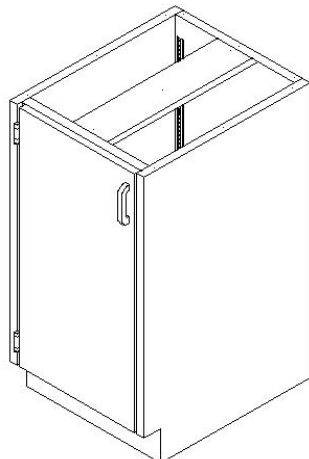


Open Shelf Cupboard

Model Number

Dimensions

B-12-OS	12"W. x 34-1/2"H. x 22-1/4"D.
B-18-OS	18"W. x 34-1/2"H. x 22-1/4"D.
B-24-OS	24"W. x 34-1/2"H. x 22-1/4"D.
B-30-OS	30"W. x 34-1/2"H. x 22-1/4"D.
B-36-OS	36"W. x 34-1/2"H. x 22-1/4"D.
B-42-OS	42"W. x 34-1/2"H. x 22-1/4"D.
B-48-OS	48"W. x 34-1/2"H. x 22-1/4"D.



Hinged Door Cupboard

Model Number

Dimensions

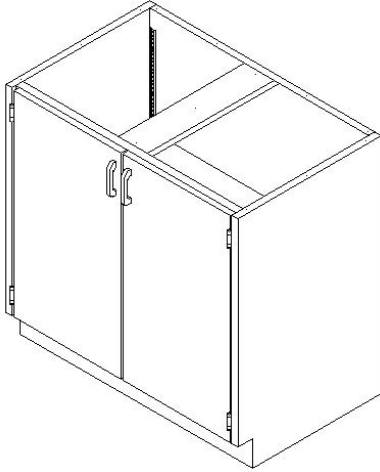
Doors

B-12	12"W. x 34-1/2"H. x 22-1/4"D.	1
B-18	18"W. x 34-1/2"H. x 22-1/4"D.	1
B-24	24"W. x 34-1/2"H. x 22-1/4"D.	1

cmp

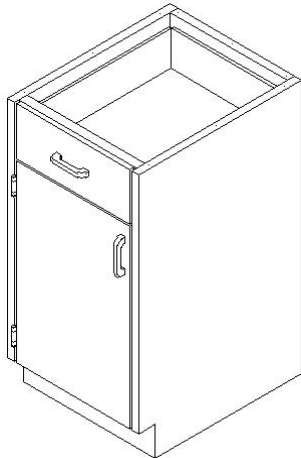
Stainless Steel Casework

Base Cabinets



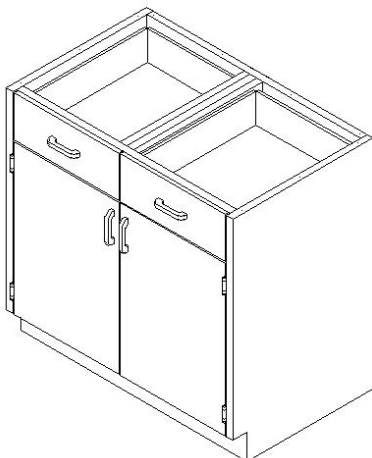
<u>Model Number</u>	<u>Dimensions</u>	<u>Doors</u>
B-30	30"W. x 34-1/2"H. x 22-1/4"D.	2
B-36	36"W. x 34-1/2"H. x 22-1/4"D.	2
B-42	42"W. x 34-1/2"H. x 22-1/4"D.	2
B-48	48"W. x 34-1/2"H. x 22-1/4"D.	2

Hinged Door Cupboard



<u>Model Number</u>	<u>Dimensions</u>	<u>Doors</u>	<u>Drawers</u>
BC-12	12"W. x 34-1/2"H. x 22-1/4"D.	1	1
BC-18	18"W. x 34-1/2"H. x 22-1/4"D.	1	1
BC-24	24"W. x 34-1/2"H. x 22-1/4"D.	1	1

Hinged Doors and Drawers Cabinet



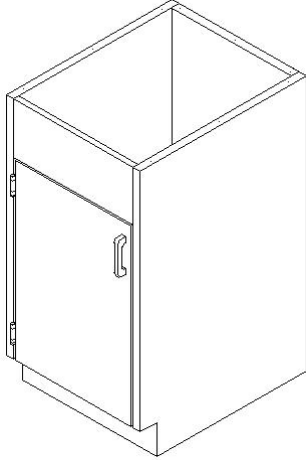
<u>Model Number</u>	<u>Dimensions</u>	<u>Doors</u>	<u>Drawers</u>
BC-30	30"W. x 34-1/2"H. x 22-1/4"D.	2	2
BC-36	36"W. x 34-1/2"H. x 22-1/4"D.	2	2
BC-42	42"W. x 34-1/2"H. x 22-1/4"D.	2	2
BC-48	48"W. x 34-1/2"H. x 22-1/4"D.	2	2

Hinged Doors and Drawers Cabinet

cmp

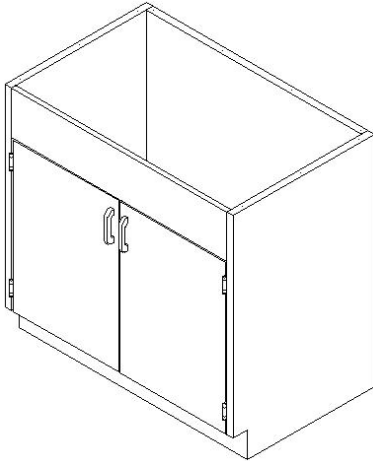
Stainless Steel Casework

Base Cabinets



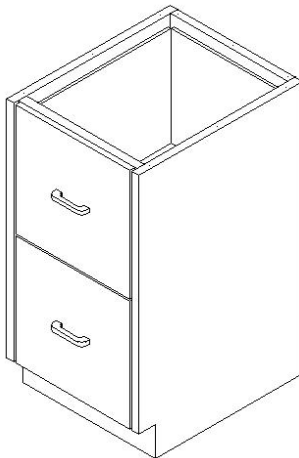
<u>Model Number</u>	<u>Dimensions</u>	<u>Doors</u>
S-12	12"W. x 34-1/2"H. x 22-1/4"D.	1
S-18	18"W. x 34-1/2"H. x 22-1/4"D.	1
S-24	24"W. x 34-1/2"H. x 22-1/4"D.	1

Hinged Door Sink Cabinet



<u>Model Number</u>	<u>Dimensions</u>	<u>Doors</u>
S-30	30"W. x 34-1/2"H. x 22-1/4"D.	2
S-36	36"W. x 34-1/2"H. x 22-1/4"D.	2
S-42	42"W. x 34-1/2"H. x 22-1/4"D.	2
S-48	48"W. x 34-1/2"H. x 22-1/4"D.	2

Hinged Door Sink Cabinet



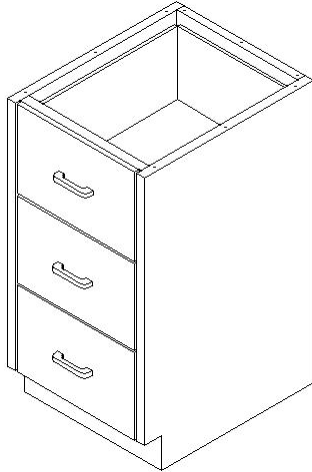
<u>Model Number</u>	<u>Dimensions</u>	<u>Drawers</u>
B-12-D2	12"W. x 34-1/2"H. x 22-1/4"D.	2
B-18-D2	18"W. x 34-1/2"H. x 22-1/4"D.	2
B-24-D2	24"W. x 34-1/2"H. x 22-1/4"D.	2

Single Tier 2 Drawer Cabinet

cmp

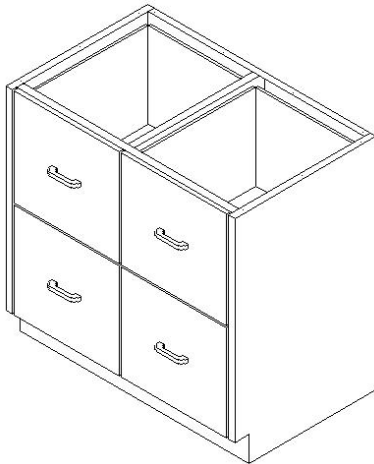
Stainless Steel Casework

Base Cabinets



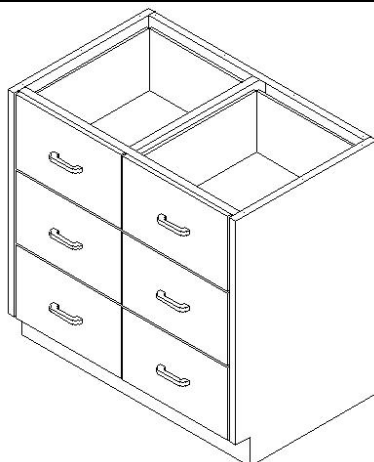
<u>Model Number</u>	<u>Dimensions</u>	<u>Drawers</u>
B-12-D3	12"W. x 34-1/2"H. x 22-1/4"D.	3
B-18-D3	18"W. x 34-1/2"H. x 22-1/4"D.	3
B-24-D3	24"W. x 34-1/2"H. x 22-1/4"D.	3

Single Tier 3 Drawer Cabinet



<u>Model Number</u>	<u>Dimensions</u>	<u>Drawers</u>
B-24-D2-2	24"W. x 34-1/2"H. x 22-1/4"D.	4
B-30-D2-2	30"W. x 34-1/2"H. x 22-1/4"D.	4
B-36-D2-2	36"W. x 34-1/2"H. x 22-1/4"D.	4
B-42-D2-2	42"W. x 34-1/2"H. x 22-1/4"D.	4
B-48-D2-2	48"W. x 34-1/2"H. x 22-1/4"D.	4

Double Tier 4 Drawer Cabinet



<u>Model Number</u>	<u>Dimensions</u>	<u>Drawers</u>
B-24-D3-3	24"W. x 34-1/2"H. x 22-1/4"D.	6
B-30-D3-3	30"W. x 34-1/2"H. x 22-1/4"D.	6
B-36-D3-3	36"W. x 34-1/2"H. x 22-1/4"D.	6
B-42-D3-3	42"W. x 34-1/2"H. x 22-1/4"D.	6
B-48-D3-3	48"W. x 34-1/2"H. x 22-1/4"D.	6

Double Tier 6 Drawer Cabinet

cmp

Stainless Steel Casework

Wall Cabinets

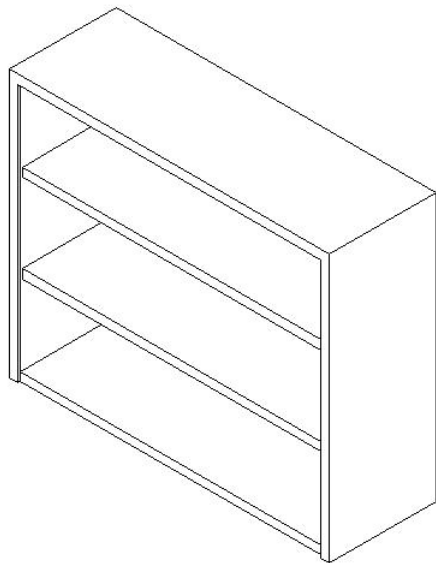
CMP manufactures a complete line of stainless steel wall cabinets, consisting of open or enclosed cabinets with either hinged stainless steel or hinged glass doors in lengths of 12" to 48". Custom sizes are available upon request, please contact us.

Features

- Type 304 Stainless Steel Construction
- Flush Front Doors
- Double Pan Doors with Welded Corners
- Stainless Steel or ¼" Thick laminated Safety Glass Hinged Doors
- Door Mounted with Removable Institutional Leaf Hinges
- Satin Chrome Finish on Hinges and Drawer Pulls to Match Stainless Steel
- Shelves Adjustable on ½" Centers

Options

- Cylinder Locks w/ Satin Chrome Finish
- Sloping Dust Tops
- Soffit Panels



Open Shelf Wall Cabinet

Model Number

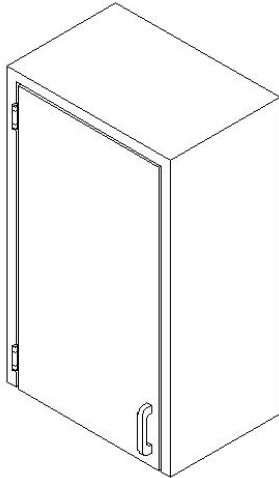
Dimensions

WOS-1224	12"W. x 24"H. x 12"D.
WOS-1824	18"W. x 24"H. x 12"D.
WOS-2424	24"W. x 24"H. x 12"D.
WOS-3024	30"W. x 24"H. x 12"D.
WOS-3624	36"W. x 24"H. x 12"D.
WOS-4224	42"W. x 24"H. x 12"D.
WOS-4824	48"W. x 24"H. x 12"D.
WOS-1230	12"W. x 30"H. x 12"D.
WOS-1830	18"W. x 30"H. x 12"D.
WOS-2430	24"W. x 30"H. x 12"D.
WOS-3030	30"W. x 30"H. x 12"D.
WOS-3630	36"W. x 30"H. x 12"D.
WOS-4230	42"W. x 30"H. x 12"D.
WOS-4830	48"W. x 30"H. x 12"D.
WOS-1236	12"W. x 36"H. x 12"D.
WOS-1836	18"W. x 36"H. x 12"D.
WOS-2436	24"W. x 36"H. x 12"D.
WOS-3036	30"W. x 36"H. x 12"D.
WOS-3636	36"W. x 36"H. x 12"D.
WOS-4236	42"W. x 36"H. x 12"D.
WOS-4836	48"W. x 36"H. x 12"D.
WOS-1242	12"W. x 42"H. x 12"D.
WOS-1842	18"W. x 42"H. x 12"D.
WOS-2442	24"W. x 42"H. x 12"D.
WOS-3042	30"W. x 42"H. x 12"D.
WOS-3642	36"W. x 42"H. x 12"D.
WOS-4242	42"W. x 42"H. x 12"D.
WOS-4842	48"W. x 42"H. x 12"D.

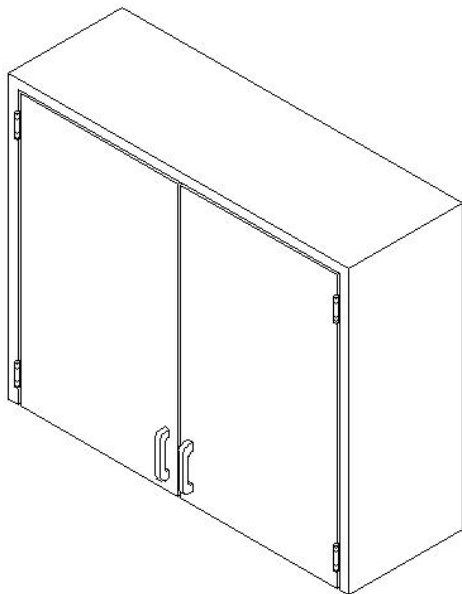
cmp

Stainless Steel Casework

Wall Cabinets



Hinged Solid Single Door Wall Cabinet



Hinged Solid Double Door Wall Cabinet

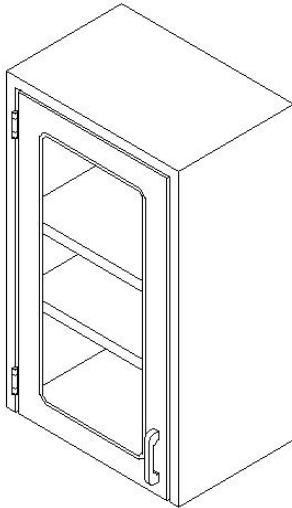
<u>Model Number</u>	<u>Dimensions</u>	<u>Doors</u>
WHS-1224	12"W. x 24"H. x 12"D.	1
WHS-1824	18"W. x 24"H. x 12"D.	1
WHS-2424	24"W. x 24"H. x 12"D.	1
WHS-3024	30"W. x 24"H. x 12"D.	2
WHS-3624	36"W. x 24"H. x 12"D.	2
WHS-4224	42"W. x 24"H. x 12"D.	2
WHS-4824	48"W. x 24"H. x 12"D.	2
WHS-1230	12"W. x 30"H. x 12"D.	1
WHS-1830	18"W. x 30"H. x 12"D.	1
WHS-2430	24"W. x 30"H. x 12"D.	1
WHS-3030	30"W. x 30"H. x 12"D.	2
WHS-3630	36"W. x 30"H. x 12"D.	2
WHS-4230	42"W. x 30"H. x 12"D.	2
WHS-4830	48"W. x 30"H. x 12"D.	2
WHS-1236	12"W. x 36"H. x 12"D.	1
WHS-1836	18"W. x 36"H. x 12"D.	1
WHS-2436	24"W. x 36"H. x 12"D.	1
WHS-3036	30"W. x 36"H. x 12"D.	2
WHS-3636	36"W. x 36"H. x 12"D.	2
WHS-4236	42"W. x 36"H. x 12"D.	2
WHS-4836	48"W. x 36"H. x 12"D.	2
WHS-1242	12"W. x 42"H. x 12"D.	1
WHS-1842	18"W. x 42"H. x 12"D.	1
WHS-2442	24"W. x 42"H. x 12"D.	1
WHS-3042	30"W. x 42"H. x 12"D.	2
WHS-3642	36"W. x 42"H. x 12"D.	2
WHS-4242	42"W. x 42"H. x 12"D.	2
WHS-4842	48"W. x 42"H. x 12"D.	2

cmp

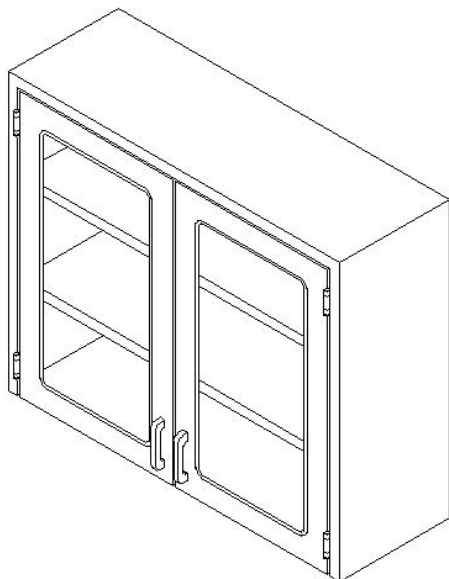
CONTINENTAL METAL PRODUCTS CO., INC./P.O. BOX 2295, 35 OLYMPIA AVENUE, WOBURN, MA 01888
PHONE (781) 935-4400 FAX (781) 935-4404 web: www.continentalmetal.com email address: cmpwbn@gis.net

Stainless Steel Casework

Wall Cabinets



Hinged Single Glass Door Wall Cabinet



Hinged Double Glass Door Wall Cabinet

<u>Model Number</u>	<u>Dimensions</u>	<u>Doors</u>
WHG-1224	12"W. x 24"H. x 12"D.	1
WHG-1824	18"W. x 24"H. x 12"D.	1
WHG-2424	24"W. x 24"H. x 12"D.	1
WHG-3024	30"W. x 24"H. x 12"D.	2
WHG-3624	36"W. x 24"H. x 12"D.	2
WHG-4224	42"W. x 24"H. x 12"D.	2
WHG-4824	48"W. x 24"H. x 12"D.	2
WHG-1230	12"W. x 30"H. x 12"D.	1
WHG-1830	18"W. x 30"H. x 12"D.	1
WHG-2430	24"W. x 30"H. x 12"D.	1
WHG-3030	30"W. x 30"H. x 12"D.	2
WHG-3630	36"W. x 30"H. x 12"D.	2
WHG-4230	42"W. x 30"H. x 12"D.	2
WHG-4830	48"W. x 30"H. x 12"D.	2
WHG-1236	12"W. x 36"H. x 12"D.	1
WHG-1836	18"W. x 36"H. x 12"D.	1
WHG-2436	24"W. x 36"H. x 12"D.	1
WHG-3036	30"W. x 36"H. x 12"D.	2
WHG-3636	36"W. x 36"H. x 12"D.	2
WHG-4236	42"W. x 36"H. x 12"D.	2
WHG-4836	48"W. x 36"H. x 12"D.	2
WHG-1242	12"W. x 42"H. x 12"D.	1
WHG-1842	18"W. x 42"H. x 12"D.	1
WHG-2442	24"W. x 42"H. x 12"D.	1
WHG-3042	30"W. x 42"H. x 12"D.	2
WHG-3642	36"W. x 42"H. x 12"D.	2
WHG-4242	42"W. x 42"H. x 12"D.	2
WHG-4842	48"W. x 42"H. x 12"D.	2

cmp

CONTINENTAL METAL PRODUCTS CO., INC./P.O. BOX 2295, 35 OLYMPIA AVENUE, WOBURN, MA 01888
PHONE (781) 935-4400 FAX (781) 935-4404 web: www.continentalmetal.com email address: cmpwbn@gis.net

Stainless Steel Casework

Counter Tops

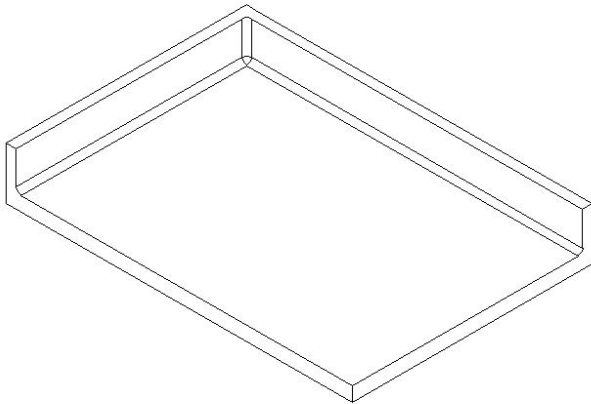
CMP counter tops are designed to accommodate CMP Base Cabinets and are manufactured from #16 gauge type 304 stainless steel polished to #4 finish. Tops are available with either a 1-1/2" boxed front edge or 1/4" raised marine edge. Back and end-splashes are 4" high, integral with top and constructed with 1/4" radius coved corners. Underside of tops are reinforced with #16 gauge hat channels to prevent twisting, oil-canning or buckling. Standard tops are constructed 25" wide by any length. Coved corner sinks when specified are integrally welded and polished to match #4 finish. Custom sizes are available upon request, please contact us.

Features

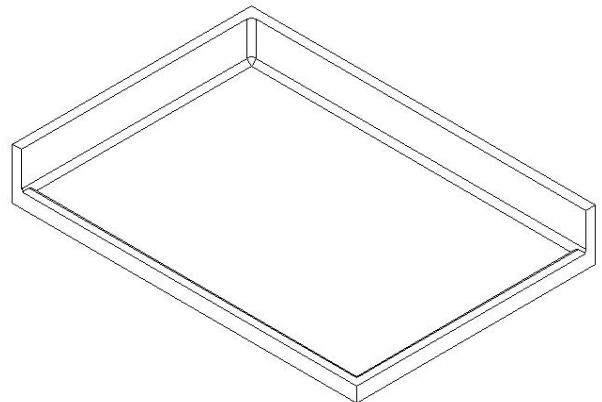
- Type 304 Stainless Steel Construction
- Boxed Front Edge or Raised Marine Edge
- All Welded Corners and Back-Splash Fillers
- Integrally Welded Sinks
- Reinforcing Channels on Underside

Options

- Custom Widths
- Special Height Back-splashes
- Sound Deadening Undercoat
- Type 316 Stainless Steel (Chemical Resistant)
- Custom Sink Sizes



**Boxed Edge Counter Top Shown with
Back-splash and Optional Left End-Splash**



**Marine Edge Counter Top Shown with
Back-splash and Optional Left End-Splash**

cmp

CONTINENTAL METAL PRODUCTS CO., INC./P.O. BOX 2295, 35 OLYMPIA AVENUE, WOBURN, MA 01888
PHONE (781) 935-4400 FAX (781) 935-4404 web: www.continentalmetal.com email address: cmpwbn@gis.net