

# Model RS

## REFRIGERATOR AND SINK UNIT

### Features

- Stainless Steel Construction
- Self Defrosting Refrigerator
- Counter and Sink
- Storage Compartment with Shelf
- Standard Service Connections for Hot Water, Cold Water, Waste and Electrical

### Dimensions

48" , 60" or 72" wide x 25" deep  
x 36" high

### Specifications

#### Construction

Model RS Refrigerator and Sink shall be constructed of Type 304 stainless steel, welded by Heliarc process, with exposed welds ground and polished to No. 4 finish. Model RS-6 shall be 72" (1,829 mm) wide; Model RS-5 shall be 60" (1,524 mm) wide and Model RS-4 shall be 48" (1,219 mm) wide. Each unit shall be 25" (635 mm) deep x 36" (914 mm) high.

#### Refrigerator

4.5 cu. ft. (127 liter) self-defrosting refrigerator shall be equipped with two stainless steel adjustable shelves (either perforated or wire rack). Cooling shall be provided by choice of integral "cold-wall" or blower-coil construction, incorporating foamed-in-place urethane insulation. Refrigerator shall be equipped with 1/5 hp, hermetically sealed compressor and timed self-defrosting circuitry (5-year warranty on compressor).



Door seal shall be of long-life, vinyl latex, and bakelite breaker strips shall be installed where interior surfaces join. Door is to be mounted on heavy-duty chrome-plated hinges and fitted with edgemount latch and cylinder lock.

#### Counter and Sink

Full-length No. 16 gauge (1.5 mm) stainless steel counter top shall be coved at rear with integral 14" (356 mm) x 16" (406 mm) x 7" (178 mm) deep die-stamped coved-corner sink, complete with waste. Hot and cold water faucet shall be provided as standard equipment.

#### Storage Compartment

Models RS-5 and RS-6 shall have spacious storage area under counter with stainless steel shelf.

#### Service Connections

Connections required are: 1/2" (13 mm) hot water, 1/2" (13 mm) cold water, and 1 1/2" (38 mm) waste. Standard electrical requirements: with hot plates—110/208 vac or 120/240 vac, single-phase, 60 Hz, 20 amperes, three-wire; without hot plates—same vac, but single-phase, 60 Hz, 10 amperes. All service and maintenance shall be done from front of compressor compartment.

### Options

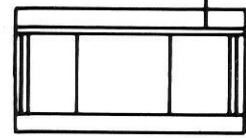
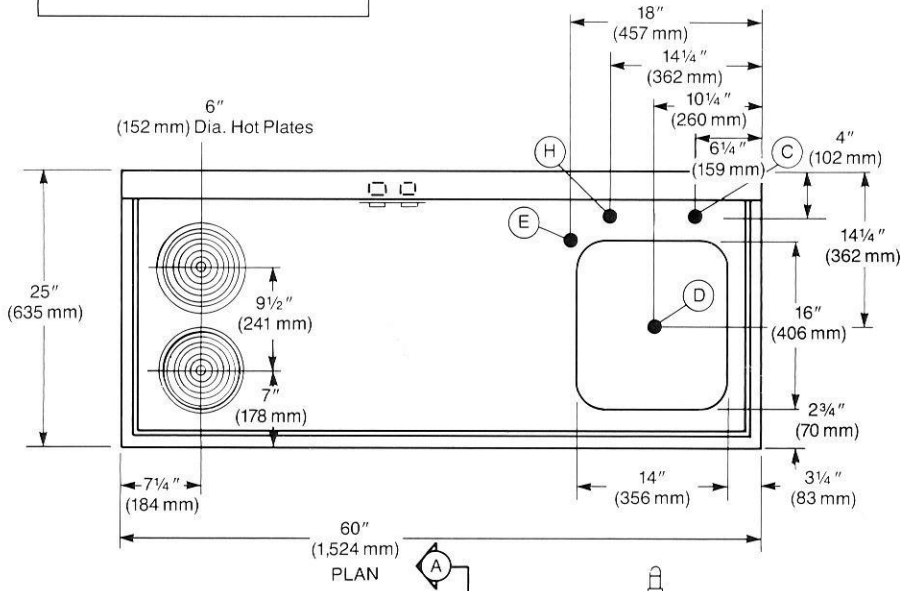
- Choice of One or Two Hot Plates in counter top with variable controls mounted in backsplash.
- Wrist Blade Handles.
- Cold-Wall Refrigeration System.
- Blower-Type Refrigeration System.

# cmp

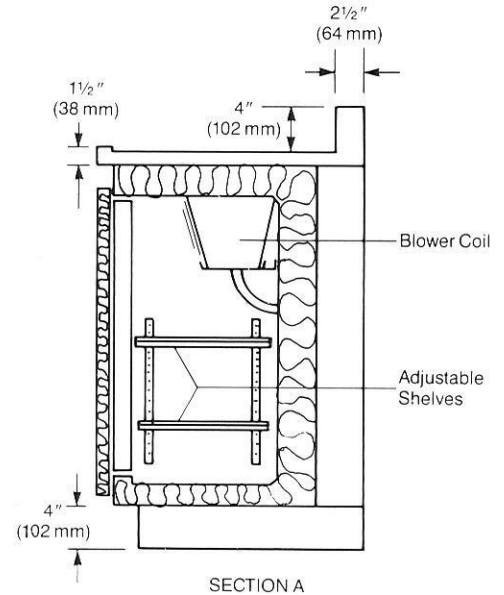
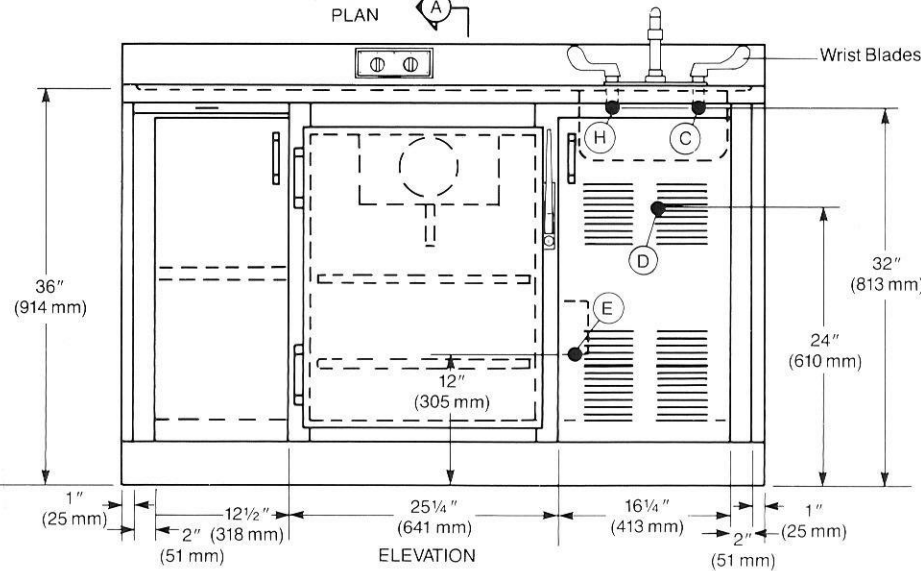
# MODEL RS REFRIGERATOR AND SINK UNIT

REQUIRED CONNECTIONS	
H	1/2" (13 mm) I.P.S. Hot Water
C	1/2" (13 mm) I.P.S. Cold Water
D	1 1/2" (38 mm) O.D. Waste
E	120/208 vac, 60 Hz, 10, 20 amps

Model RS-5 Shown



1/4" (6 mm) Scale  
May be Traced



Continental Metal Products Co. Inc., reserves the right to change materials and specifications resulting from a continuous effort to improve its products.

## Warranty

CMP parts are warranted against factory defects for a period of 1 year, and will be replaced upon return of defective item. All units will be serviced by factory without cost to buyer (labor and materials) for 90 days following installation. After 90 day period, replacement of a defective part (labor) will be at buyer's expense.

Compressors used in CMP units are warranted for 5 years. 90-day provisions stated above also apply.

# cmp

CONTINENTAL METAL PRODUCTS CO., INC/P.O. BOX 2295, 35 OLYMPIA AVENUE, WOBURN, MA 01888  
PHONE (781) 935-4400 FAX (781) 935-4404 • www.continentalmetal.com •