



CONTINENTAL METAL PRODUCTS

Stainless Steel Healthcare Equipment
Meeting the Demands of the OR

Stainless Steel Sink Workstations

healthcare division

Proudly Made in the
USA for over 65 years



CMP has been building Stainless Steel Sink Workstations for over 65 years. CMP's Sink Workstations are of the highest quality and are extremely rugged and durable. Sink Workstations are available in many standard sizes and can also be customized to meet any requirement. CMP is so confident in our quality and craftsmanship that we offer a two year labor and six year parts warranty.

Features:

- Stainless Steel Construction
- Many Sink Sizes Available
- Integral Backsplash
- Reinforcement Channels
- Optional S/S Undershelf
- Holes in Counter for Faucets
- Many Standard Sizes Available
- Raised No Drip Marine Edge
- Optional End Splashes Available
- Stainless Steel Sink Apron
- S/S Tubular Crossbracing
- Optional Waste Disposer
- Custom Sizes
- Coved Corner Integral Sinks
- 16 Gauge S/S Countertop
- Adjustable Bullet Feet
- Stainless Steel Legs
- Optional Eyewash

Continental Metal Products Co., Inc. – 35 Olympia Avenue, Woburn, MA 01801
Phone (781) 935-4400 FAX (781) 935-4404 www.continentalmetal.com sales@continentalmetal.com



CONTINENTAL METAL PRODUCTS

Stainless Steel Healthcare Equipment
Meeting the Demands of the OR

Stainless Steel Sink Workstations

healthcare division

Proudly Made in the
USA for over 65 years



Specifications:

Continental Metal Products Stainless Steel Sink Workstations shall be constructed of type 304 stainless steel with a no. 4 finish. All corners are welded, ground, blended and polished to match a no. 4 finish.

Standard dimensions shall be 25" deep x 36 to 37-1/2" high x 48" to 120" wide (in 12" increments).

Unit shall be constructed of no. 16 gauge stainless steel top with 1/8" high raised no drip marine edge on front and two sides to retain water droplets. Rear shall have a backsplash with 1/4" radius at counter top, flanged up 4" high and returned back 1" wide and down 1/2" to form boxed type edge. Underside of top shall be reinforced with no. 16 gauge channels to prevent warping or distortion.

No. 18 gauge stainless steel integral sinks shall be provided as specified with 1-3/4" radius coved corners. See below for available standard sink sizes. Top is punched to accommodate specified plumbing fixtures. Front and two sides of workstation shall have a no. 18 gauge stainless steel apron to conceal sink bowls.

Workstation shall be freestanding and mounted on 1-5/8" O.D. no. 16 gauge tubular stainless steel legs with enclosed square set screw sockets and adjustable bullet feet to vary height from 36" to 37-1/2" maximum. Four (4) legs are provided for tables 48" to 72" and six (6) legs for 84" to 120" widths. Crossbracing shall be used to secure legs and ensure stability. Offset wall clips are provided for securing equipment at backsplash.

Standard service connections required are 1/2" hot water, 1/2" cold water and 1-1/2" waste.

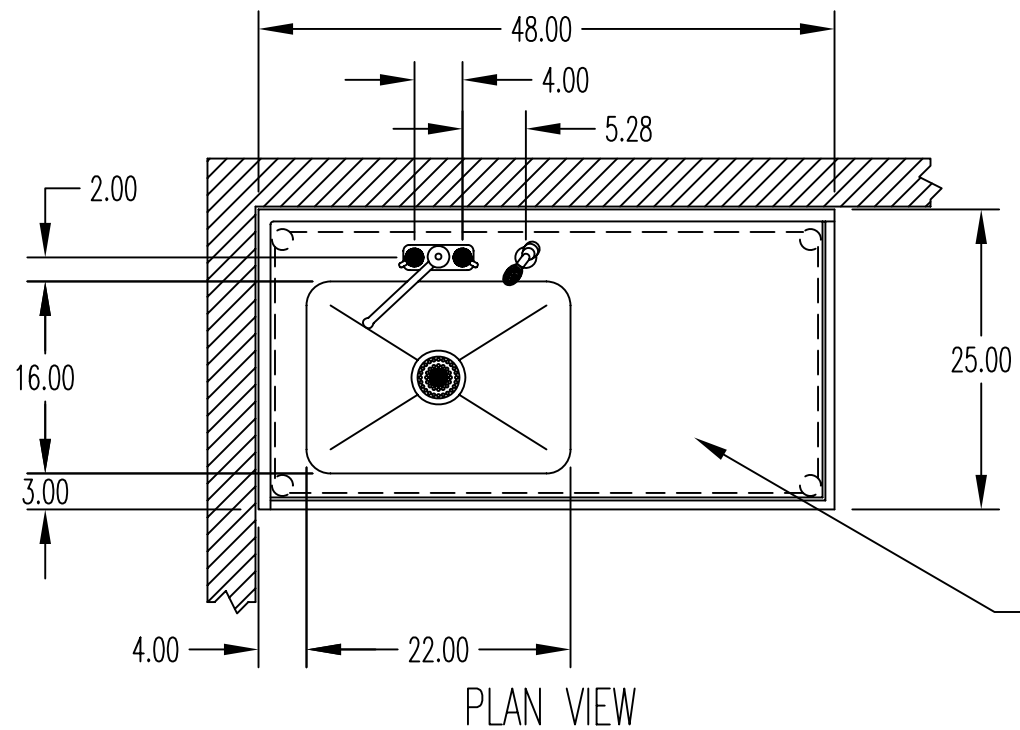
Standard Sizes:

<u>Model #</u>	<u># of Sinks</u>	<u>Dimensions</u>	<u>Options</u>
WS1-48	1	25" deep x 36" high x 48" wide	Number of Sinks
WS1-60	1	25" deep x 36" high x 60" wide	Sink Locations
WS1-72	1	25" deep x 36" high x 72" wide	Left or Right End Splashes
WS1-84	1	25" deep x 36" high x 84" wide	Stainless Steel Undershef
WS1-96	1	25" deep x 36" high x 96" wide	Eyewash
WS1-108	1	25" deep x 36" high x 108" wide	Waste Disposer
WS1-120	1	25" deep x 36" high x 120" wide	Hot and Cold Water Faucet Side Spray
WS2-60	2	25" deep x 36" high x 60" wide	Air Gun
WS2-72	2	25" deep x 36" high x 72" wide	Soap Dispenser
WS2-84	2	25" deep x 36" high x 84" wide	Custom Sink Sizes
WS2-96	2	25" deep x 36" high x 96" wide	
WS2-108	2	25" deep x 36" high x 108" wide	
WS2-120	2	25" deep x 36" high x 120" wide	
WS3-72	3	25" deep x 36" high x 72" wide	14" x 14" x 7-1/2" or 10-1/2" deep
WS3-84	3	25" deep x 36" high x 84" wide	14" x 16" x 7-1/2", 10-1/2" or 12" deep
WS3-96	3	25" deep x 36" high x 96" wide	14" x 18" x 7-1/2" or 10-1/2" deep
WS3-108	3	25" deep x 36" high x 108" wide	16" x 16" x 7-1/2", 10-1/2" or 12" deep
WS3-120	3	25" deep x 36" high x 120" wide	16" x 22" x 7-1/2", 10-1/2" or 12" deep 16" x 28" x 7-1/2", 10-1/2" or 12" deep

Standard Sink Sizes

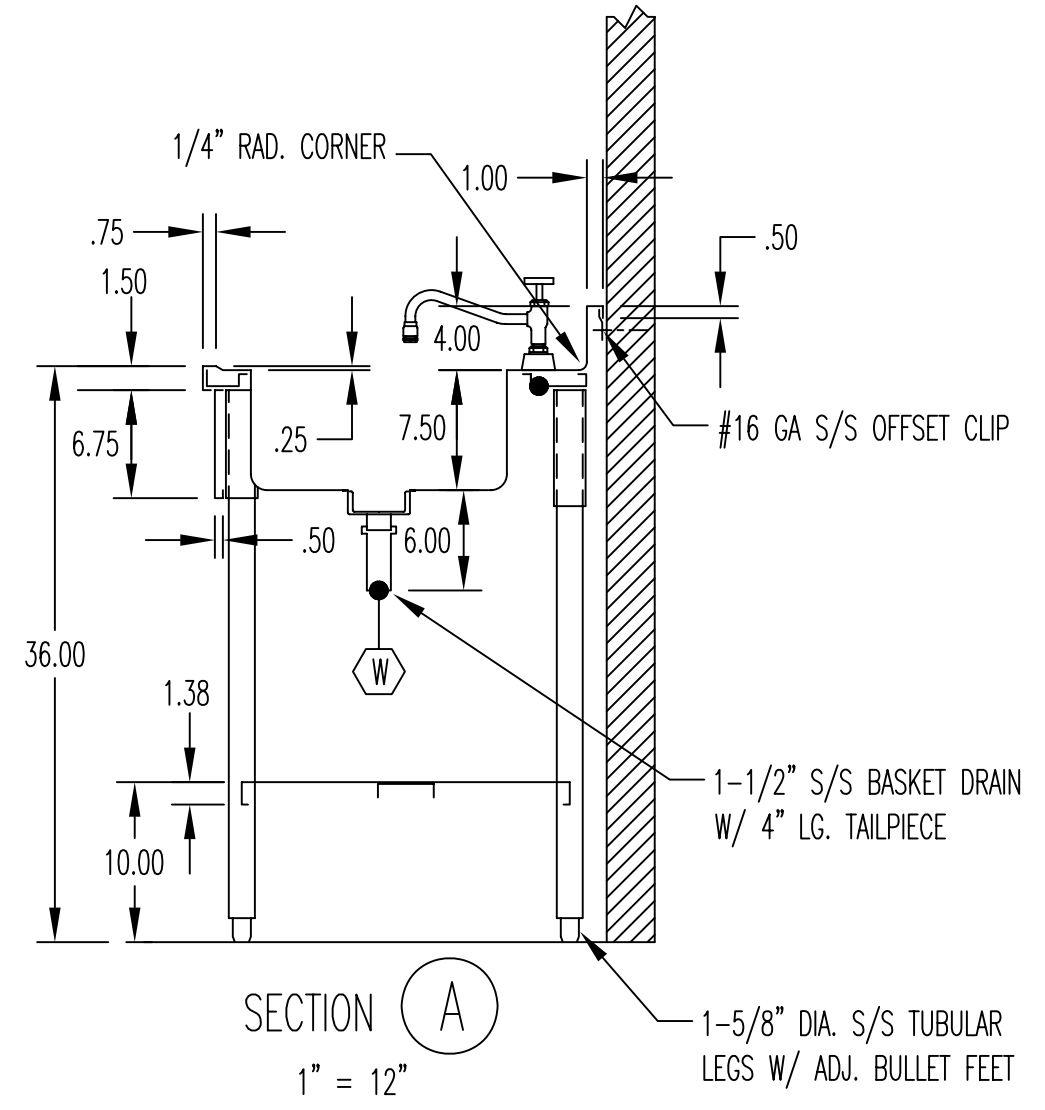
These models are part of our standard product line. Other sizes are available. **Custom Sizes Available**

Continental Metal Products Co., Inc. – 35 Olympia Avenue, Woburn, MA 01801
Phone (781) 935-4400 FAX (781) 935-4404 www.continentalmetal.com sales@continentalmetal.com

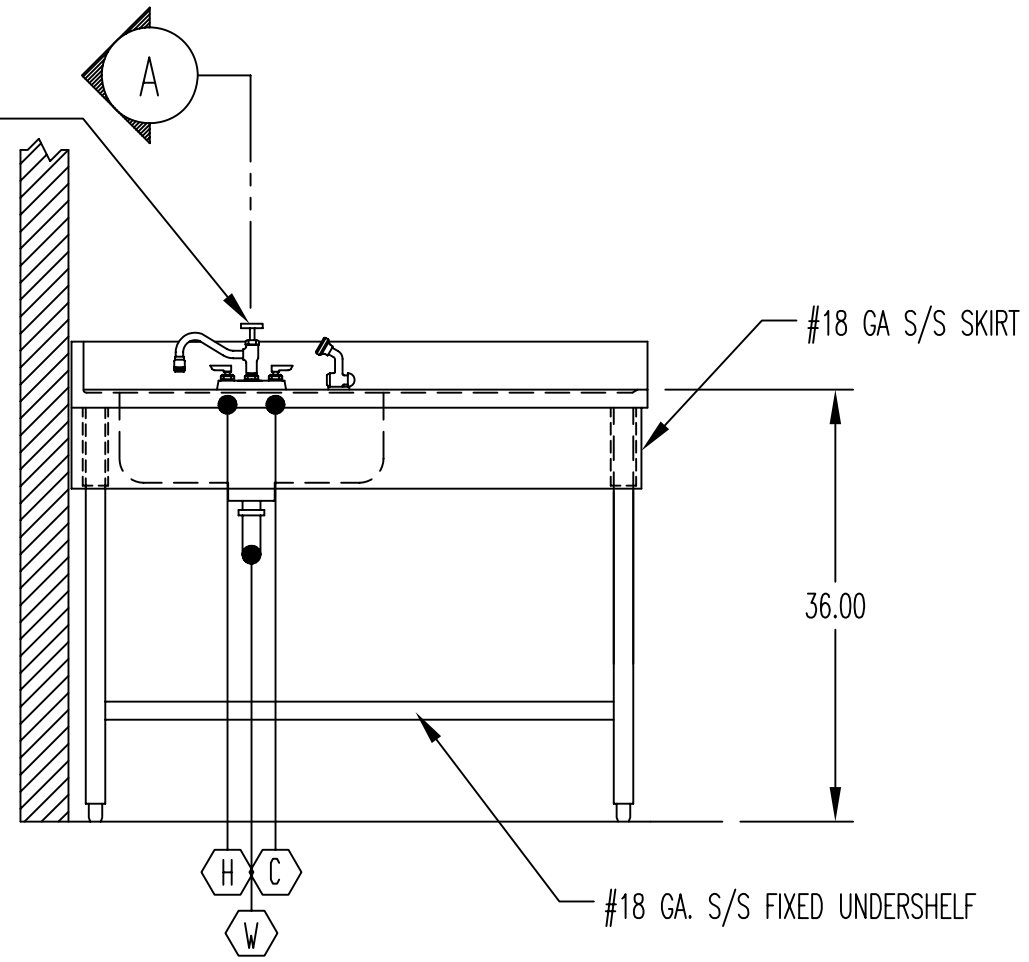


#16 GA S/S TOP W/ RAISED MARINE EDGE ON FRONT & RIGHT SIDE & 4" H. INTEGRAL COVERED CORNER BACK-SPLASH & LEFT END-SPLASH. INTEGRAL COVE CORNER SINK W/ S/S BASKET DRAIN & 1-1/2" TAILPIECE.

- NOTES:
1. ALL FIXTURES ARE FURNISHED LOOSE FOR INSTALLATION BY PLUMBING CONTRACTOR.
 2. ALL S/S SHALL BE TYPE 304 POLISHED TO NO. 4 FINISH.



DECK MTD. H & CW FAUCET W/ SWING SPOUT & PRE-RINSE SPRAY W/ 4 FT FLEXIBLE HOSE



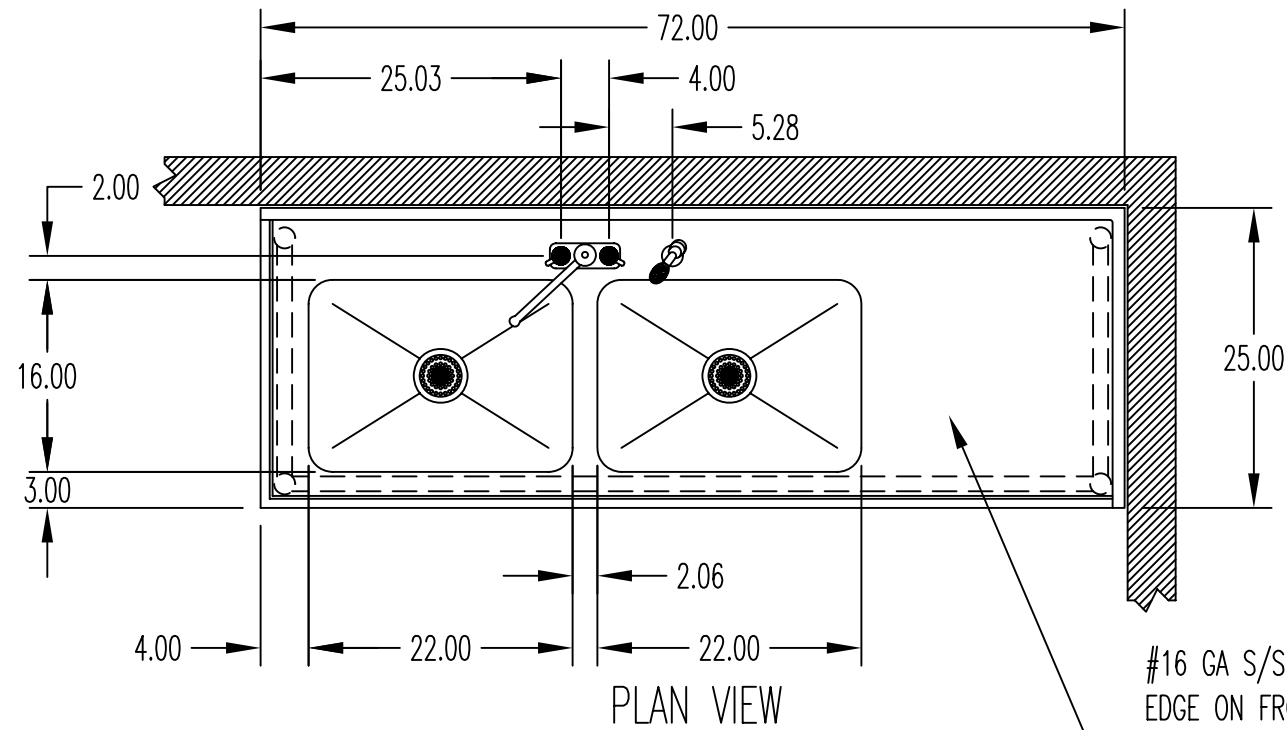
ELEVATION

REQUIRED SERVICES

H	1/2" HOT WATER @ 30 PSI MIN.
C	1/2" COLD WATER @ 30 PSI MIN.
W	1-1/2" O.D. WASTE

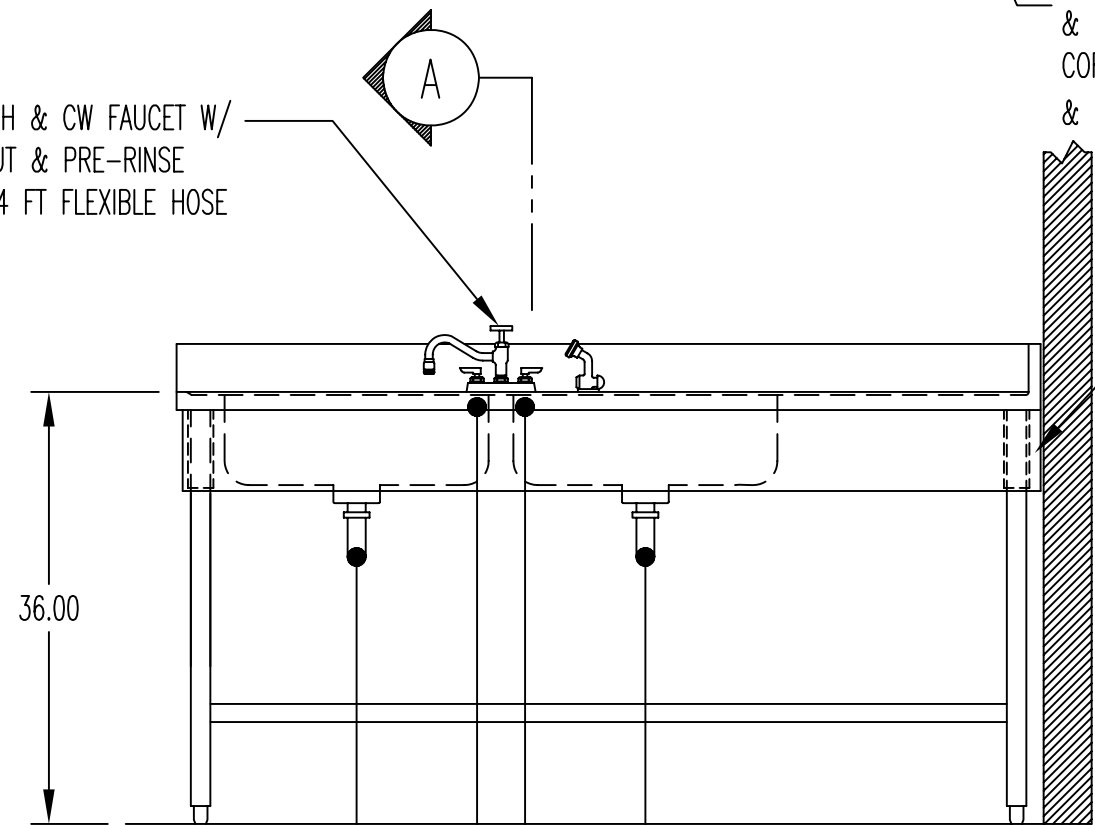
ALL SERVICES MUST BE ROUGHED IN FROM REAR WALL. HEIGHTS ARE SHOWN TO BOTTOM OF CONNECTIONS. ALLOWANCES MUST BE MADE FOR VALVES, TRAPS AND OTHER CONNECTION REQUIREMENTS

REVISIONS			CONTINENTAL METAL PRODUCTS CO., INC.	
NO.	DATE	BY	35 OLYMPIA AVE. - WOBURN, MA. 01888	
			MODEL NO. WS1-48 WORK STATION W/ (1) SINK 22" x 16" x 7-1/2" DP.	
			SCALE: 3/4" = 12"	DATE: 08/25/2009 DRAWN: MAL
			SHEET: 1 OF 1	SYS DWG NO. ACB-1678 REV



PLAN VIEW

DECK MTD. H & CW FAUCET W/
SWING SPOUT & PRE-RINSE
SPRAY W/ 4 FT FLEXIBLE HOSE

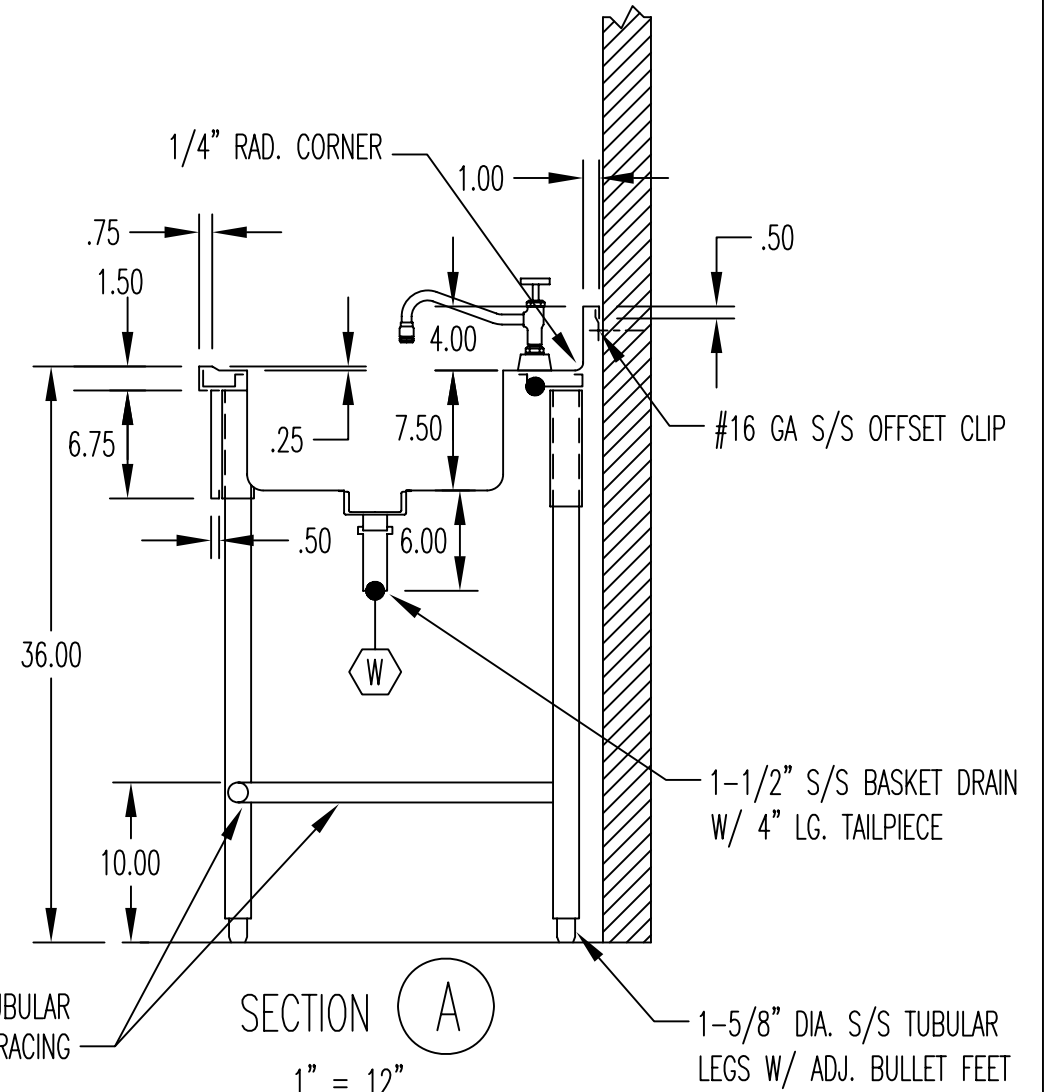


ELEVATION

#16 GA S/S TOP W/ RAISED MARINE
EDGE ON FRONT & LEFT SIDE & 4" H.
INTEGRAL COVERED CORNER BACK-SPLASH
& RIGHT END-SPLASH. INTEGRAL COVE
CORNER SINKS W/ S/S BASKET DRAIN
& 1-1/2" TAILPIECE.

#18 GA S/S SKIRT
FRONT & LEFT SIDE

1-1/4" DIA. S/S TUBULAR
CROSSBRACING



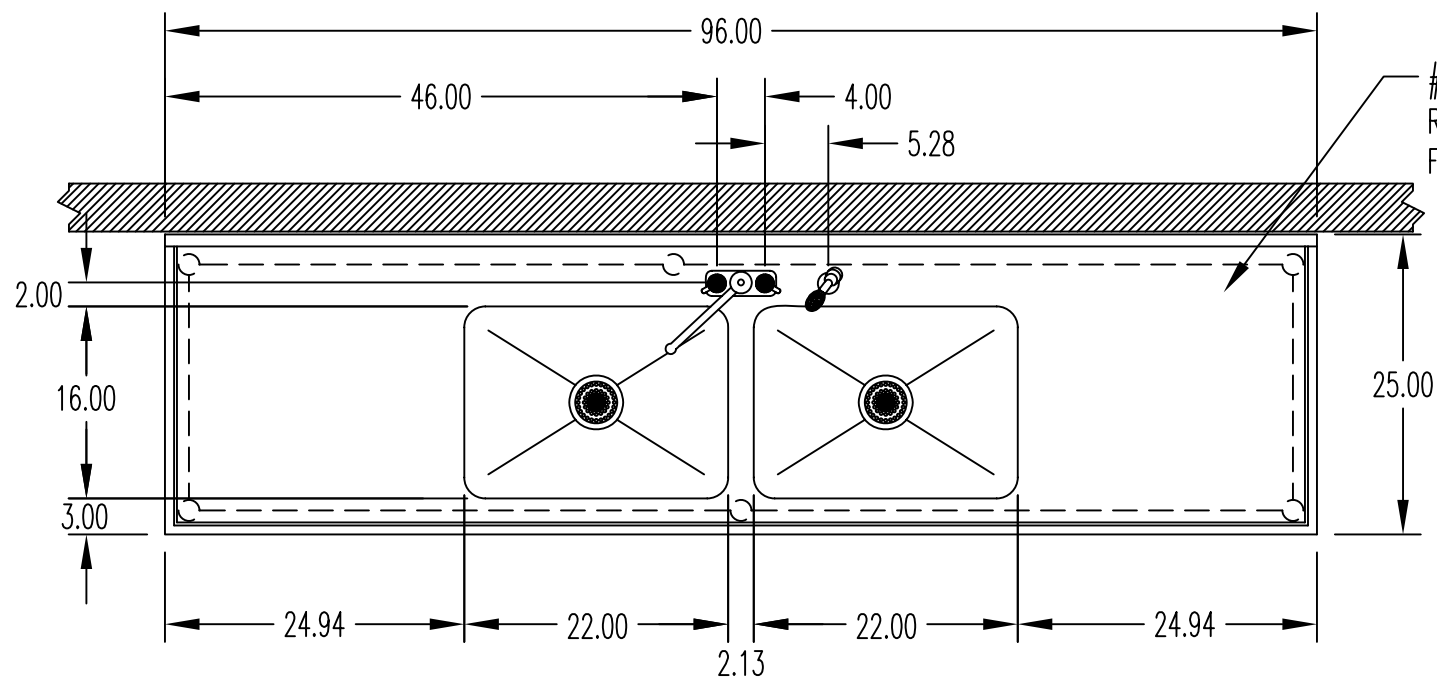
SECTION A
1" = 12"

- NOTES:
1. ALL FIXTURES ARE FURNISHED LOOSE FOR INSTALLATION BY PLUMBING CONTRACTOR.
 2. ALL S/S SHALL BE TYPE 304 POLISHED TO NO. 4 FINISH.

REQUIRED SERVICES	
H	1/2" HOT WATER @ 30 PSI MIN.
C	1/2" COLD WATER @ 30 PSI MIN.
W	1-1/2" O.D. WASTE

ALL SERVICES MUST BE ROUGHED IN FROM REAR WALL. HEIGHTS ARE SHOWN TO BOTTOM OF CONNECTIONS. ALLOWANCES MUST BE MADE FOR VALVES, TRAPS AND OTHER CONNECTION REQUIREMENTS

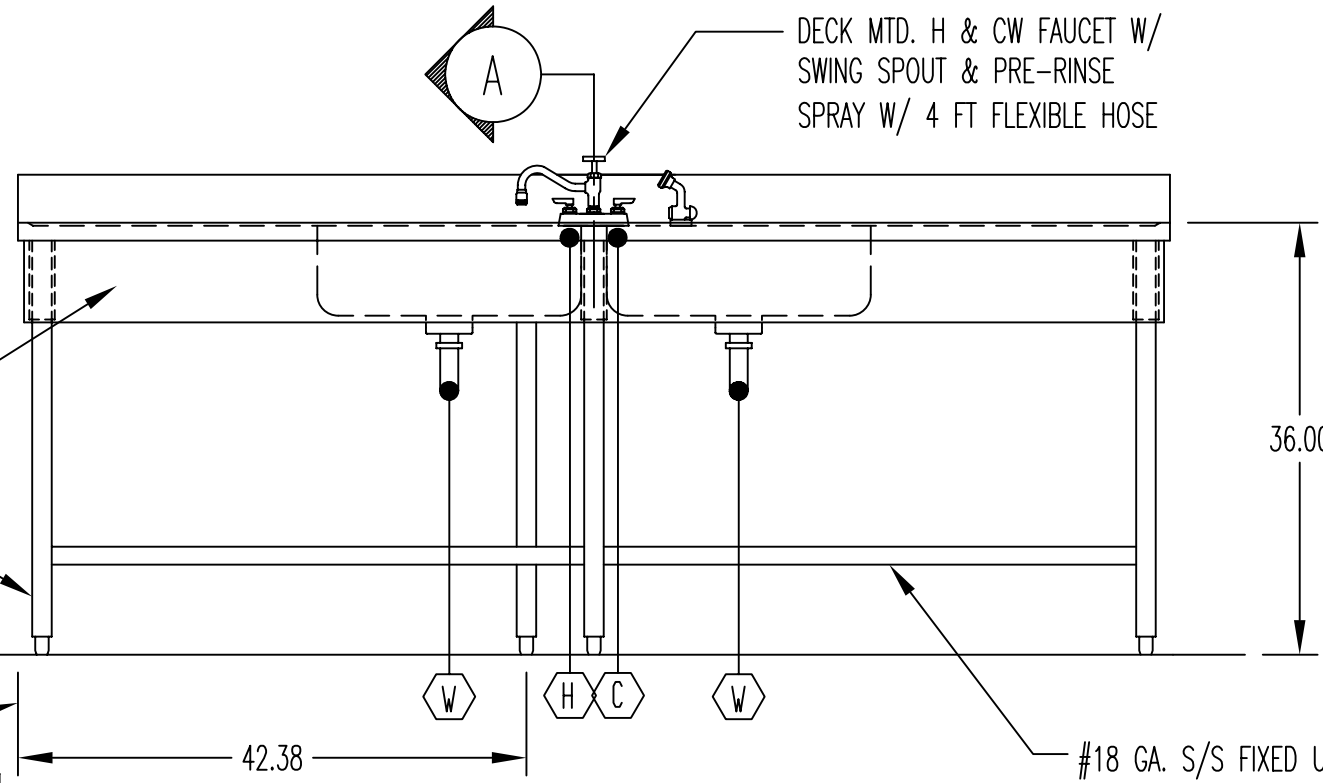
REVISIONS			CONTINENTAL METAL PRODUCTS CO., INC.	
NO.	DATE	BY	35 OLYMPIA AVE. - WOBURN, MA. 01888	
			MODEL NO. WS2-72 WORK STATION W/ (2) SINKS 22" x 16" x 7-1/2" DP.	
			SCALE: 3/4" = 12"	DATE: 07/28/2010 DRAWN: MAL
			SHEET: 1 OF 1	SYS DWG NO. ACB-1707 REV



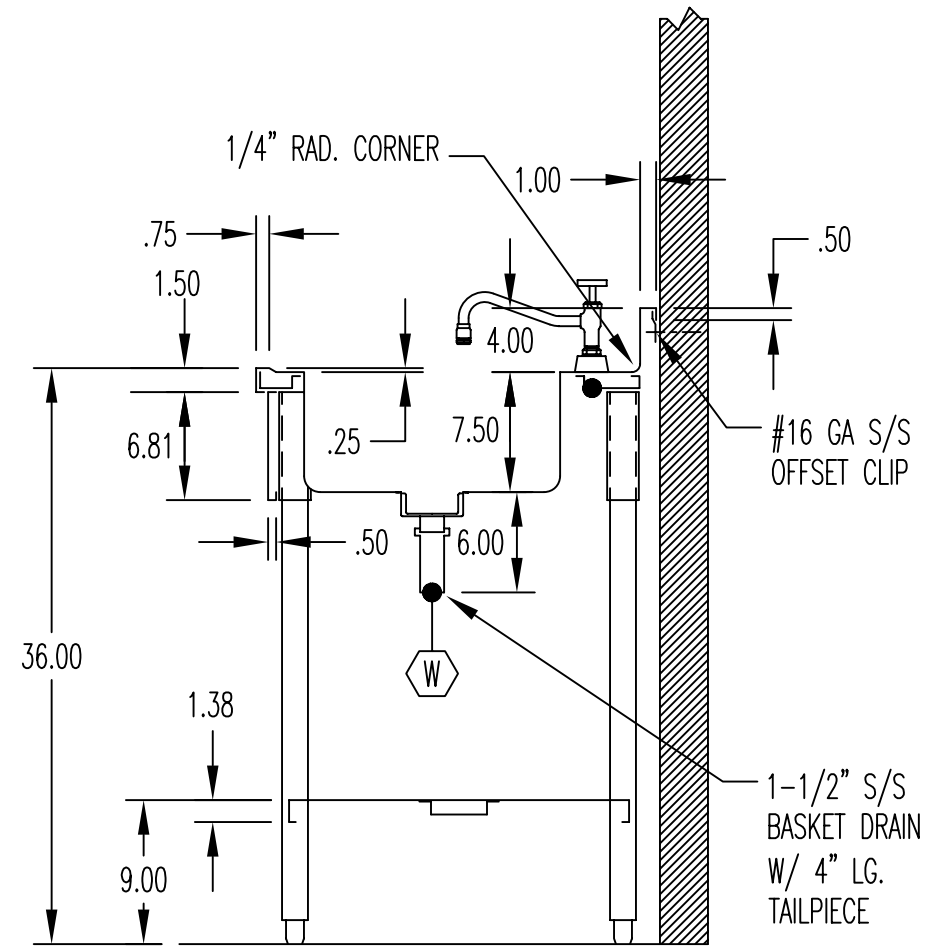
PLAN VIEW

#16 GA S/S TOP W/
RAISED MARINE EDGE
FRONT & BOTH ENDS

- NOTES:
1. ALL FIXTURES ARE FURNISHED LOOSE FOR INSTALLATION BY PLUMBING CONTRACTOR.
 2. ALL S/S SHALL BE TYPE 304 POLISHED TO NO. 4 FINISH.



ELEVATION



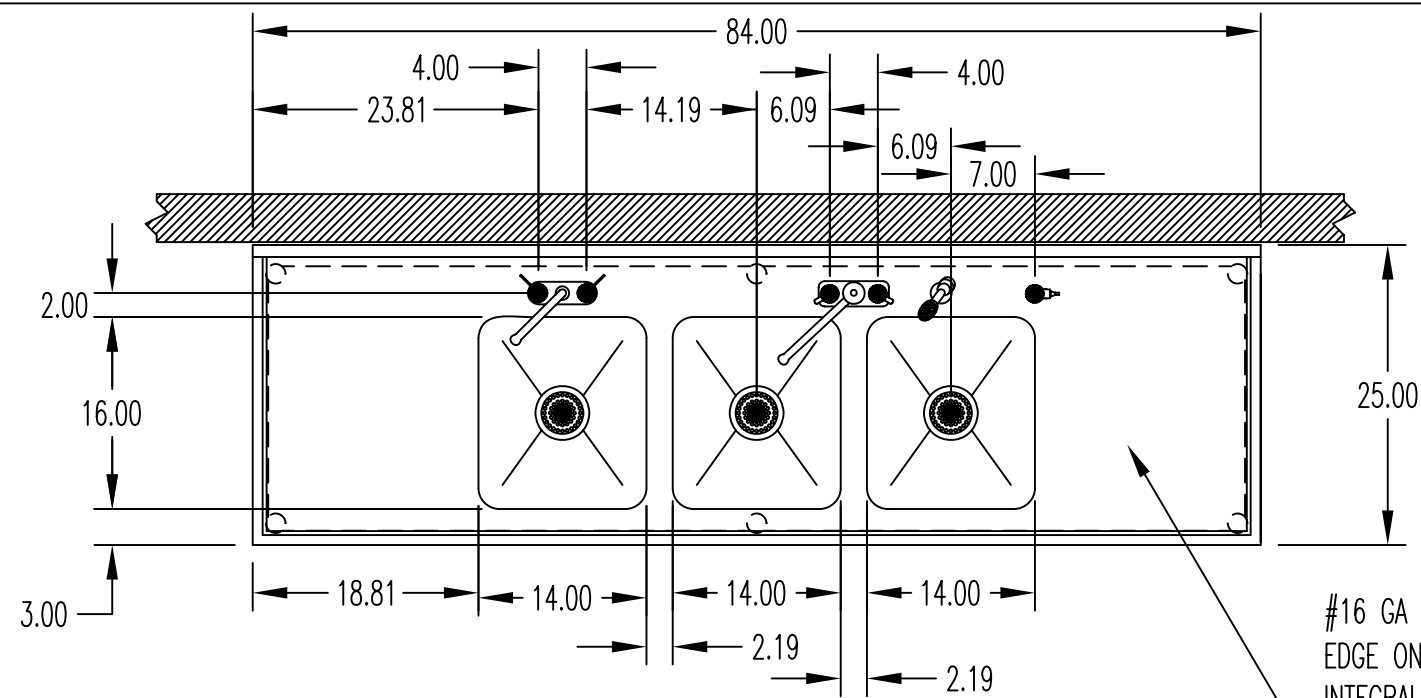
SECTION A
1" = 12"

REQUIRED SERVICES	
H	1/2" HOT WATER @ 30 PSI MIN.
C	1/2" COLD WATER @ 30 PSI MIN.
W	1-1/2" O.D. WASTE

PLEASE NOTE LOCATION OF REAR SUPPORT LEG WHEN LOCATING PLUMBING ROUGH-INS

ALL SERVICES MUST BE ROUGHED IN FROM REAR WALL. HEIGHTS ARE SHOWN TO BOTTOM OF CONNECTIONS. ALLOWANCES MUST BE MADE FOR VALVES, TRAPS AND OTHER CONNECTION REQUIREMENTS

REVISIONS			 CONTINENTAL METAL PRODUCTS CO., INC. 35 OLYMPIA AVE. - WOBURN, MA 01888 MODEL NO. WS2-96 TWO SINK WORK STATION W/ SINKS CENTERED			
NO.	DATE	BY	SCALE: 3/4" = 12"	DATE: 10/25/2012	DRAWN: MAL	
			SHEET: 1 OF 1	SYS AC	DWG NO. ACB-1779	REV



DECK MTD. H & CW FAUCET W/
SWING SPOUT & PRE-RINSE
SPRAY W/ 4 FT FLEXIBLE HOSE

PLAN VIEW

#16 GA S/S TOP W/ RAISED MARINE
EDGE ON FRONT & SIDES & 4" H.
INTEGRAL COVERED CORNER BACK-SPLASH.
INTEGRAL COVE CORNER SINKS W/
S/S BASKET DRAIN & 1-1/2" TAILPIECE.

HEALTHMARK SPRAY GUN (80-10-70-38)
WITH TOP ROSETTE (80-00-17) AND COMPLETE
SET OF TIP ATTACHMENTS

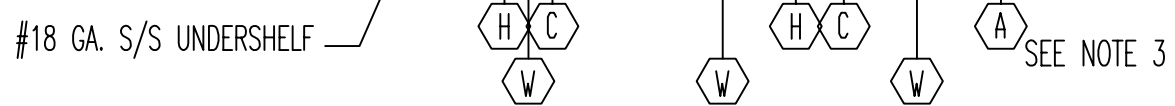
FISHER MANUFACTURING
MODEL 3515 H & CW FAUCET
W/ SWIVEL GOOSENECK SPOUT

#18 GA S/S SKIRT
FRONT & BOTH SIDES

1-5/8" DIA. S/S TUBULAR
LEGS W/ ADJ. BULLET FEET

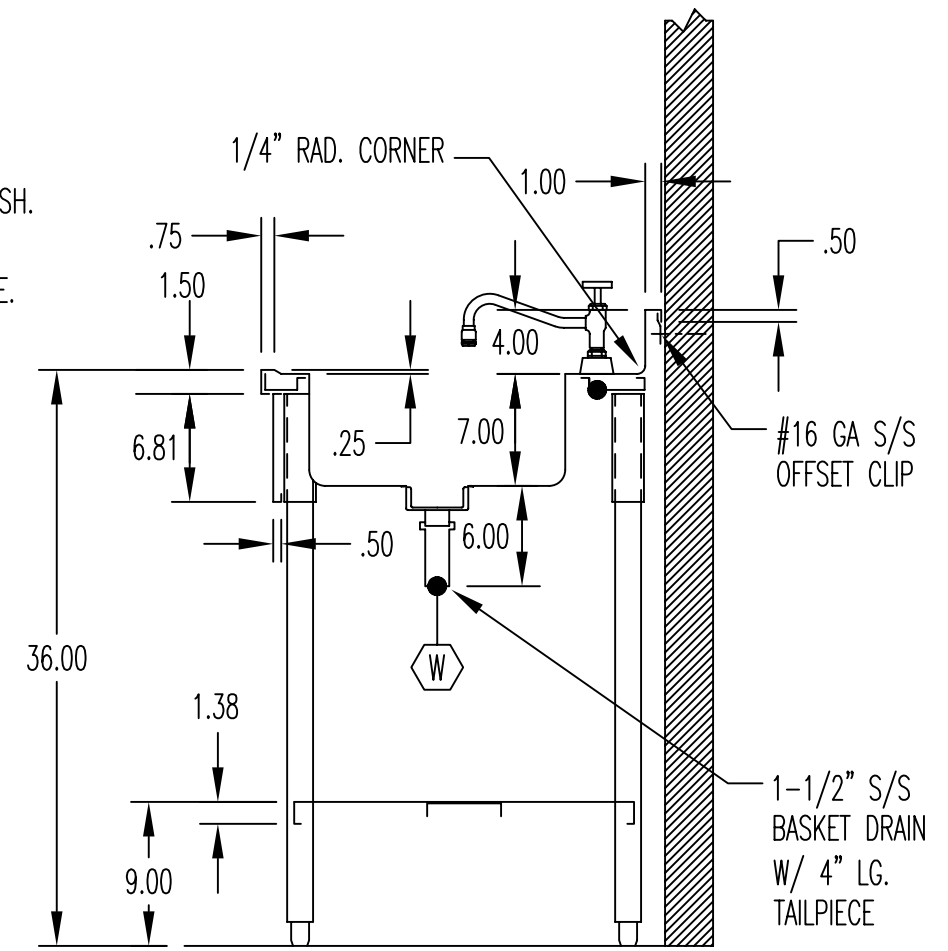
#18 GA. S/S UNDERSHELF

APPROX. LOC.
OF AIR VALVE
(BY G.C.)



ELEVATION

- NOTES:
1. ALL FIXTURES ARE FURNISHED LOOSE FOR INSTALLATION BY PLUMBING CONTRACTOR.
 2. ALL S/S SHALL BE TYPE 304 POLISHED TO NO. 4 FINISH.
 3. FITTINGS TO CONNECT AIR GUN TO AIR SUPPLY BY GENERAL CONTRACTOR.



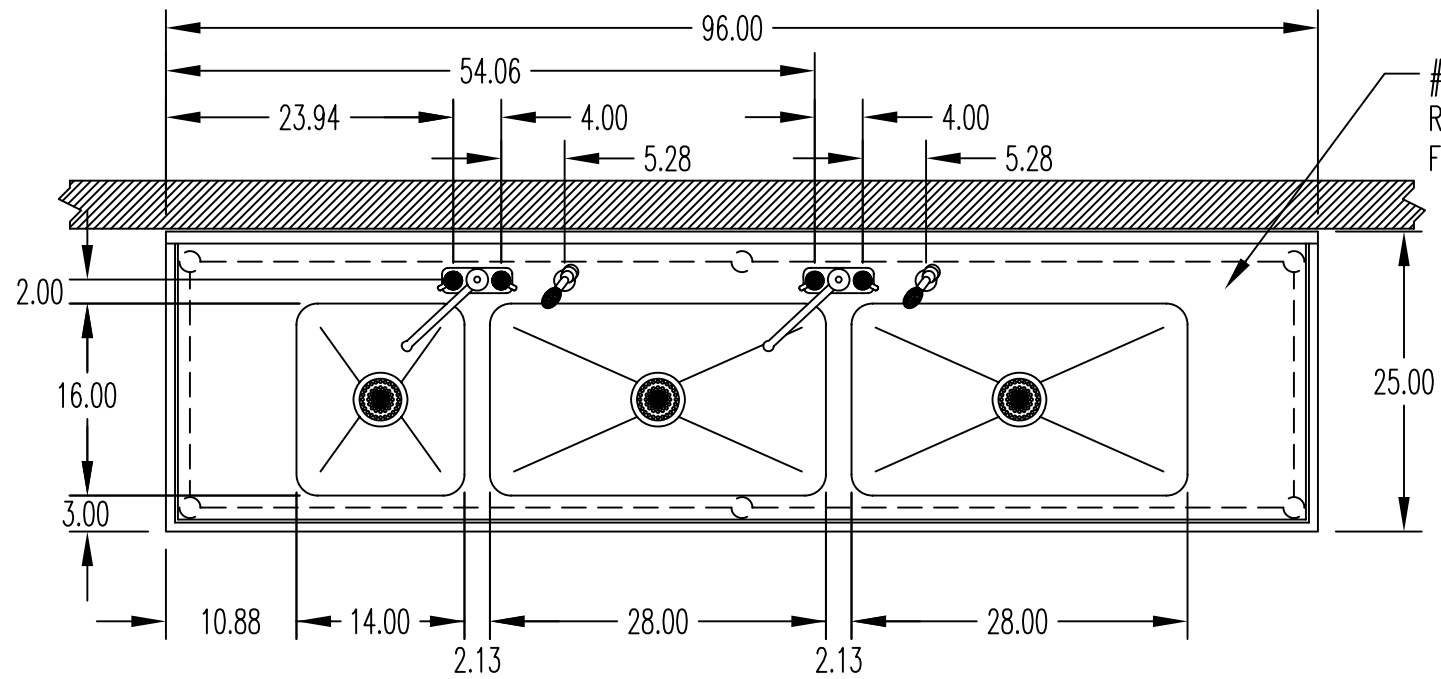
SECTION A

1" = 12"

REQUIRED SERVICES	
(A)	1/2" AIR
(H)	1/2" HOT WATER
(C)	1/2" COLD WATER
(W)	1-1/2" O.D. WASTE

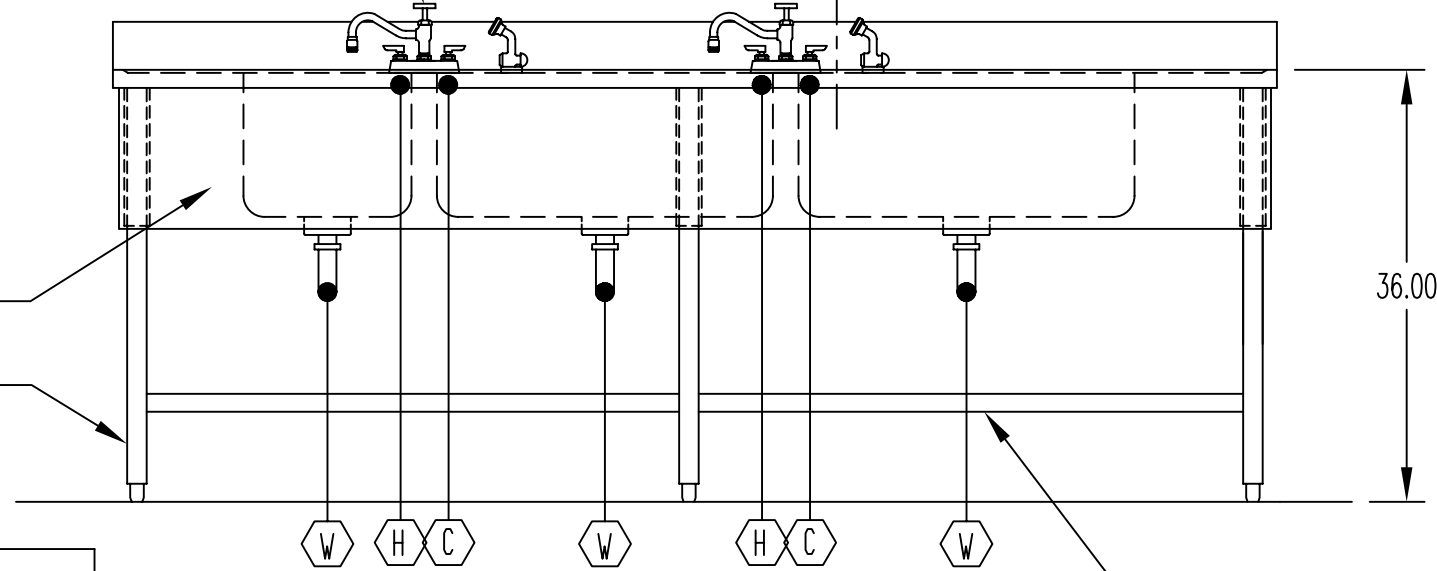
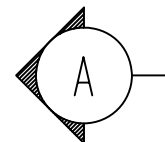
ALL SERVICES MUST BE ROUGHED IN FROM REAR WALL. HEIGHTS ARE SHOWN TO BOTTOM OF CONNECTIONS. ALLOWANCES MUST BE MADE FOR VALVES, TRAPS AND OTHER CONNECTION REQUIREMENTS

REVISIONS			emp	
NO.	DATE	BY	CONTINENTAL METAL PRODUCTS CO., INC.	
1	03/14/12	MAL	35 OLYMPIA AVE. - WOBURN, MA. 01888	
			MODEL NO. WS3-84 WORK STATION W/ (3) SINKS 14" x 16" x 7" DP.	
			SCALE: 3/4" = 12"	DATE: 02/17/2012
			DRAWN: MAL	
			SHEET: 1 OF 2	SYS AC
			DWG NO. ACB-1755-1	REV 1



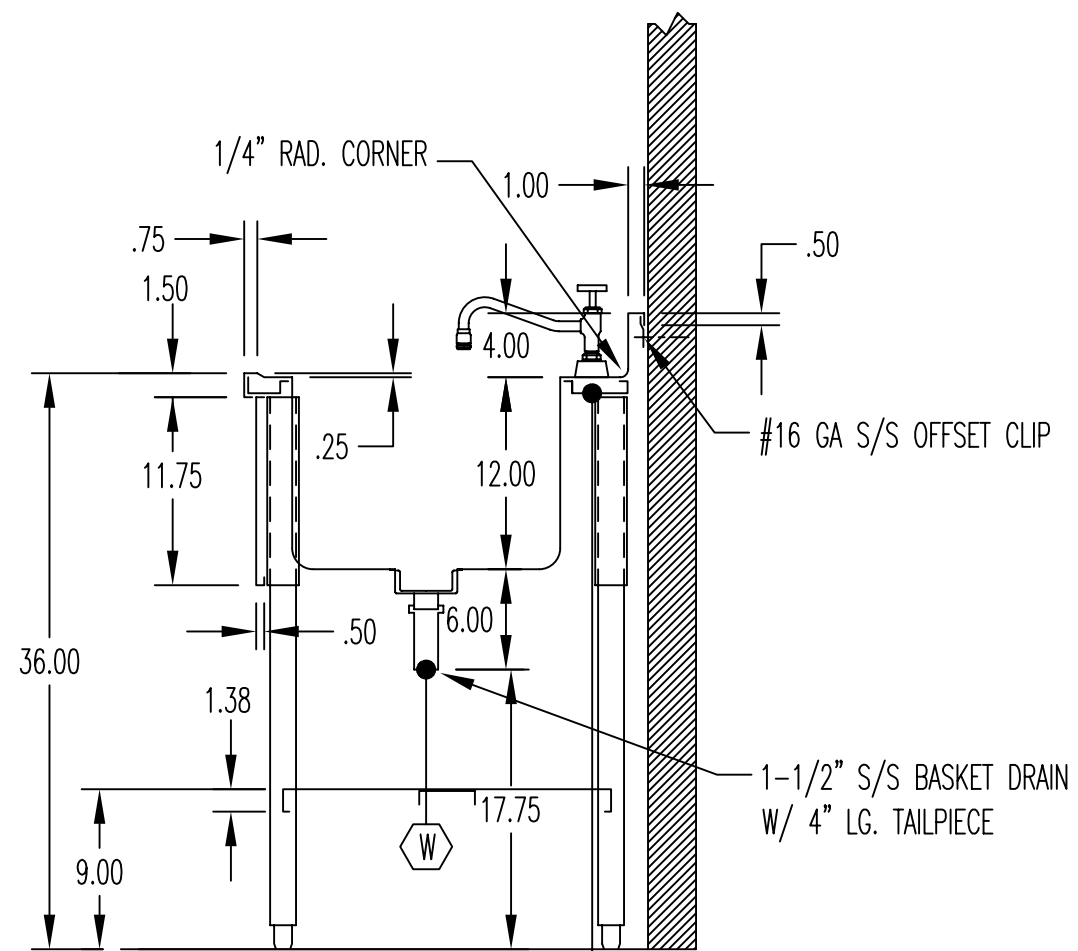
PLAN VIEW

T & S DECK MTD. H & CW FAUCET W/ SWING SPOUT & PRE-RINSE SPRAY W/ 4 FT FLEXIBLE HOSE



ELEVATION

- NOTES:
 1. ALL FIXTURES ARE FURNISHED LOOSE FOR INSTALLATION BY PLUMBING CONTRACTOR.
 2. ALL S/S SHALL BE TYPE 304 POLISHED TO NO. 4 FINISH.



SECTION A
 1" = 12"

REQUIRED SERVICES	
(H)	1/2" HOT WATER @ 30 PSI MIN.
(C)	1/2" COLD WATER @ 30 PSI MIN.
(W)	1-1/2" O.D. WASTE

ALL SERVICES MUST BE ROUGHED IN FROM REAR WALL. HEIGHTS ARE SHOWN TO BOTTOM OF CONNECTIONS. ALLOWANCES MUST BE MADE FOR VALVES, TRAPS AND OTHER CONNECTION REQUIREMENTS

REVISIONS			CONTINENTAL METAL PRODUCTS CO., INC.	
NO.	DATE	BY	35 OLYMPIA AVE. - WOBURN, MA. 01888	
			MODEL NO. WS3-96 THREE SINK WORK STATION W/ SINKS CENTERED	
			SCALE: 3/4" = 12"	DATE: 09/11/2012 DRAWN: MAL
			SHEET: 1 OF 1	DWG NO. ACB-1774