



CONTINENTAL METAL PRODUCTS

Stainless Steel Healthcare Equipment
Meeting the Demands of the OR

Stainless Steel Pass-Through Cabinets

healthcare division

Proudly Made in the
USA for over 70 years



CMP's Optional Exclusive Electronic Interlock System

- Meets USP<800> and USP<797> for Hospital Pharmacies
- CMP's exclusive interlock can be ordered to prevent either door from moving when the opposing door is opened. This ensures that the interlocked door cannot be forced open. The OR environment, hospital pharmacy anteroom, or Clean Room is protected during material transfer and eliminates Cross-Contamination.
- -CMP's heavy-duty interlock system's strength, resists up to 500 lbs. of force.
- Utilizes updated, state-of-the-art technology that ensures superior operational functionality as compared with the mechanical interlock systems of the past. This fail-safe design immediately locks the opposing door with a more secure safety seal. Mechanically interlocked systems do not hold as tightly.

CMP has been manufacturing Stainless Steel Pass-Through Cabinets for over 70 years. Our Pass-Through Cabinets are fabricated to the highest standards and offer an array of storage solutions. CMP Pass-Through Cabinets are utilized for use between Hospital Operating Rooms and the Sterile Core, as well as meeting USP<800> and <797 for Hospital Pharmacies. CMP is so confident in our quality and craftsmanship that we offer a two year labor and six year parts warranty.

Features:

- Stainless Steel Construction
- Heavy Duty Door Hardware
- Custom Sizes Available
- LED Light Option
- Glass doors with 1/4" thick safety glass
- Stainless steel double pan solid doors
- Optional Electronic Interlock System
- Fire Rated Option
- Adjustable Shelves
- Many Sizes Available
- Optional Door Locks

Continental Metal Products Co., Inc. – 35 Olympia Avenue, Woburn, MA 01801
Phone (781) 935-4400 FAX (781) 935-4404 www.continentalmetal.com sales@continentalmetal.com



CONTINENTAL METAL PRODUCTS

Stainless Steel Healthcare Equipment
Meeting the Demands of the OR

Stainless Steel Pass-Through Cabinets

healthcare division

Proudly Made in the
USA for over 70 years



Specifications:

Continental Metal Products Stainless Steel Pass-Through Cabinets are constructed of 18 gauge, type 304 stainless steel with a No. 4 finish. All exposed welds to be done by Heliarc process and ground and polished to match No. 4 finish. Pass-Through Cabinets can be selected and arranged in many different ways to accommodate the storage and operational needs of any institution.

The cabinets have a self-trimming perimeter flange that allows for an easy and clean installation into recessed openings. The wall opening on the other side of the installation is finished with stainless steel trim strips. The cabinets are also available with optional finished ends and tops. The cabinets can be mounted on a contractor built base or supplied with a stainless steel pedestal base. Glass doors contain 1/4" thick safety plate glass. Entire front portion of door is punched and formed from one piece of 18 gauge stainless steel. Stainless steel double pan doors are also available. Doors are mounted on heavy duty chrome plated hinges and are secured closed using nylon friction roller catches. Two point knob lock doors are also available. Cabinets with shelves use pilaster strips that allow for height adjustment increments of 1/2". The pilaster strips are easily removed to allow for proper sterilization of the cabinet and pilaster strip. Handles for doors are chrome plated. The cabinets contain one fixed mid-shelf and two adjustable shelves. The pass-through feature allows for loading of cabinet from corridor side. An electronic interlock system is optional which permits access to one side of cabinet at a time.

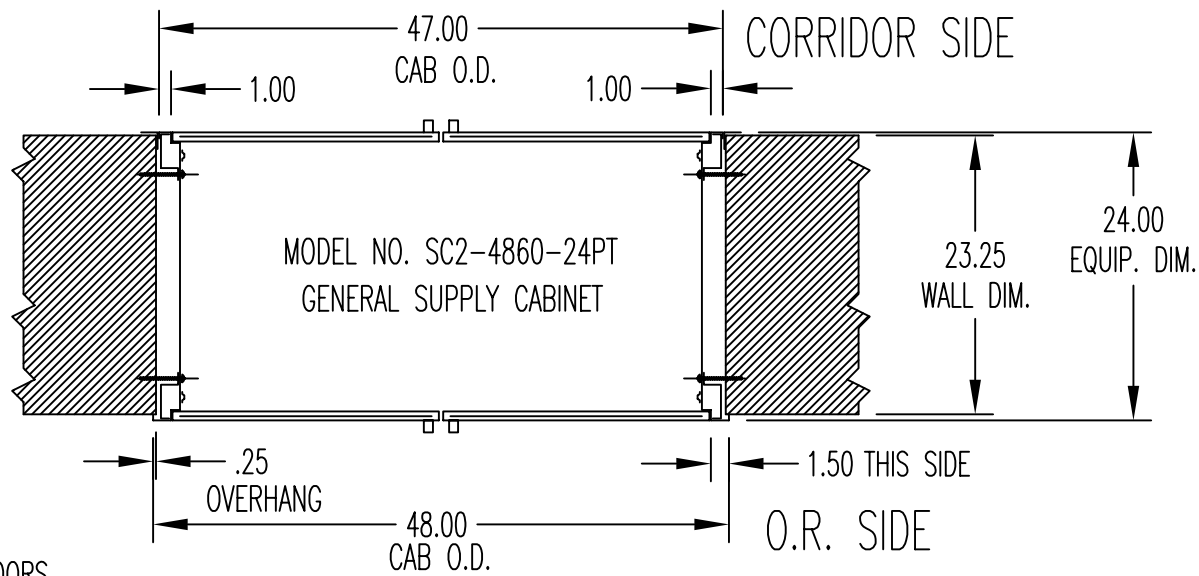
Standard Sizes:

| <u>Model #</u> | <u>Dimensions</u> | <u>Options</u> |
|----------------|--------------------------------|---|
| SC2-2460-18-PT | 24" wide x 60" high x 18" deep | Hinged Glass Doors Stainless Steel Double Pan Doors Two-Point Knob Locks Stainless Steel Finished Top Stainless Steel Finished Ends Gaskets Electronic Interlock System Stainless Steel Pedestal Base Stainless Steel Trim Strips Lead Lined Unit for X-Ray Protection 1/2" Thick Tempered Glass Shelves Custom Sizes LED Interior Lights Fire Rated Options |
| SC2-3660-18-PT | 36" wide x 60" high x 18" deep | |
| SC2-4260-18-PT | 42" wide x 60" high x 18" deep | |
| SC2-4860-18-PT | 48" wide x 60" high x 18" deep | |
| SC2-2460-24-PT | 24" wide x 60" high x 24" deep | |
| SC2-3660-24-PT | 36" wide x 60" high x 24" deep | |
| SC2-4260-24-PT | 42" wide x 60" high x 24" deep | |
| SC2-4860-24-PT | 48" wide x 60" high x 24" deep | |
| SC2-2472-18-PT | 24" wide x 72" high x 18" deep | |
| SC2-3672-18-PT | 36" wide x 72" high x 18" deep | |
| SC2-4272-18-PT | 42" wide x 72" high x 18" deep | |
| SC2-4872-18-PT | 48" wide x 72" high x 18" deep | |
| SC2-2472-24-PT | 24" wide x 72" high x 24" deep | |
| SC2-3672-24-PT | 36" wide x 72" high x 24" deep | |
| SC2-4272-24-PT | 42" wide x 72" high x 24" deep | |
| SC2-4872-24-PT | 48" wide x 72" high x 24" deep | |
| SC2-4872-36-PT | 48" wide x 72" high x 36" deep | |

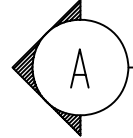
These models are part of our standard product line. Other sizes are available.

Custom Sizes Available

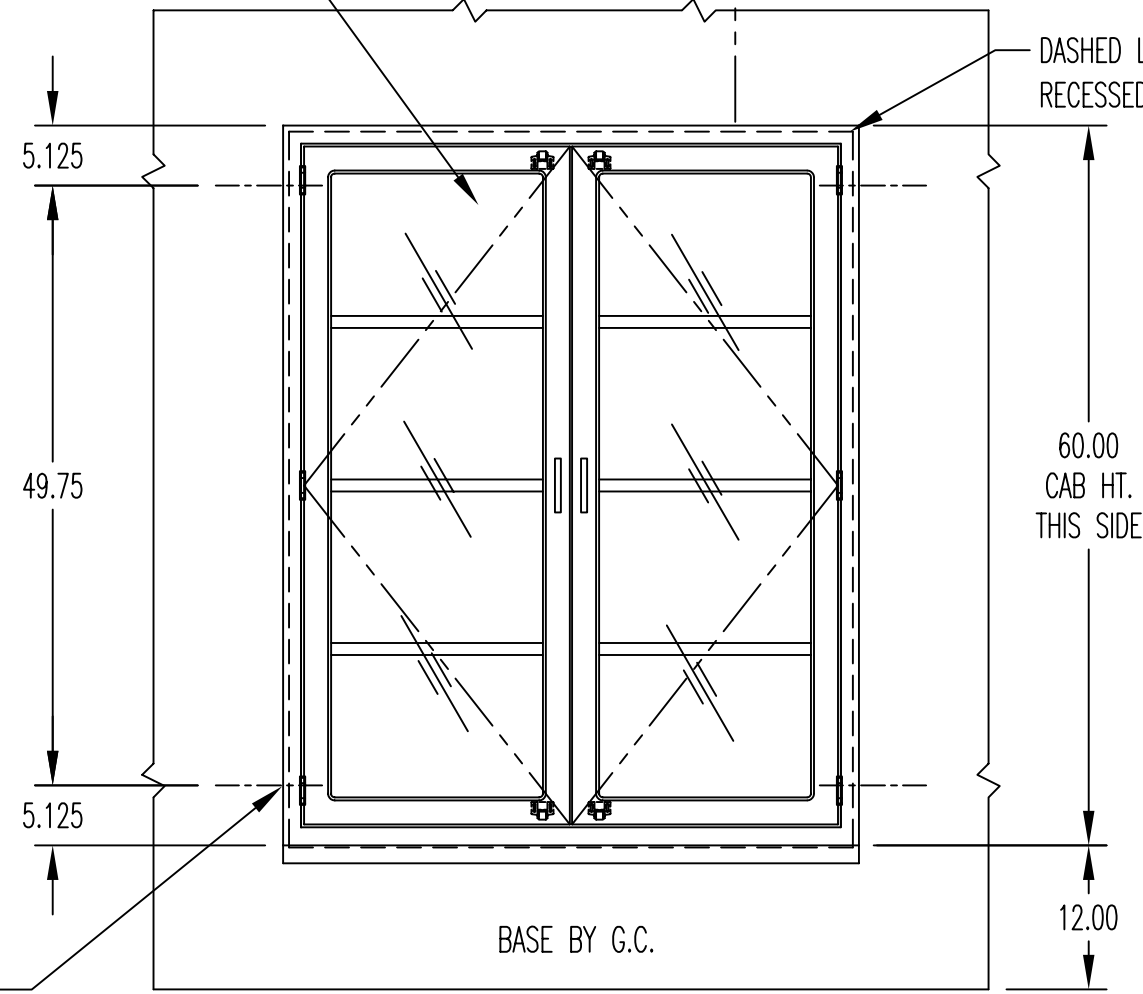
Continental Metal Products Co., Inc. – 35 Olympia Avenue, Woburn, MA 01801
Phone (781) 935-4400 FAX (781) 935-4404 www.continentalmetal.com sales@continentalmetal.com



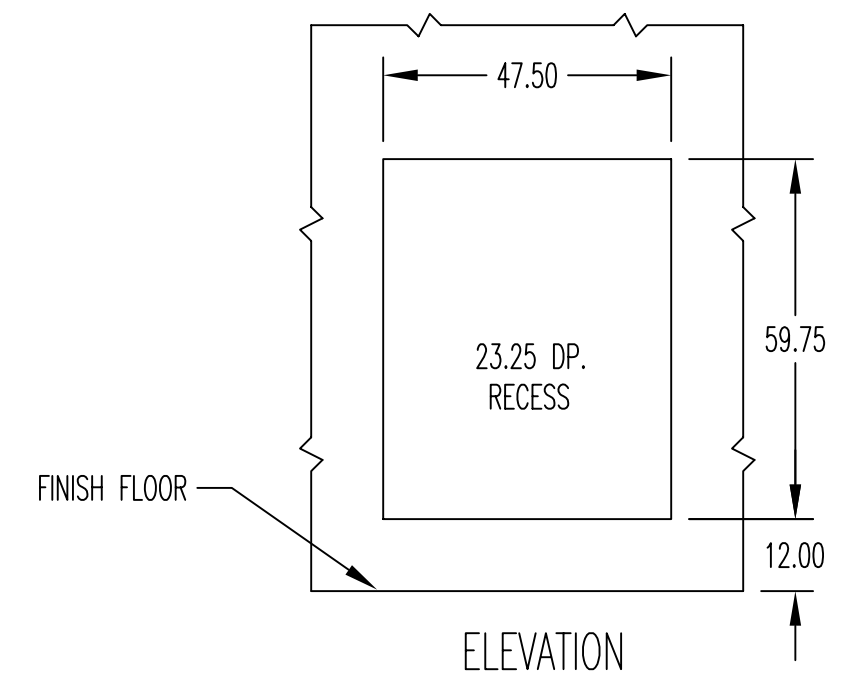
PLAN VIEW



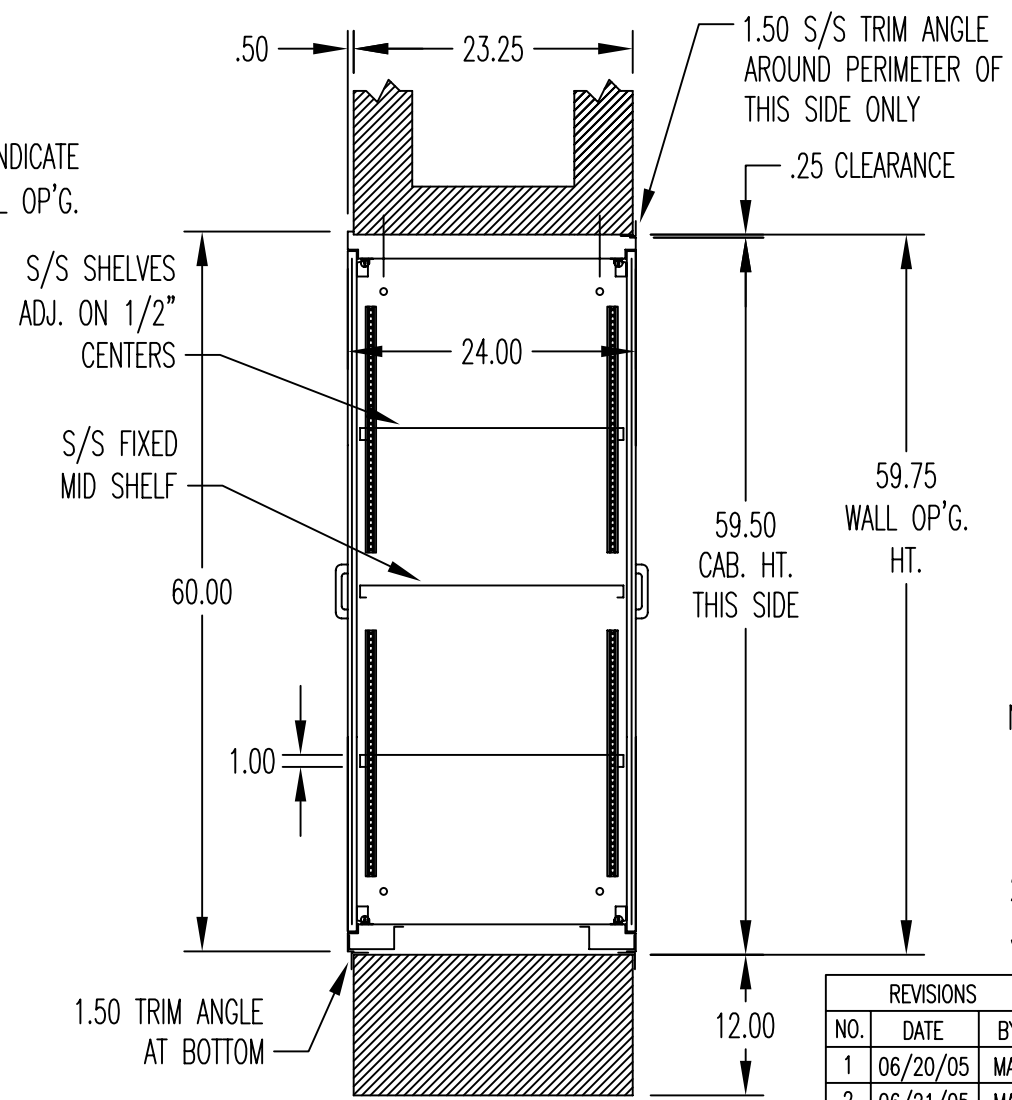
HINGED 1/4" SAFETY GLASS DOORS
W/ FRICTION ROLLER CATCH &
CHROME PLATED PULL HANDLES
(O.R. AND CORRIDOR SIDE)



FRONT ELEVATION



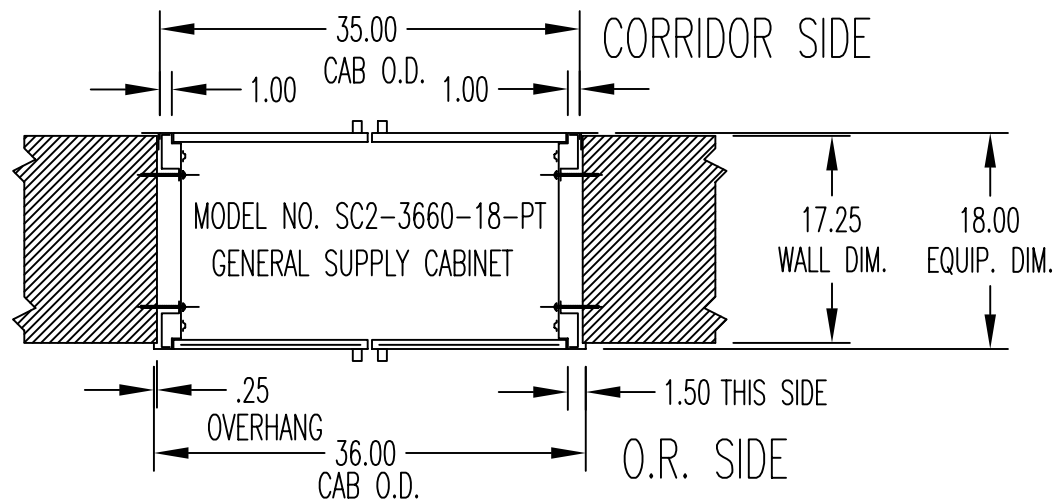
ELEVATION
FINISH WALL OP'G
SCALE: 3/8" = 12"



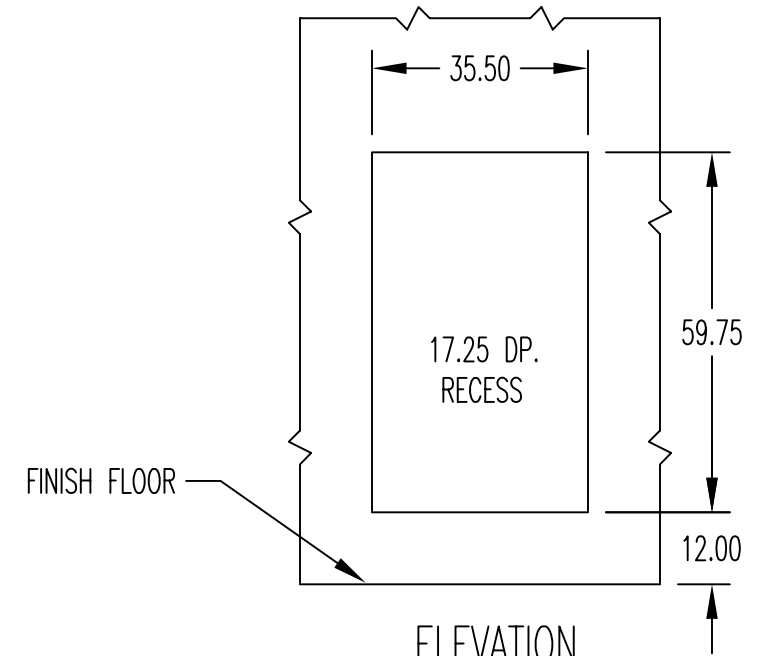
SECTION A

- NOTES:
1. CABINET CONSTRUCTED OF #18 GA. TYPE 304 STAINLESS STEEL W/ FRONTS WELDED AND POLISHED TO #4 FINISH.
 2. BASE SHALL BE BUILT BY G.C.
 3. ALL WALL FASTENERS PROVIDED BY INSTALLERS.

| REVISIONS | | | CONTINENTAL METAL PRODUCTS CO., INC. | | |
|-----------|----------|-----|--------------------------------------|----------------------|------------|
| NO. | DATE | BY | 35 OLYMPIA AVE. - WOBURN, MA. 01888 | | |
| 1 | 06/20/05 | MAL | MODEL NO. SC2-4860-24PT | | |
| 2 | 06/21/05 | MAL | S/S PASS-THRU STORAGE CONSOLES | | |
| | | | SCALE: 3/4"=12" | DATE: 06/01/2005 | DRAWN: MAL |
| | | | SHEET: 1 OF 1 | SYS DWG NO. ACB-1497 | REV 2 |



PLAN VIEW

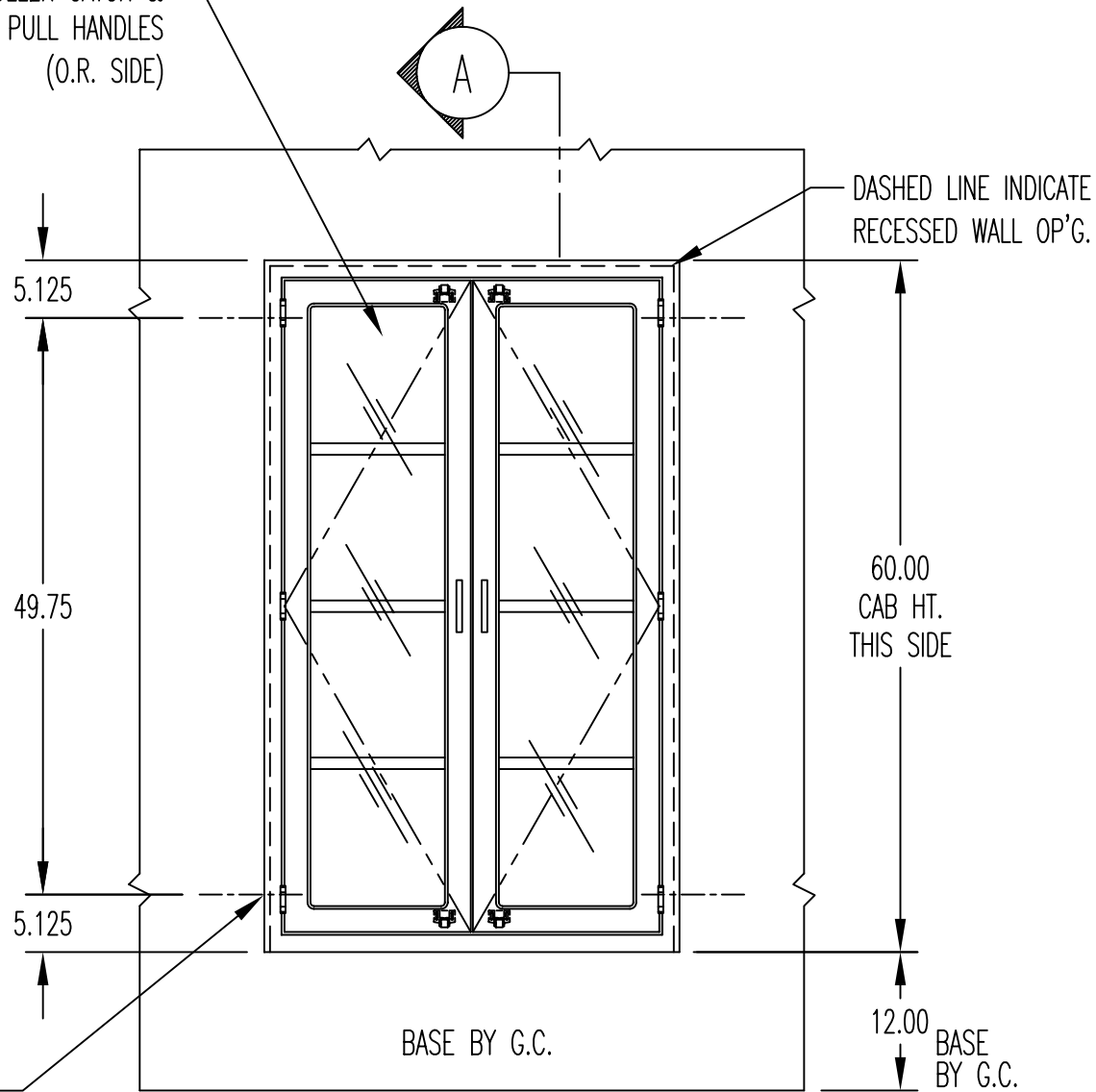


ELEVATION

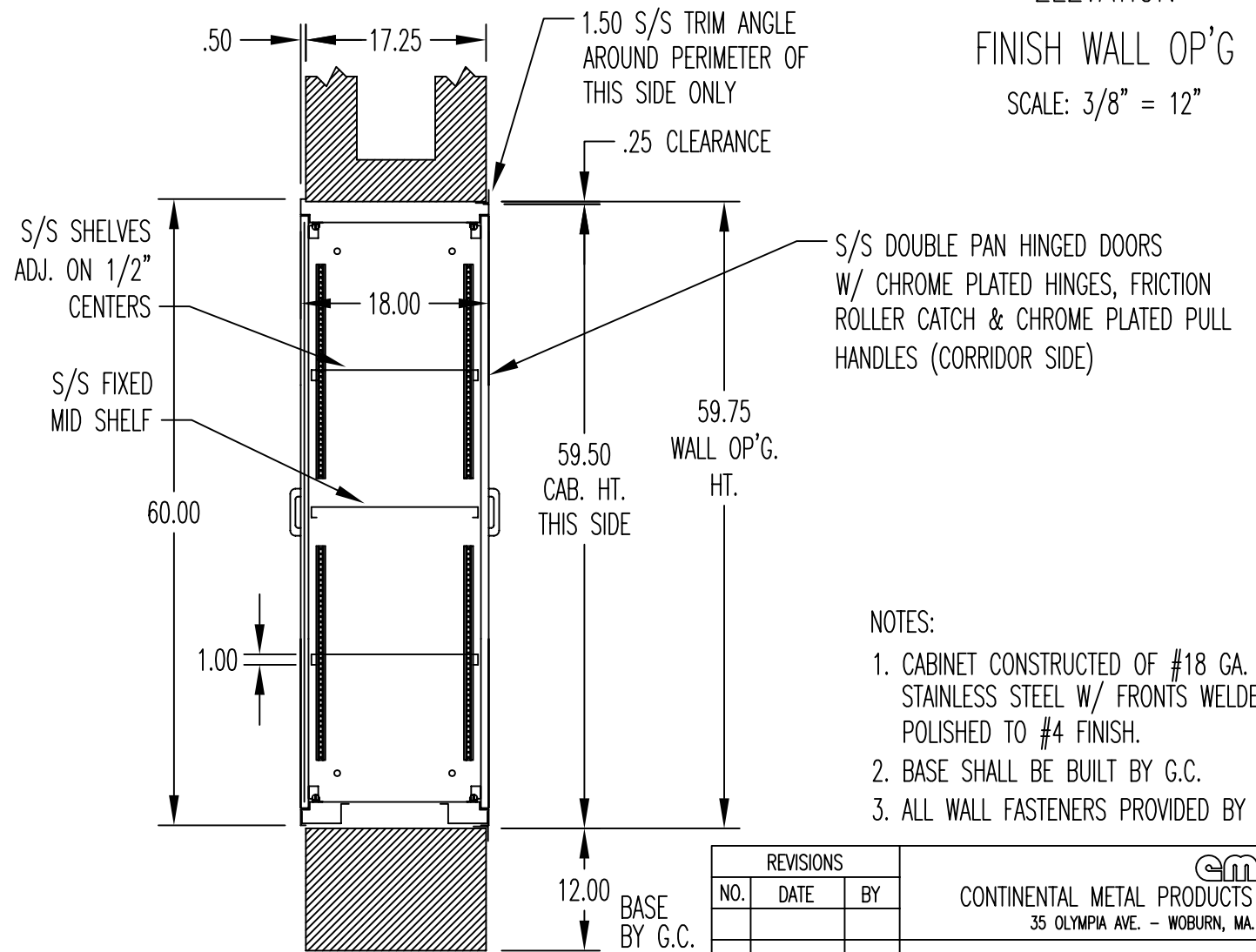
FINISH WALL OP'G

SCALE: 3/8" = 12"

HINGED 1/4" SAFETY GLASS DOORS
W/ FRICTION ROLLER CATCH &
CHROME PLATED PULL HANDLES
(O.R. SIDE)




FRONT ELEVATION

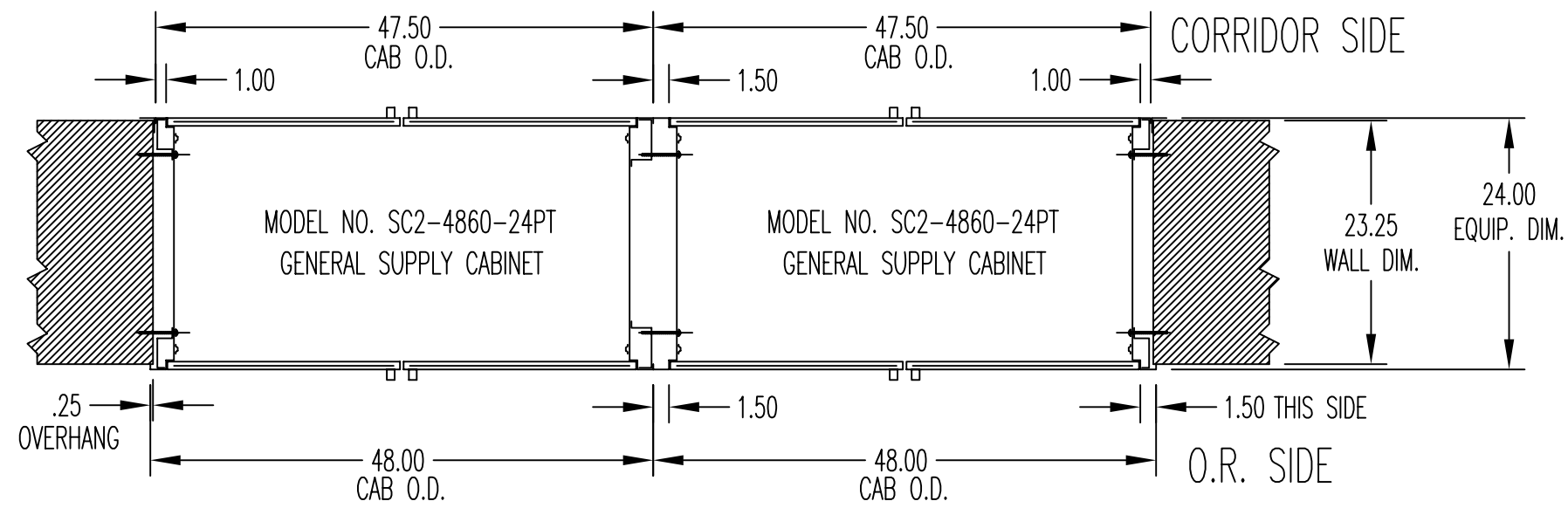


SECTION (A)

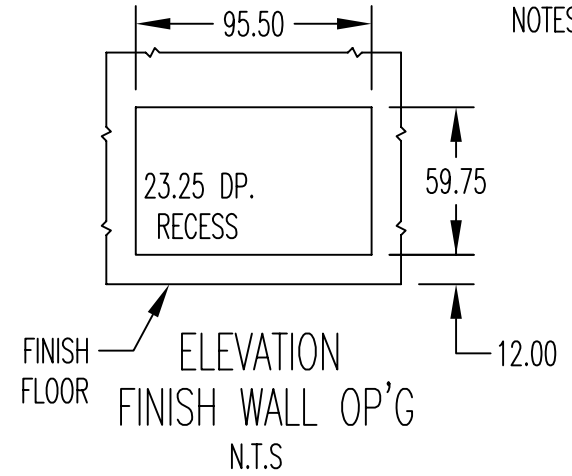
NOTES:

1. CABINET CONSTRUCTED OF #18 GA. TYPE 304 STAINLESS STEEL W/ FRONTS WELDED AND POLISHED TO #4 FINISH.
2. BASE SHALL BE BUILT BY G.C.
3. ALL WALL FASTENERS PROVIDED BY INSTALLERS.

| REVISIONS | | |  CONTINENTAL METAL PRODUCTS CO., INC. 35 OLYMPIA AVE. - WOBURN, MA. 01888 | | |
|-----------|------|----|--|------------------|------------------|
| NO. | DATE | BY | | | |
| | | | MODEL NO. SC2-3660-18-PT | | |
| | | | S/S PASS-THRU STORAGE CONSOLE | | |
| | | | SCALE: 3/4"=12" | DATE: 05/02/2011 | DRAWN: MAL |
| | | | SHEET: 1 OF 1 | SYS AC | DWG NO. ACB-1723 |
| | | | | | REV |

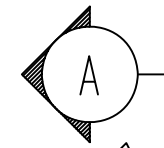


PLAN VIEW

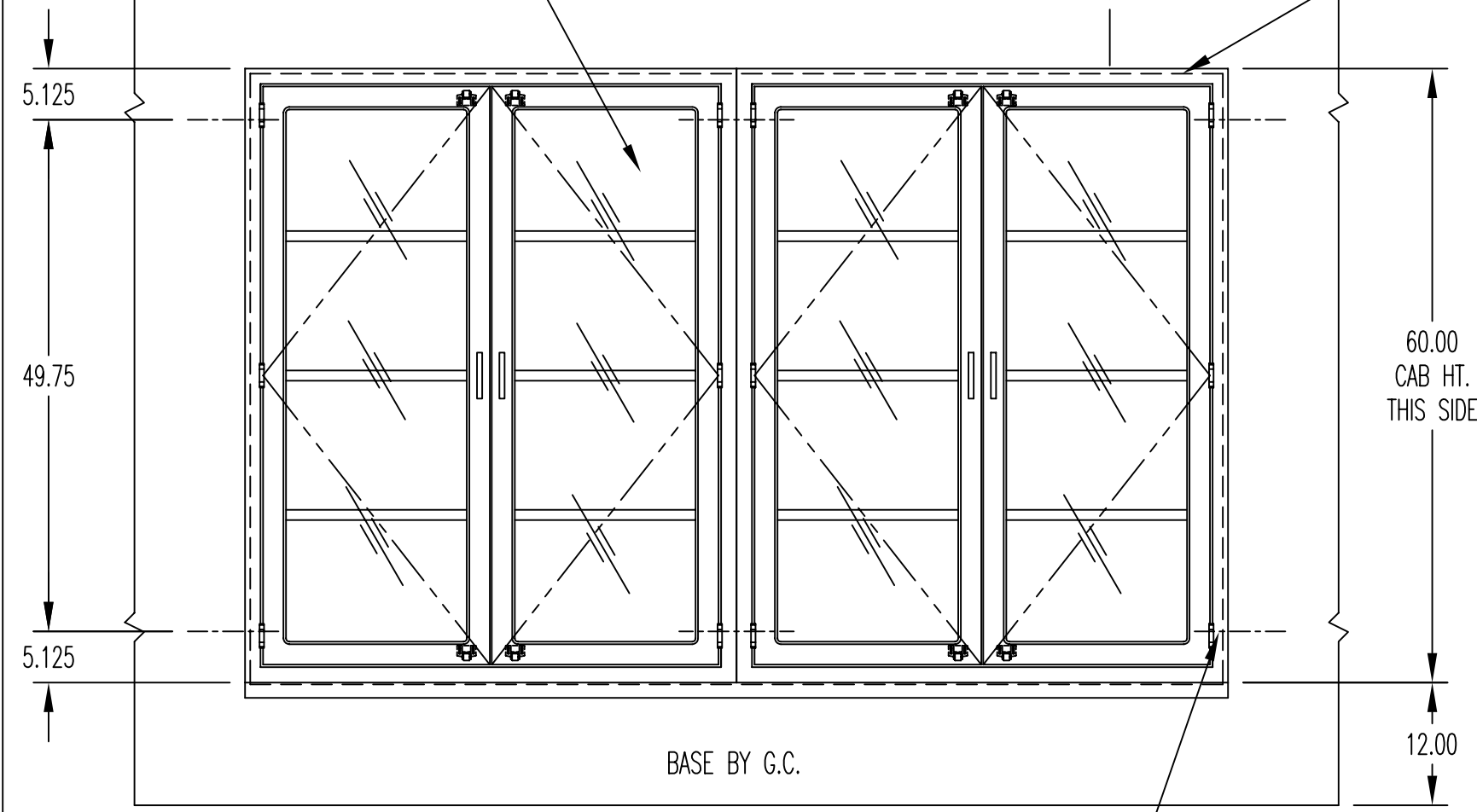


- NOTES: 1. CABINETS CONSTRUCTED OF #18 GA. TYPE 304 STAINLESS STEEL W/ FRONTS WELDED AND POLISHED TO #4 FINISH.
 2. BASE SHALL BE BUILT BY G.C.
 3. ALL WALL FASTENERS PROVIDED BY INSTALLERS.
 4. EACH CABINET SHIPPED IN ONE PIECE, READY FOR FIELD ATTACHMENT TO ADJACENT CABINET AT INSTALLATION.
 5. WALLS ARE DRAWN FOR A TYPICAL INSTALLATION OF PASS THROUGH CABINETS.

HINGED 1/4" SAFETY GLASS DOORS
 W/ FRICTION ROLLER CATCH &
 CHROME PLATED PULL HANDLES
 (O.R. AND CORRIDOR SIDE)

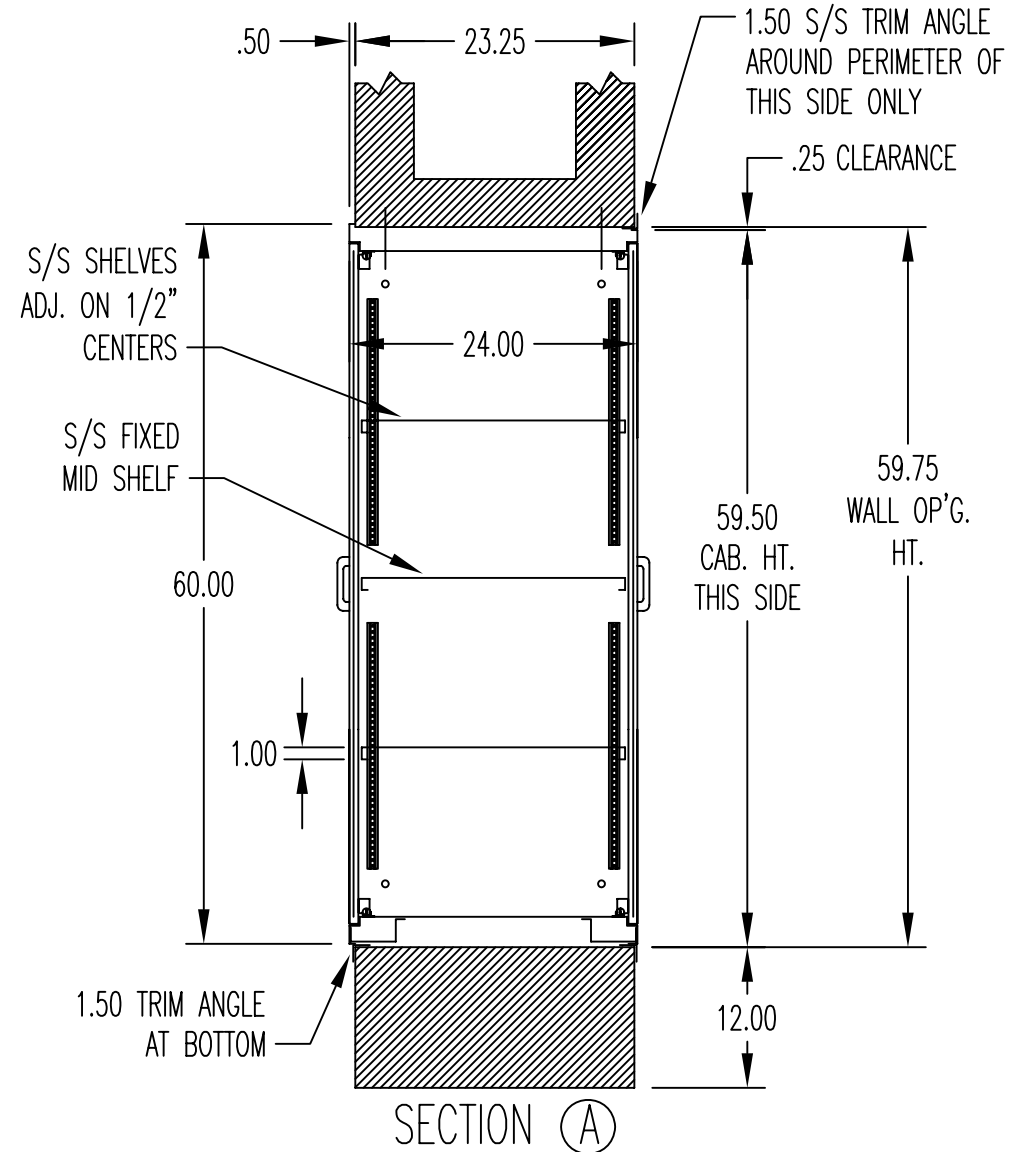


DASHED LINE INDICATE
 RECESSED WALL OP'G.



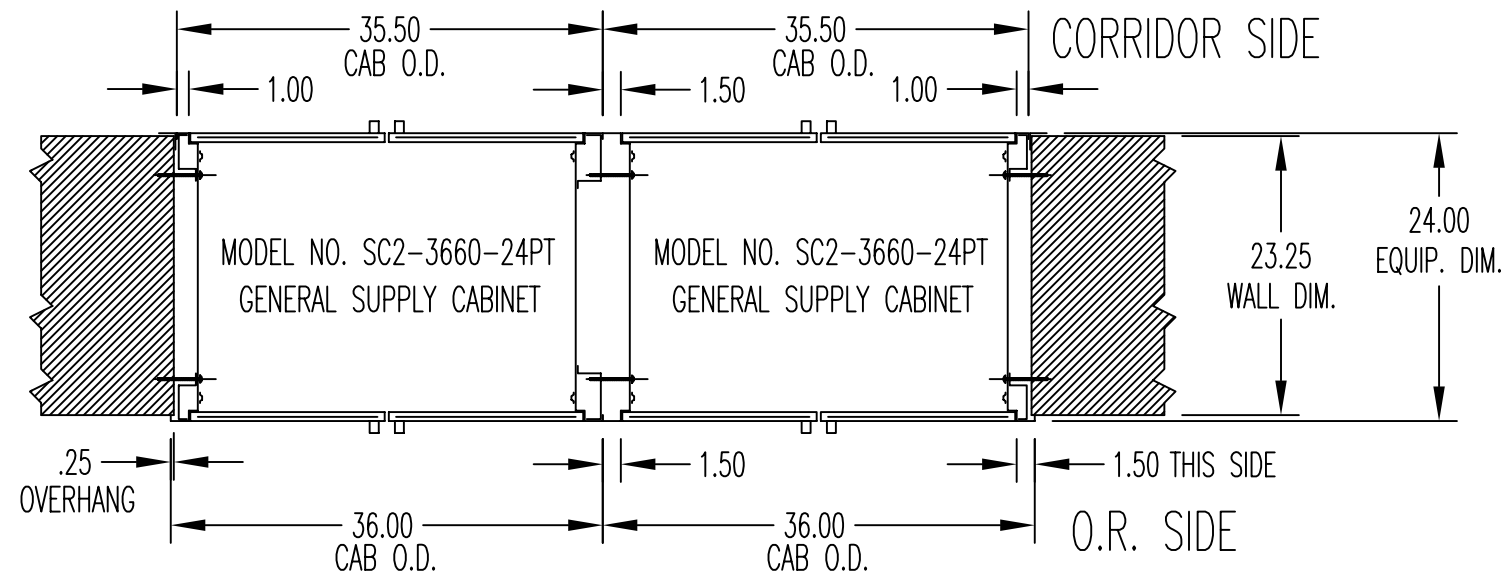
FRONT ELEVATION

C/L OF 5/16" DIA. MTG. HOLES



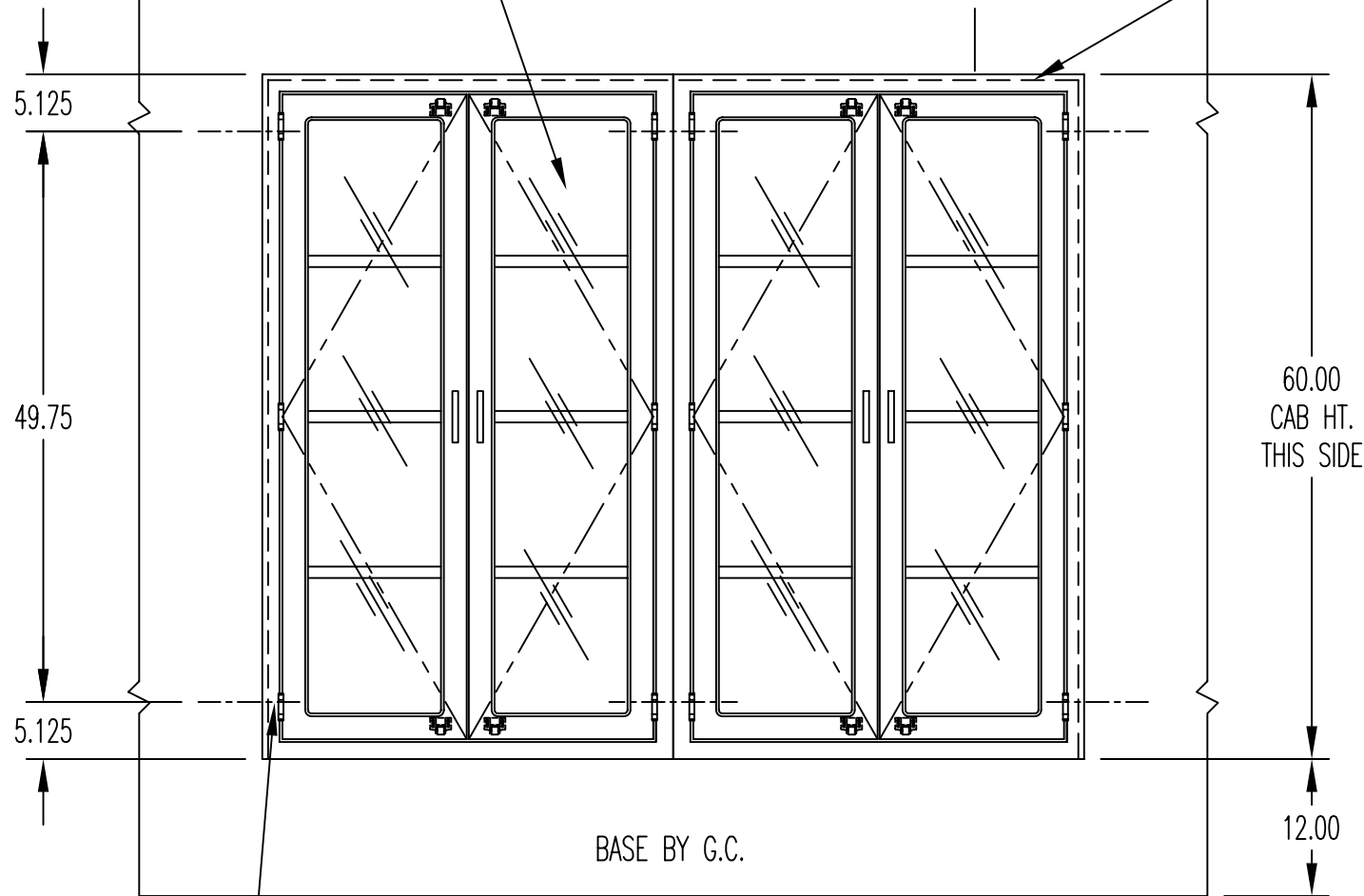
SECTION (A)

| REVISIONS | | | CONTINENTAL METAL PRODUCTS CO., INC. | | |
|-----------|------|----|--------------------------------------|------------------|--------------------|
| NO. | DATE | BY | 35 OLYMPIA AVE. - WOBURN, MA. 01888 | | |
| | | | MODEL NO. SC2-4860-24PT | | |
| | | | S/S PASS-THRU STORAGE CONSOLES | | |
| | | | SCALE: 3/4"=12" | DATE: 12/02/2005 | DRAWN: MAL |
| | | | SHEET: 1 OF 1 | SYS AC | DWG NO. ACB-1526-1 |
| | | | | | REV |



PLAN VIEW

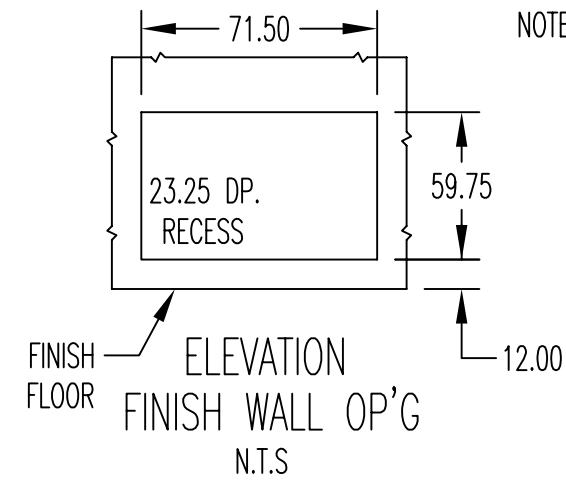
HINGED 1/4" SAFETY GLASS DOORS
W/ FRICTION ROLLER CATCH &
CHROME PLATED PULL HANDLES
(O.R. AND CORRIDOR SIDE)



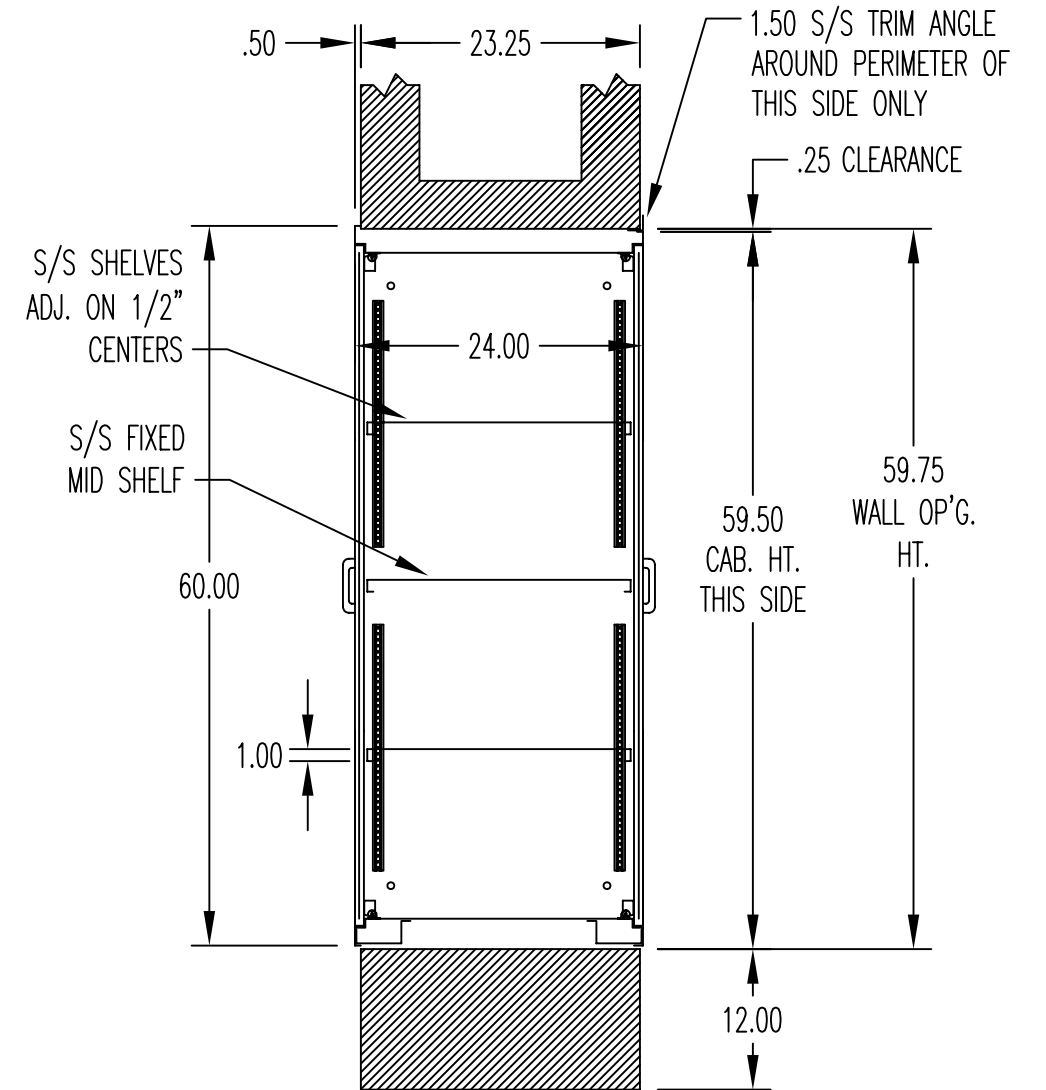
FRONT ELEVATION

C/L OF 5/16"
DIA. MTG. HOLES

BASE BY G.C.



- NOTES:
1. CABINETS CONSTRUCTED OF #18 GA. TYPE 304 STAINLESS STEEL W/ FRONTS WELDED AND POLISHED TO #4 FINISH.
 2. BASE SHALL BE BUILT BY G.C.
 3. ALL WALL FASTENERS PROVIDED BY INSTALLERS.
 4. EACH CABINET SHIPPED IN ONE PIECE, READY FOR FIELD ATTACHMENT TO ADJACENT CABINET AT INSTALLATION.



SECTION (A)

| REVISIONS | | | CONTINENTAL METAL PRODUCTS CO., INC. | | |
|-----------|------|----|--------------------------------------|----------------------|------------|
| NO. | DATE | BY | 35 OLYMPIA AVE. - WOBURN, MA. 01888 | | |
| | | | MODEL NO. SC2-3660-24-PT | | |
| | | | S/S PASS-THRU STORAGE CONSOLES | | |
| | | | SCALE: 3/4"=12" | DATE: 08/25/2008 | DRAWN: MAL |
| | | | SHEET: 1 OF 1 | SYS DWG NO. ACB-1737 | REV |