



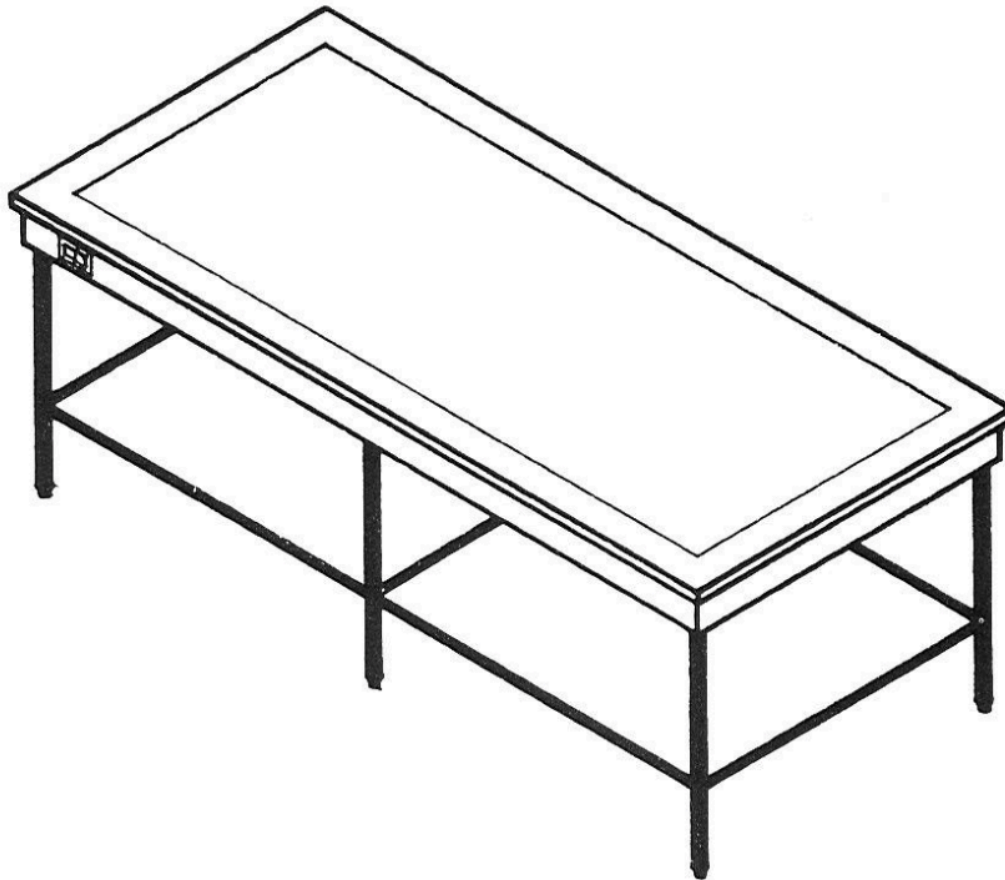
CONTINENTAL METAL PRODUCTS

Stainless Steel Healthcare Equipment
Meeting the Demands of the OR

Stainless Steel Linen Inspection Tables

healthcare division

Proudly Made in the
USA for over 69 years



CMP Linen Inspection Tables are high quality stainless steel tables designed for inspection and folding of hospital linens, drapes and packing wraps. Rips and tears in bedsheets, pillowcases, blankets, towels, etc. can be detected easily and quickly after each laundering. Our Linen Inspection Tables provide a large illuminated work surface that has been designed for the hospital and emergency room environment. CMP current model, high quality stainless steel Linen Inspection Tables have been updated with LED lights to replace the traditional fluorescent striplight. CMP is so confident in our quality and craftsmanship that we offer a two year labor and six year parts warranty.

CMP Model # LI-9644

Outside Area Dimensions: 96" Wide x 44" Deep x 36" High

Features:

- Stainless Steel Construction
- Clear Plexiglass Diffuser
- LED illuminated inspection surface
- Projected life is 50,000 hours at 70% 70lumen output.
- 4000K color temperature (CCT)
- Adjustable Bullet Feet
- Optional Casters with Locks

Continental Metal Products Co., Inc. – 35 Olympia Avenue, Woburn, MA 01801
Phone (781) 935-4400 FAX (781) 935-4404 www.continentalmetal.com sales@continentalmetal.com



CONTINENTAL METAL PRODUCTS

Stainless Steel Healthcare Equipment
Meeting the Demands of the OR

Stainless Steel Linen Inspection Tables

healthcare division

Proudly Made in the
USA for over 69 years



Dimensions:

- Width: 96" (2438 mm)
- Depth: 44" (1118 mm)
- Height: 36" high (914 mm)

Specifications Application:

CMP Linen Inspection is designed for inspection and folding of hospital linens. Rips and tears in bedsheets, pillowcases, blankets, towels, etc. can be detected easily and quickly after laundering. It is best suited for locating in laundry areas.

Construction:

CMP Linen Inspection Tables are constructed of type 304 stainless steel. Welding is done by the Heliarc process. All exposed welding is ground and polished to match the No. 4 finish.

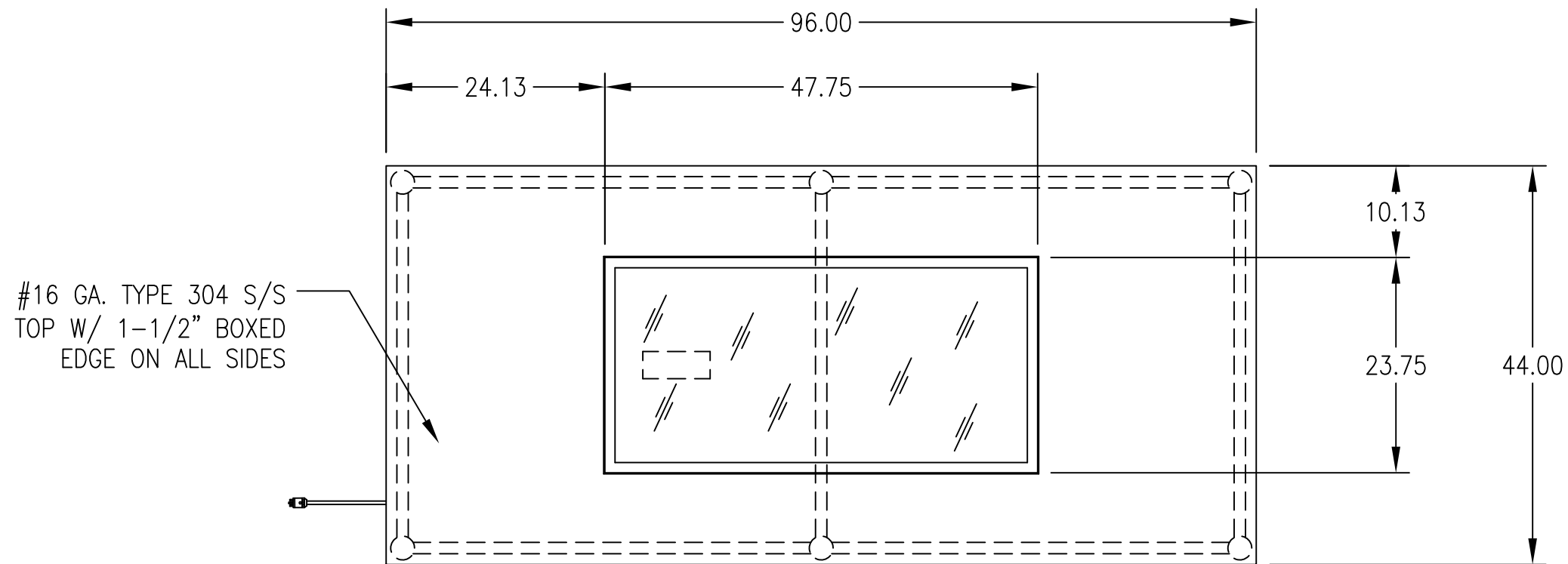
Counter Top:

CMP Linen Inspection Tables have a counter top working surfaces that is 36" high (914 mm). The counter top is constructed of No. 16 gauge (1.5 mm) stainless steel with 1½" (38 mm) boxed perimeter edge all around. The counter top is recessed and fitted with a flush mounted, thick clear translucent Plexiglas diffuser. A LED light panel with continuous air louvers is located directly below the diffuser pane. Lights are pre-wired to a rocker arm light switch and 10 ft. long hospital grade power cord and plug at end of table for connecting to 120V, 60 Hz, single phase electric receptacle. The under structure is supported with six 1 5/8" diameter stainless steel tubular legs with adjustable bullet feet and 1" diameter perimeter cross bracing continuously welded to uprights.

Continental Metal Products Co., Inc. – 35 Olympia Avenue, Woburn, MA 01801

Phone (781) 935-4400 FAX (781) 935-

www.continentalmetal.com sales@continentalmetal.com



#16 GA. TYPE 304 S/S
TOP W/ 1-1/2" BOXED
EDGE ON ALL SIDES

PLAN

1/4" THK. CLEAR
TRANSLUCENT
PLEXIGLASS

100-277V, 50/60HZ
LED LIGHT PANEL, 40W,
4,286 LUMENS

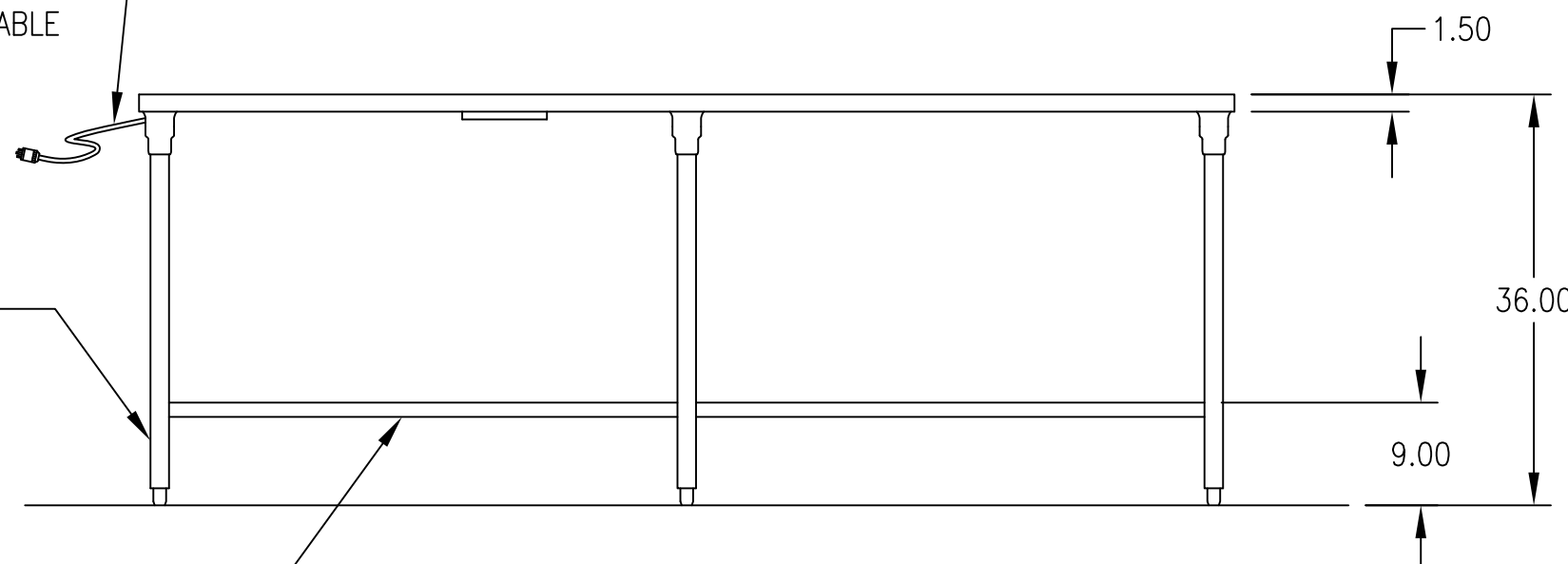
STAINLESS
STEEL
CHANNELS

S/S LEG SOCKET

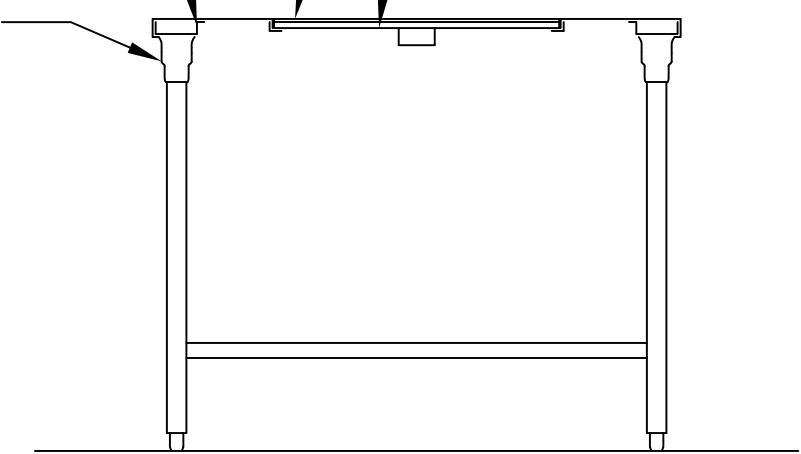
10 FT. LONG POWER CORD
W/ INTEGRAL SWITCH.
NEMA 5-15 OR BS TYPE
G PLUG IS STANDARD.
OTHER PLUGS AVAILABLE

1-5/8" DIA. S/S
TUBULAR LEGS
W/ ADJUSTABLE
BULLET FEET

1-1/4" DIA. TUBULAR
CROSSBRACING




ELEVATION



SECTION

DIMENSIONS ARE IN INCHES

REVISIONS			 CONTINENTAL METAL PRODUCTS CO., INC. 35 OLYMPIA AVE. - WOBURN, MA. 01888		
NO.	DATE	BY			
			MODEL NO. LI9644		
			LINEN INSPECTION TABLE		
			SCALE: 3/4"=12"	DATE: 01/27/2017	DRAWN: PM
			SHEET: 1 OF 1	SYS AC	DWG NO. ACB-1916
					REV