

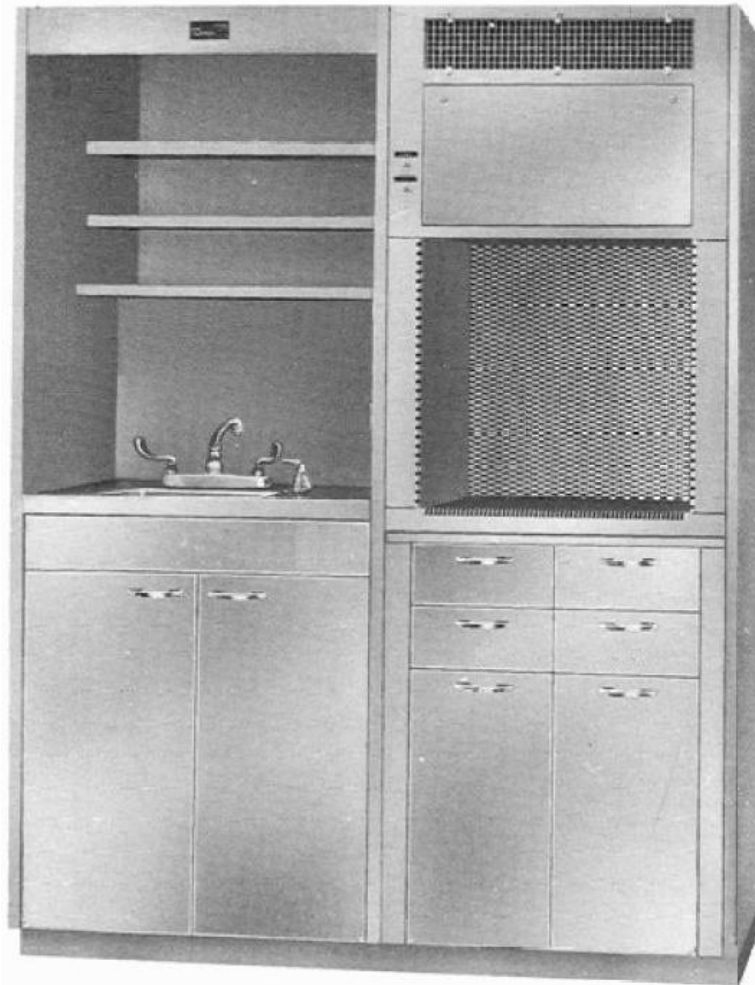


CONTINENTAL METAL PRODUCTS
Stainless Steel Healthcare Equipment
Meeting the Demands of the OR

Model IV6-S Preparation and Storage Center

healthcare division

Proudly Made in the
USA for over 65 years

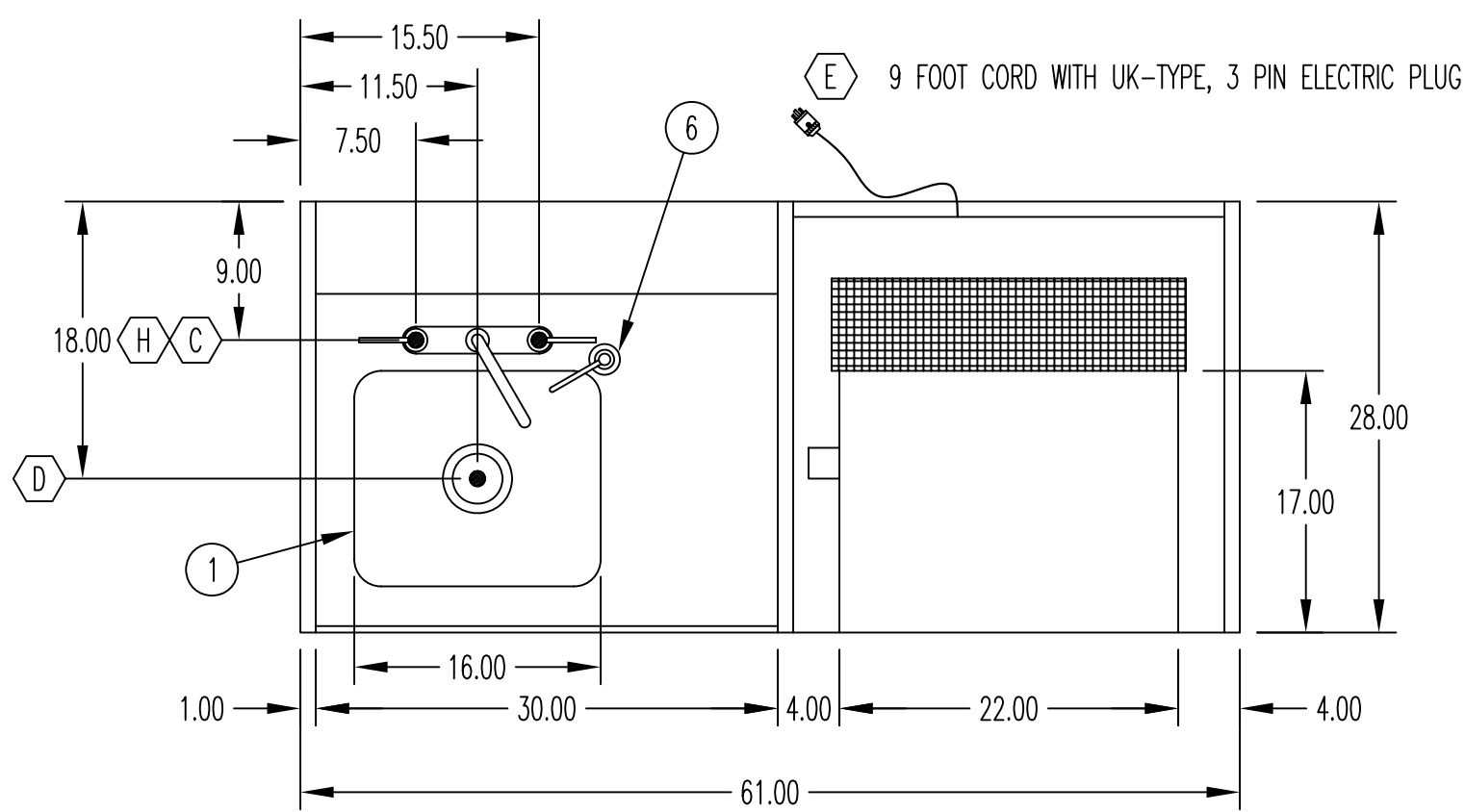


CMP has been building Preparation and Storage Centers for over 65 years. CMP stainless steel Preparation and Storage Centers have been supplied to customers around the world. CMP continues to update and improve the design to meet the needs of our customers. CMP is so confident in our quality and craftsmanship that we offer a one year labor and three year parts warranty.

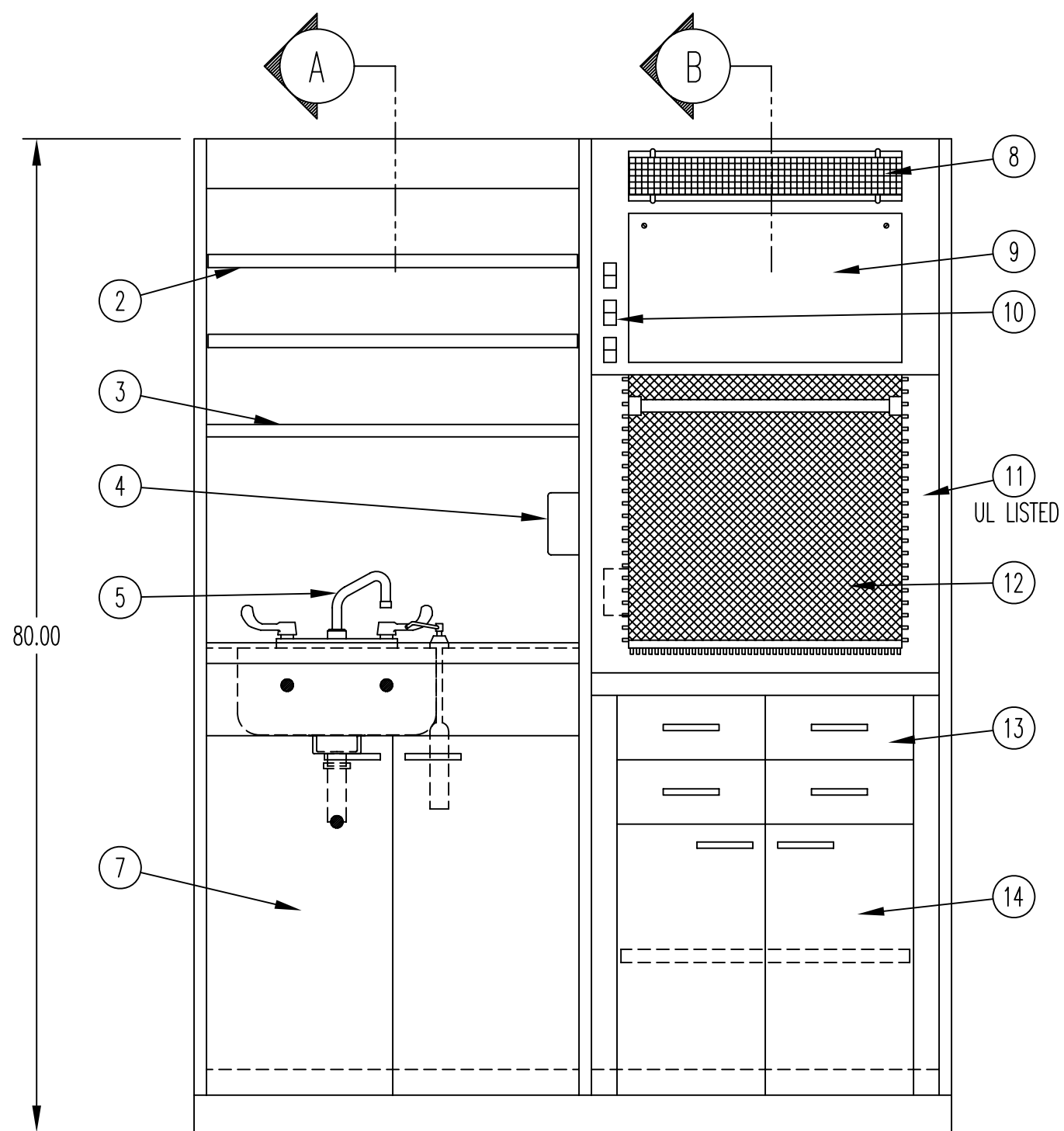
Features:

- Stainless Steel Construction
- Upper Storage Area with Shelves
- Lower Storage with Adj. Shelf
- 16 Ga. Stainless Steel Counter
- 16" x 14" x 7" Integral Sink
- Storage Under Sink
- 120V-60Hz or 220V-50/60Hz
- Laminar Flow Hood (UL Listed) with Light, Pre-filter, HEPA filter and Blower
- Hot and Cold Water Faucet
- Four Drawers
- Paper Towel Dispenser
- Soap Dispenser

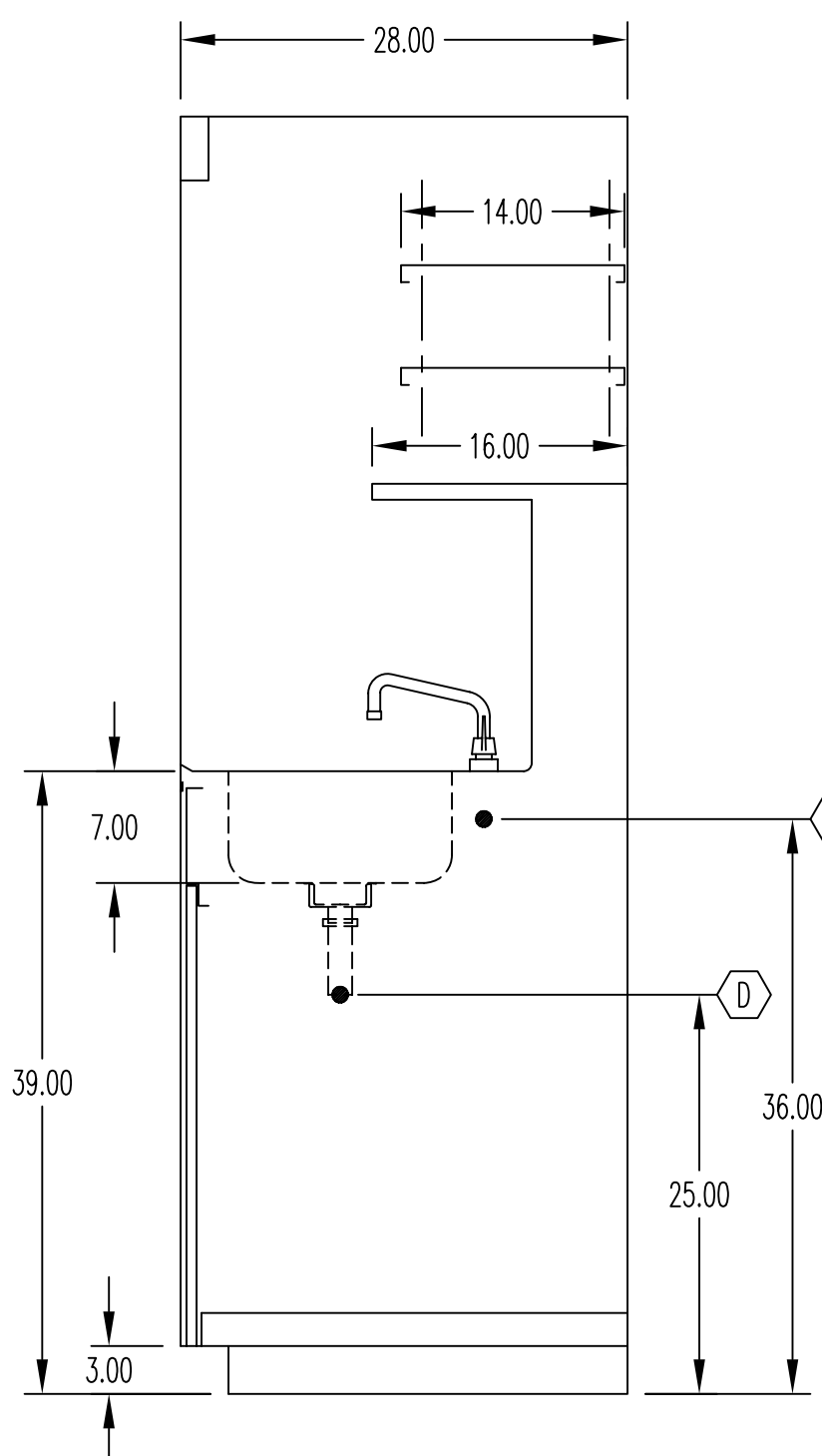
Continental Metal Products Co., Inc. – 35 Olympia Avenue, Woburn, MA 01801
Phone (781) 935-4400 FAX (781) 935-4404 www.continentalmetal.com sales@continentalmetal.com



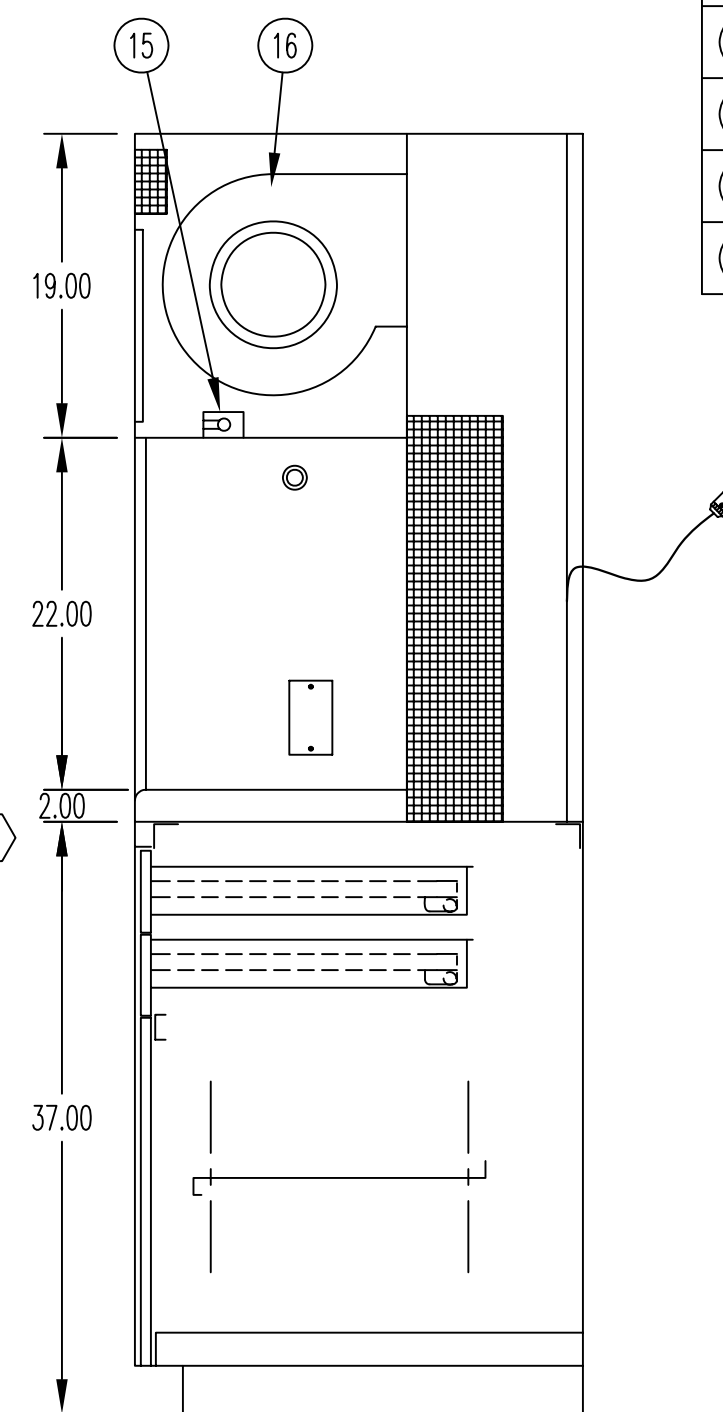
PLAN OF WORKING SURFACE



ELEVATION



SECTION A



SECTION B

IV6-S ALSO AVAILABLE WITH
NEMA 5-15P POWER CORD
115V/60HZ/15AMPS

ITEM	DESCRIPTION
①	#16 GA. S/S COUNTER TOP W/ 16" x 14" x 7" SINK
②	S/S ADJ. SHELVES (2)
③	S/S FIXED SHELF
④	PAPER TOWEL DISPENSER
⑤	HOT & COLD WATER FAUCET W/ SWING SPOUT & WRIST BLADES
⑥	SOAP DISPENSER
⑦	STORAGE COMPARTMENT W/ UTILITY ACCESS
⑧	1" PRE-FILTER
⑨	BLOWER ACCESS COVER
⑩	CIRCUIT BREAKER, BLOWER SWITCH & LIGHT SWITCH
⑪	LAMINAR FLOW CABINET W/ TYPE 304 S/S WORK SURFACE AND WORK AREA SIDEWALLS AND COLD ROLLED STEEL WHITE BAKED ENAMEL EXTERIOR (UL LISTED)
⑫	HEPA FILTER
⑬	(4) STORAGE DRAWERS
⑭	STORAGE CABINET W/ ADJ. SHELF
⑮	FLUORESCENT LAMP PROVIDING UP TO 75 FOOT CANDLES LIGHTING
⑯	1/6 HP BLOWER

REQUIRED SERVICES	
H	1/2" I.P.S. HOT WATER
C	1/2" I.P.S. COLD WATER
D	1-1/2" O.D. WASTE
E	220V/60HZ/15AMPS OUTLET FOR CORD & PLUG

NOTES:

- ALL EXPOSED SURFACES CONSTRUCTED OF TYPE 304 S/S, POLISHED TO NO. 4 FINISH, UNLESS OTHERWISE NOTED.
- ALL SERVICES SHALL BE ROUGHED IN AT REAR OF UNIT. DIMENSIONS INDICATED ARE TO POINTS OF CONNECTION. ALLOWANCES MUST BE MADE FOR VALVES AND TRAPS.
- DIMENSIONS ARE IN INCHES.

REVISIONS			 CONTINENTAL METAL PRODUCTS CO., INC. 35 OLYMPIA AVE. - WOBURN, MA. 01888	
NO.	DATE	BY		
1	03/06/14	MAL	MODEL IV6-S MEDICINE/IV PREPARATION AND STORAGE CENTER SCALE: 1" = 12" DATE: 08/15/2012 DRAWN: MAL	
SHEET: 1 OF 1			SYS AC	DWG NO. ACC-1772
				REV 1

LAMINAR FLOW HOOD IS UL LISTED