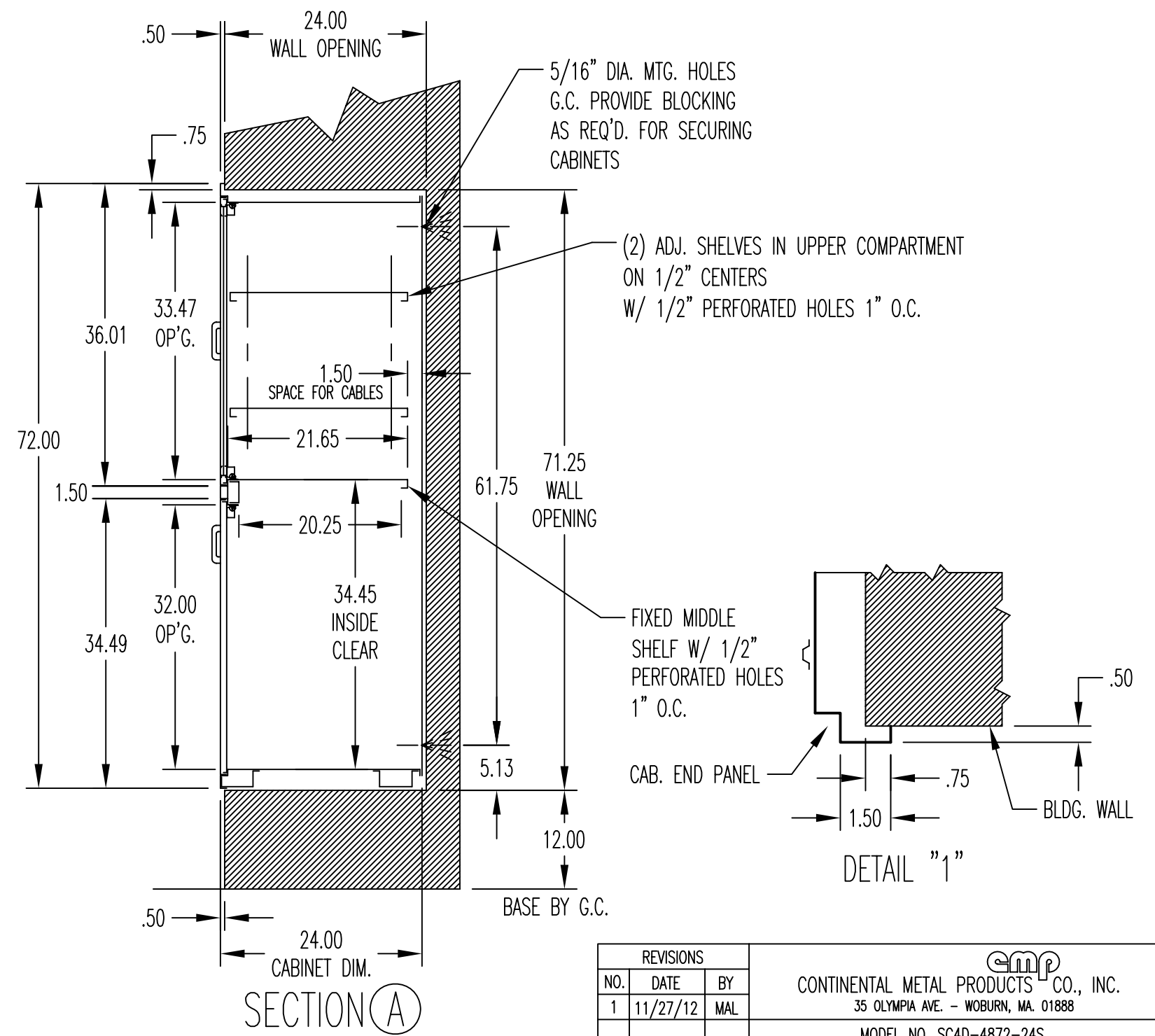
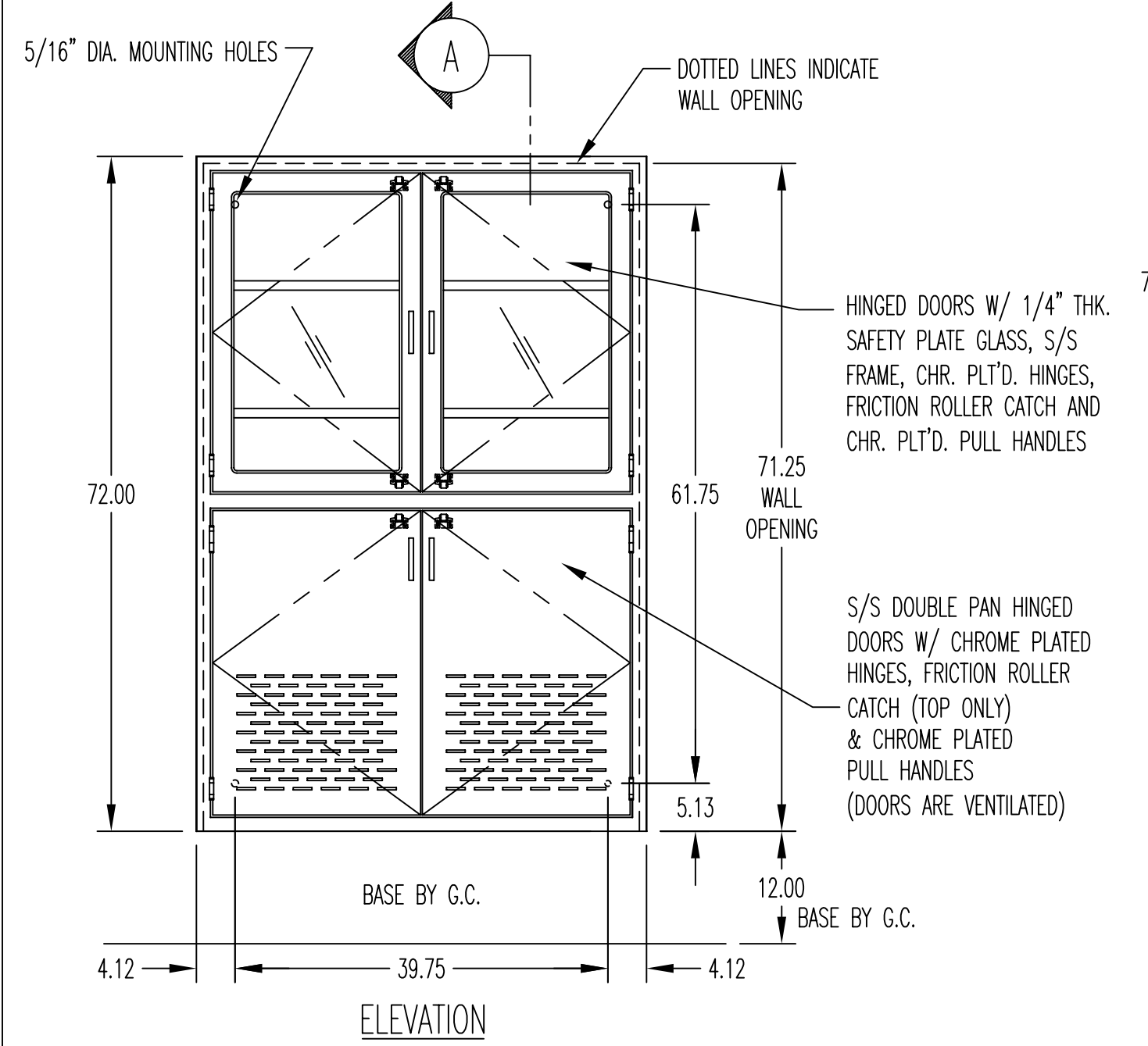


- NOTES:
1. CABINET CONSTRUCTED OF #18 GA. TYPE 304 STAINLESS STEEL W/ FRONTS WELDED AND POLISHED TO #4 FINISH.
 2. ALL WALL FASTENERS FURNISHED BY INSTALLERS.



REVISIONS			 CONTINENTAL METAL PRODUCTS CO., INC. 35 OLYMPIA AVE. - WOBURN, MA. 01888		
NO.	DATE	BY			
1	11/27/12	MAL	MODEL NO. SC4D-4872-24S STAINLESS STEEL ELECTRONICS CABINET		
SCALE: 3/4"=12"			DATE: 11/26/2012	DRAWN: MAL	
SHEET: 1 OF 1			SYS AC	DWG NO. ACB-1780	REV 1